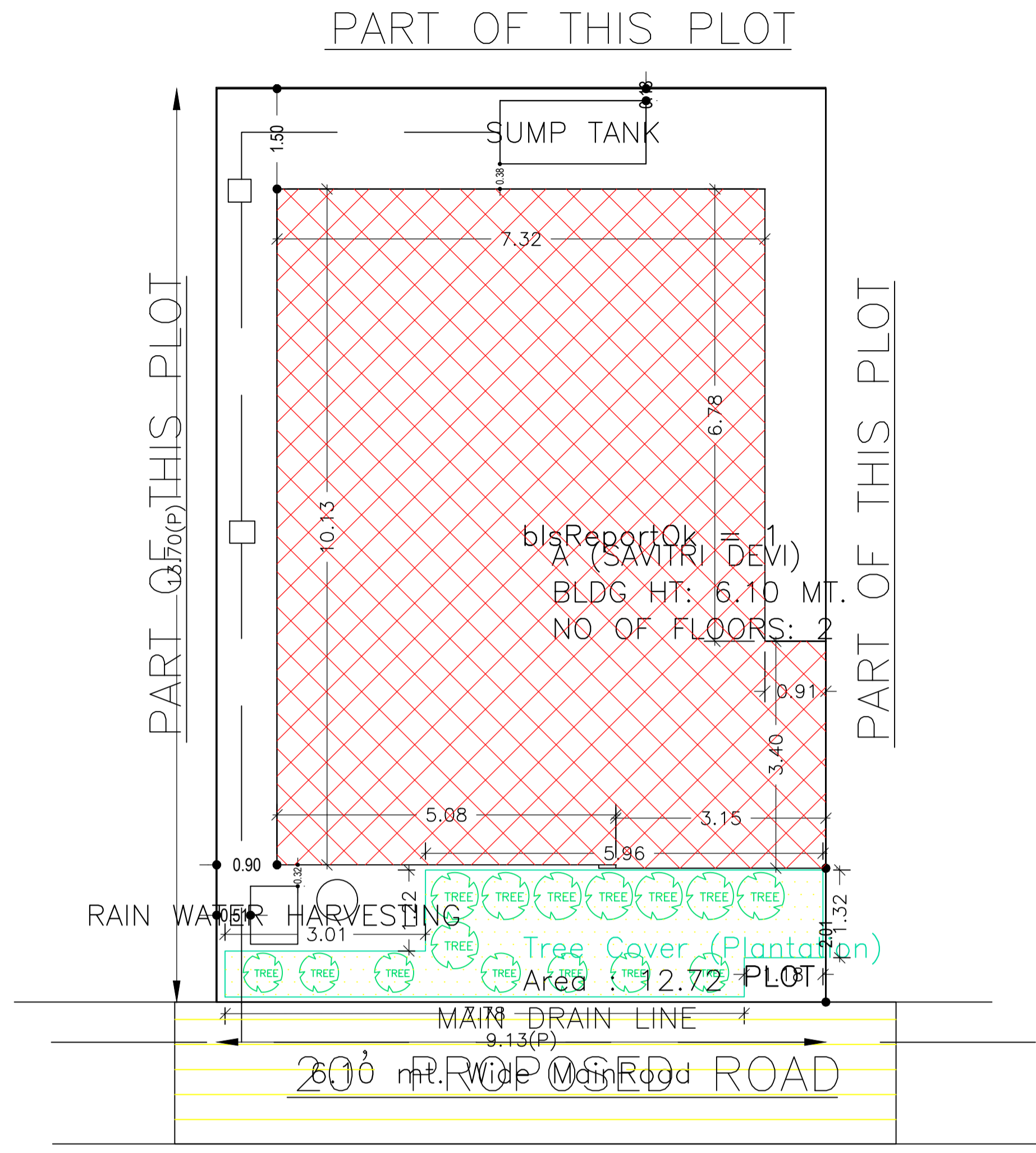


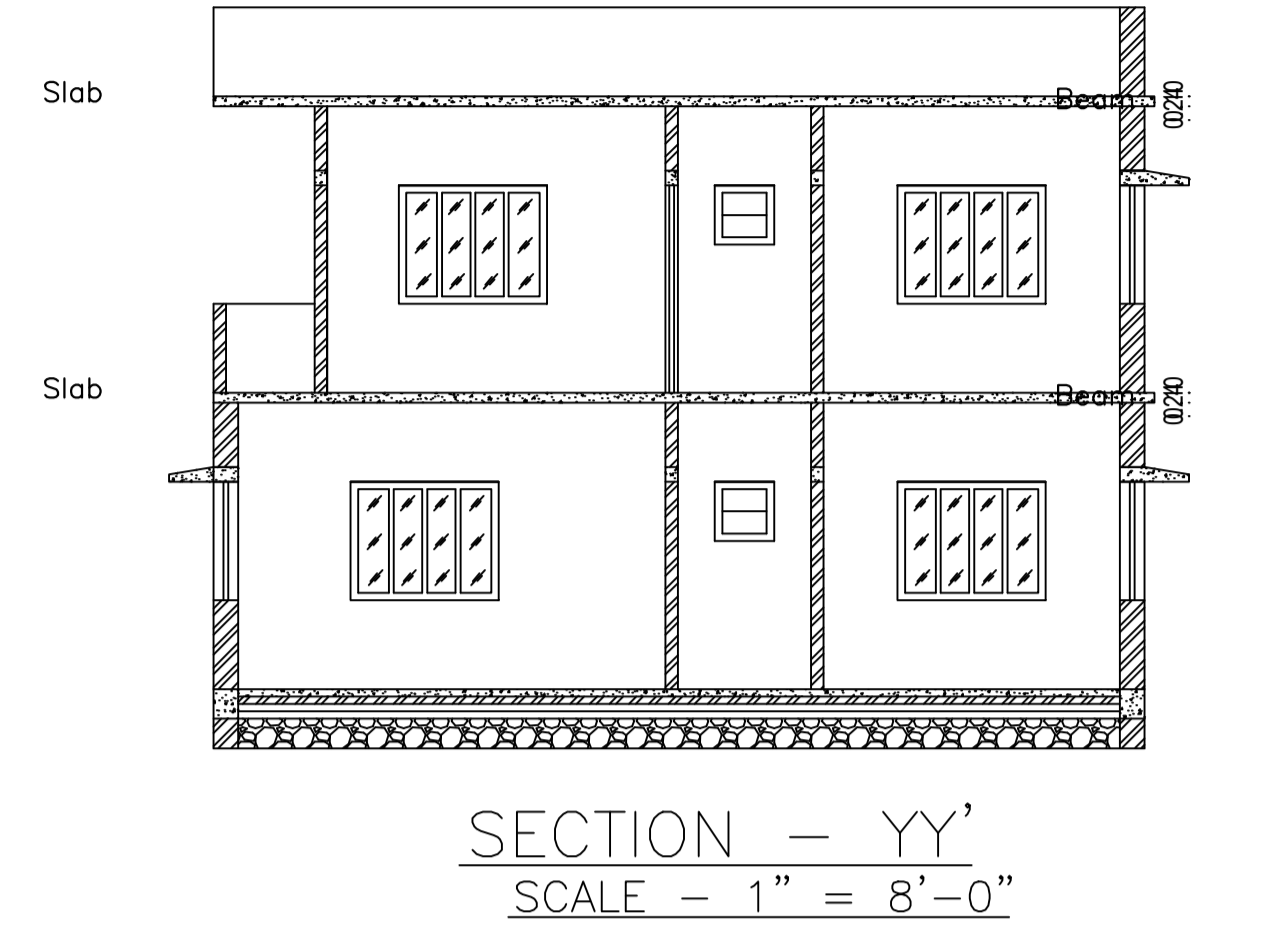
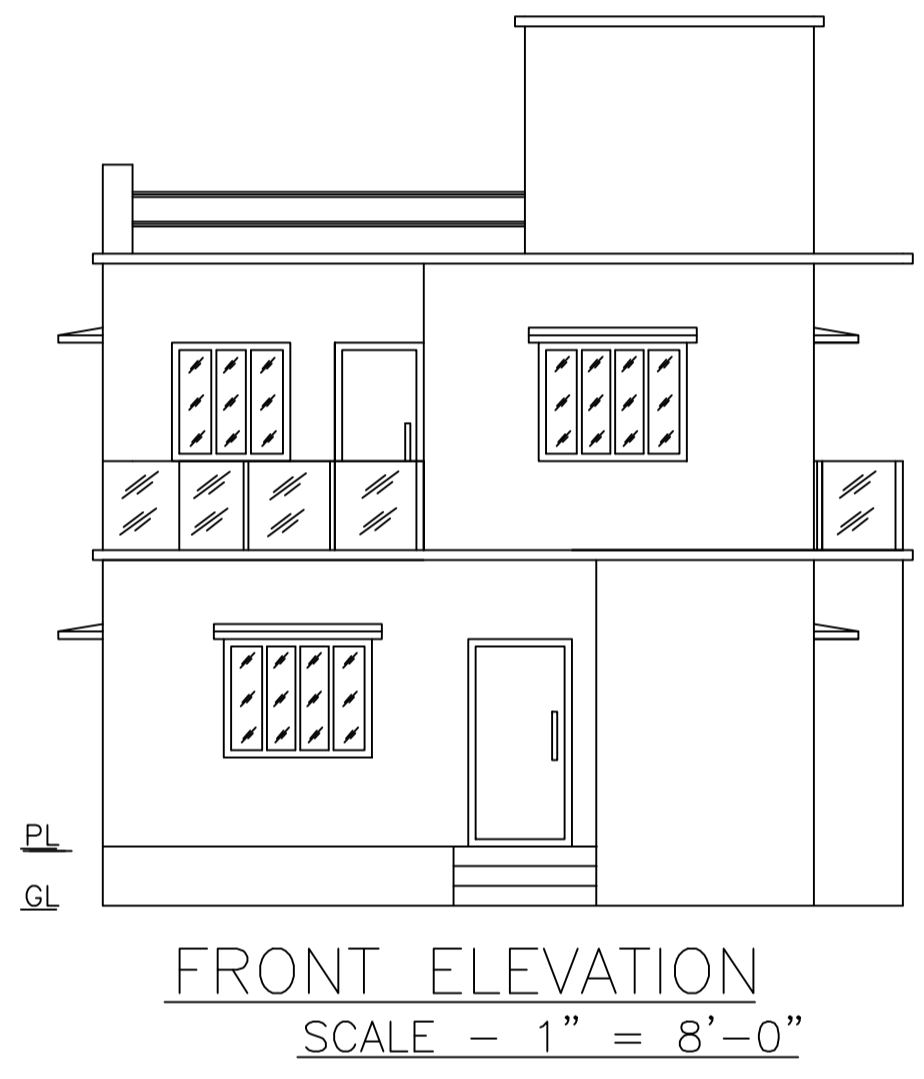
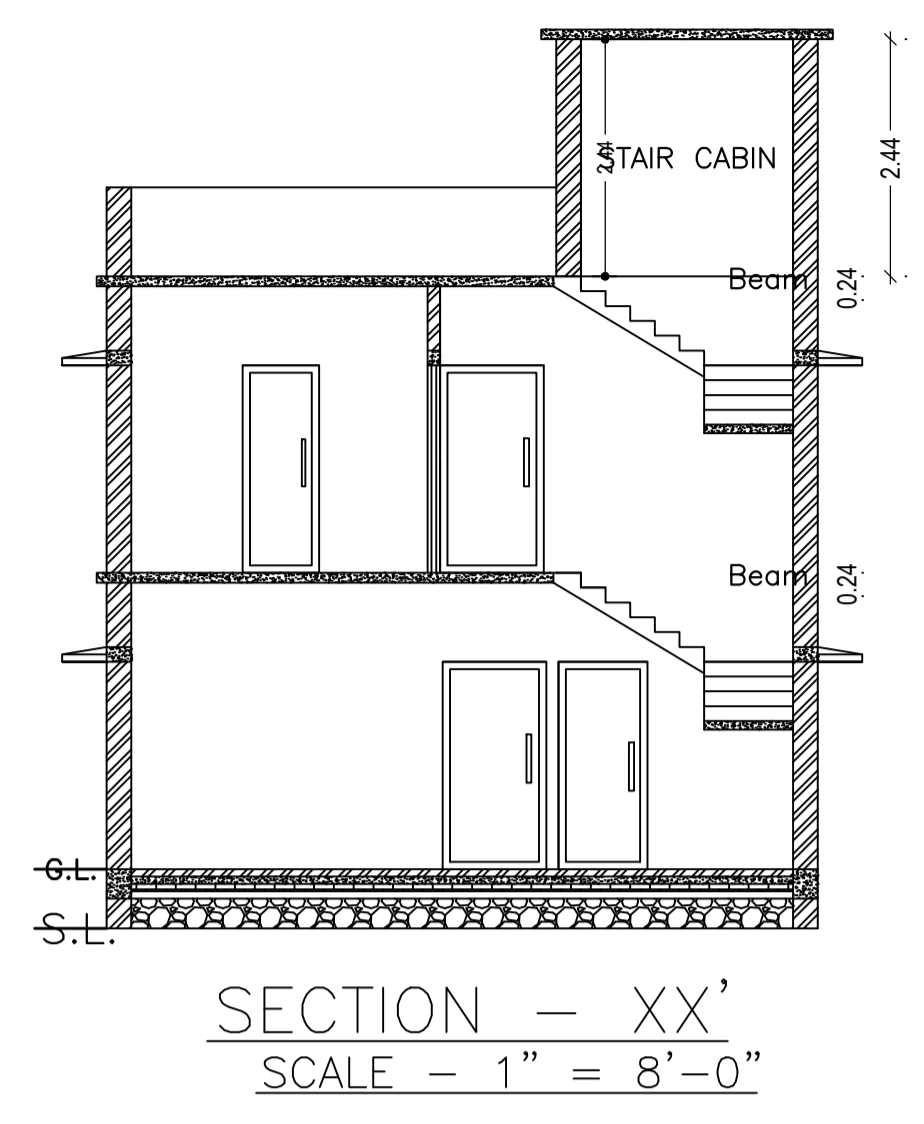
Proposal Basic Information

Proposal File No.	MADA/BP/0044/2024
Owner Name	SMT. SAVITRI DEVI
Khata No	OLD KHATA NO-17, NEW KHATA NO-241
Plot No	OLD PLOT NO-301, NEW PLOT NO-367
Village Name	Bara Nawaland
Use	Residential
SubUse	Bungalow/ Dwelling / Non Apartment

AREA STATEMENT MINERAL AREA DEVELOPMENT AUTHORITY	VERSION NO.: 1.0.68 VERSION DATE: 16/10/2020
PROJECT DETAIL:	
Region: JHARKHAND URBAN LOCAL BODIES	Plot Use: Residential
District: DHANBAD	Plot SubUse: Bungalow/ Dwelling / Non Apartment
Authority: MINERAL AREA DEVELOPMENT AUTHORITY	PlotNearby/ReligiousStructure: NA
Inward No: MADA/BP/0044/2024	Plot/SubPlot No: OLD PLOT NO-301, NEW PLOT NO-367
Application Type: General Proposal	North: Plot No. - SAME PLOT
Project Type: Building Permission	South: Plot No. - SAME PLOT
Nature of Development: New	East: Road Width - 6.10
Location of Development Area: Old Area	West: Plot No. - SAME PLOT
AREA DETAILS:	
AREA OF PLOT (Minimum)	(A) 125.10
NET AREA OF PLOT(Gross Plot Area - Deduction from Gross Plot area)	(A-Deductions) 125.10
Deduction for Balance Plot Area(from Gross Plot Area)	
Common Plot	12.72
Total	12.72
BALANCE AREA OF PLOT(Net Plot Area - Recreational/Amenity spaces)	(A-Deductions) 112.38
PLOT AREA FOR COVERAGE(Net Plot Area)	(A-Deductions) 125.10
Plot Area for FAR (Net Plot Area + RoadWidening Area)	(A-Deductions) 125.10
COVERAGE CHECK	
Permissible Coverage area (70.00 %)	87.57
Proposed Coverage Area (61.84 %)	77.36
Total Prop. Coverage Area (61.84 %)	77.36
Balance coverage area (8.16 %)	10.21
FAR CHECK	
Perm. FAR Area (2.500)	312.75
Total Perm. FAR area	312.75
Residential FAR	154.56
Proposed FAR Area	154.56
Total Proposed FAR Area	154.56
Consumed FAR (Factor)	1.24
Balance FAR Area	158.19
BUILT UP AREA CHECK	
Total Proposed BuiltUp Area	154.56
ARCHITECT (Regd)	RAM PRATAP SINGH
ENGINEER (Regd)	
SUPERVISOR (Regd)	
OWNER (Regd)	SMT. SAVITRI DEVI
DEVELOPMENT AUTHORITY LOCAL BODY	



SITE PLAN
SCALE - 1" = 16'-0"



UnitBUA Table for Building :A (SAVITRI DEVI)

FLOOR	Name	UnitBUA Type	UnitBUA Area	Carpet Area	No. of Rooms	No. of Tenement
GROUND FLOOR PLAN	SPLIT A	FLAT	154.56	154.34	6	1
FIRST FLOOR PLAN	SPLIT A	FLAT	0.00	0.00	9	0
Total:	-	-	154.56	154.34	15	1

SCHEDULE OF DOOR:

BUILDING NAME	NAME	LENGTH	HEIGHT	NOS
A (SAVITRI DEVI)	D	0.76	2.10	04
A (SAVITRI DEVI)	D	0.91	2.10	04
A (SAVITRI DEVI)	D	1.07	2.10	04
A (SAVITRI DEVI)	D	1.23	2.10	01

SCHEDULE OF WINDOW/VENTILATION:

BUILDING NAME	NAME	LENGTH	HEIGHT	NOS
A (SAVITRI DEVI)	V	0.61	1.20	03
A (SAVITRI DEVI)	W	0.91	1.20	04
A (SAVITRI DEVI)	W	1.22	1.20	04
A (SAVITRI DEVI)	W	1.52	1.20	07

Building :A (SAVITRI DEVI)

Floor Name	Total Built Up Area (Sq.mt.)	Proposed FAR Area (Sq.mt.) Resi.	Total FAR Area (Sq.mt.)	Total Consumed Additional FAR Area (Sq.mt.)	Trmt (No.)
Ground Floor	77.36	77.36	77.36	77.36	01
First Floor	77.20	77.20	77.20	77.20	00
Terrace Floor	0.00	0.00	0.00	0.00	00
Total:	154.56	154.56	154.56	154.56	01
Total Number of Same Buildings	1				
Total:	154.56	154.56	154.56	154.56	01

COLOR INDEX

PLOT BOUNDARY	Black
ABUTTING ROAD	Red
PROPOSED CONSTRUCTION	Green
COMMON PLOT	Yellow
ROAD WIDENING AREA	Blue
EXISTING (To be retained)	Orange
EXISTING (To be demolished)	Purple

Buildingwise Floor FAR Details

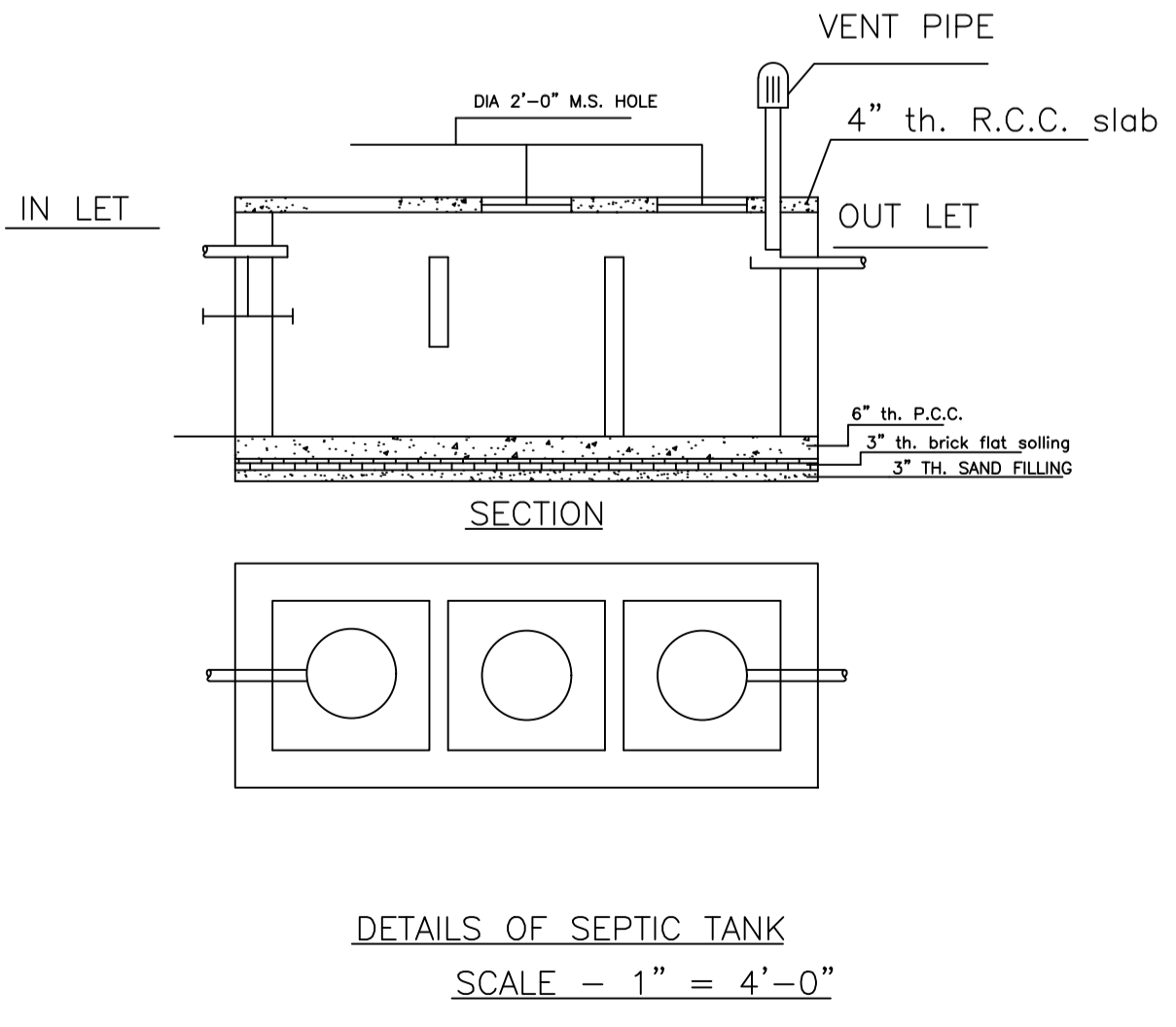
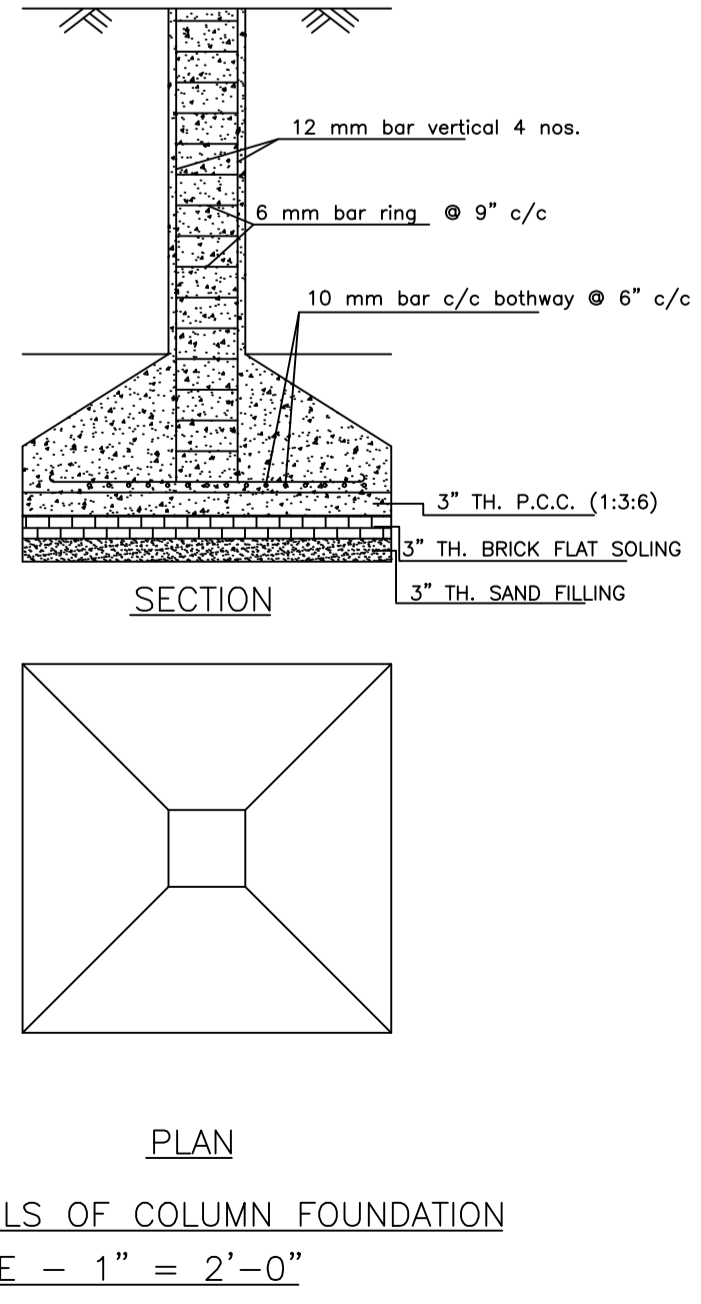
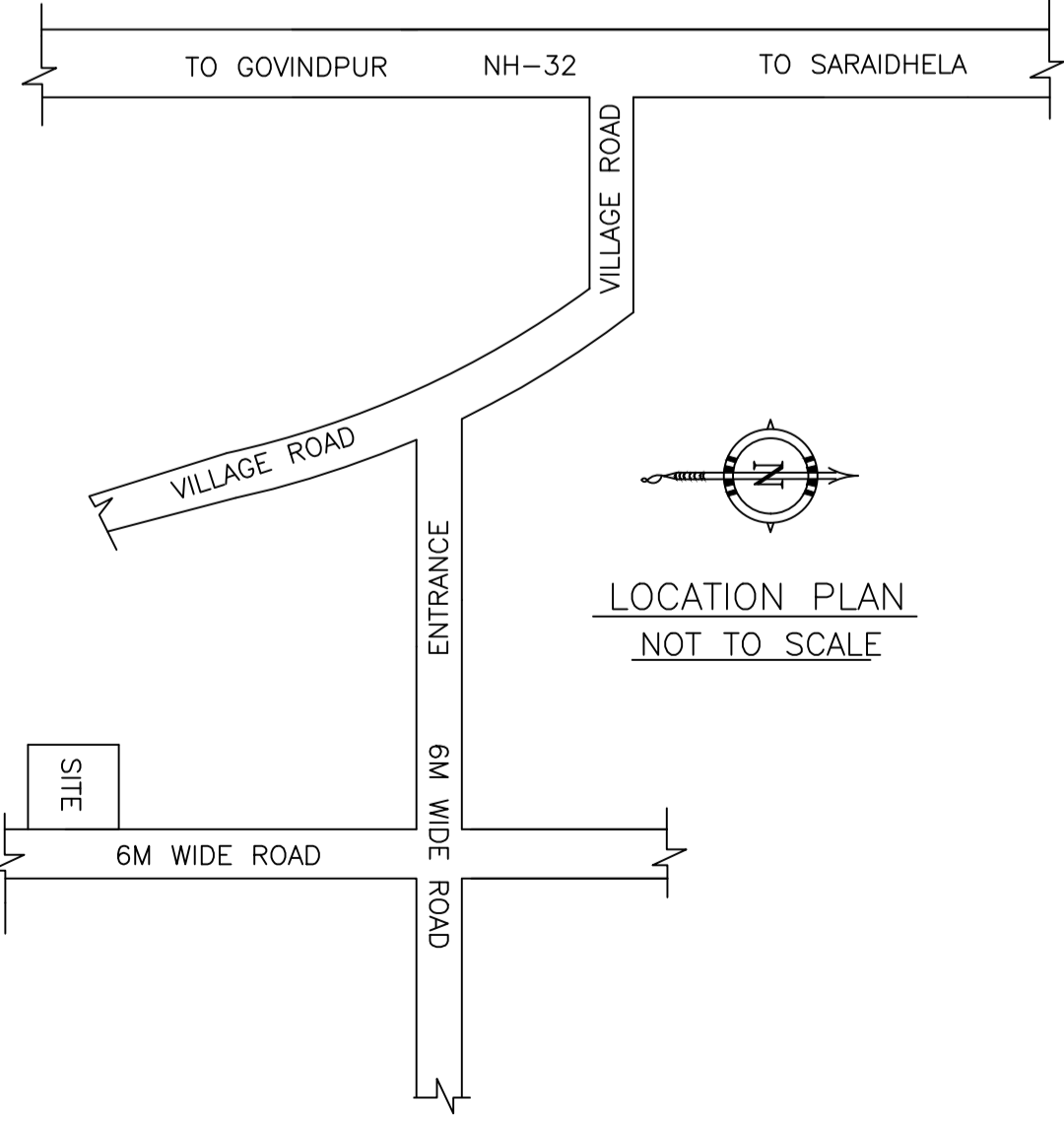
Floor Name	Building Name A (SAVITRI DEVI)		Total	
	Proposed Built Up Area (Sq.mt.)	Proposed FAR Area (Sq.mt.)	Total Proposed Built Up Area (Sq.mt.)	Total FAR Area (Sq.mt.)
Ground Floor	77.36	77.36	77.36	77.36
First Floor	77.20	77.20	77.20	77.20
Terrace Floor	0.00	0.00	0.00	0.00
Total:	154.56	154.56	154.56	154.56

Building USE/SUBUSE Details

Building Name	Building Use	Building SubUse	Building Structure
A (SAVITRI DEVI)	Residential	Bungalow/ Dwelling / Non Apartment	Non-Highrise

FAR & Tenement Details (Table 4c-1)

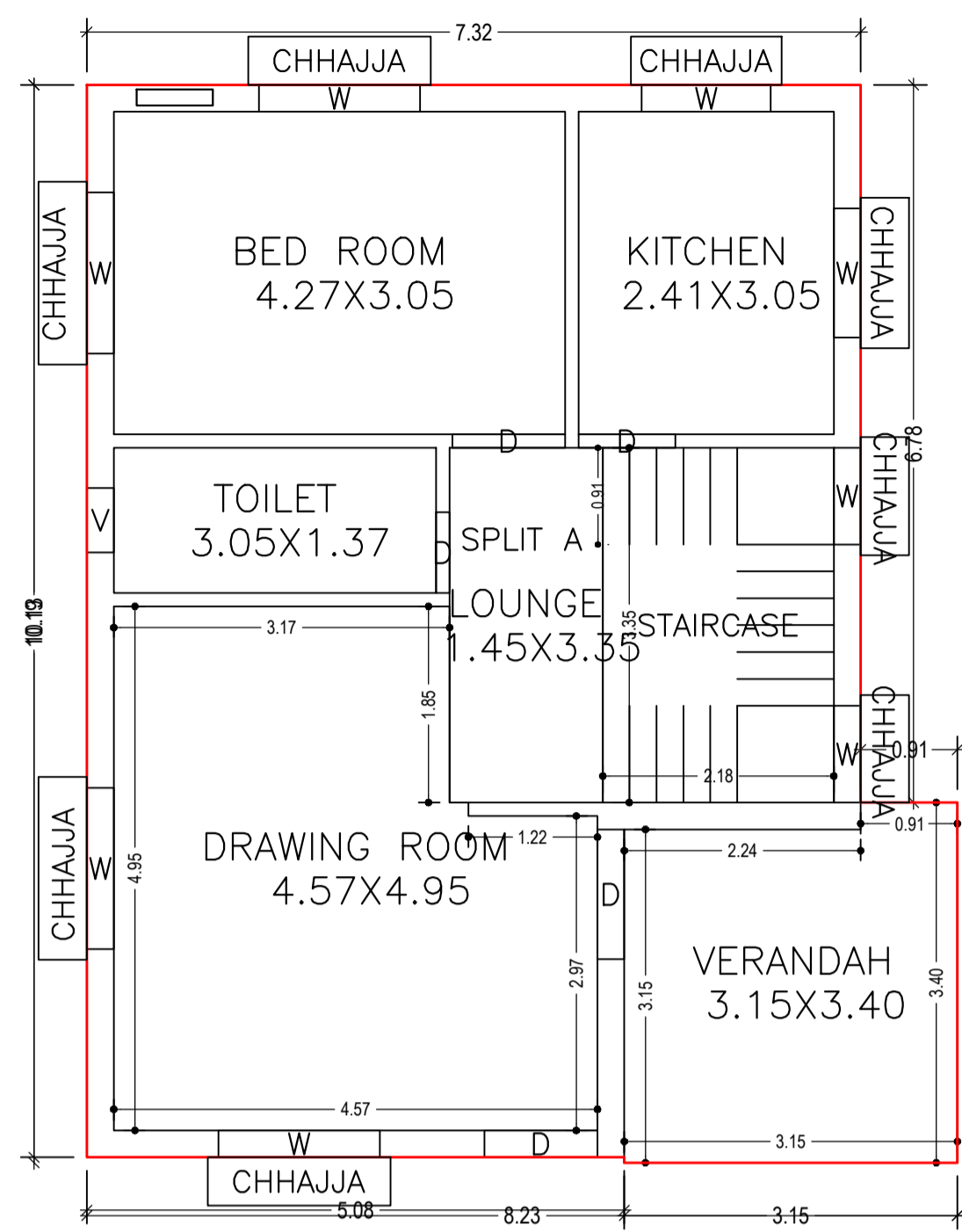
Building	No. of Same Bldg	Total Built Up Area (Sq.mt.)	Proposed FAR Area (Sq.mt.)	Total FAR Area (Sq.mt.)	Total Consumed Additional FAR Area (Sq.mt.)	Trmt (No.)
A (SAVITRI DEVI)	1	154.56	154.56	154.56	154.56	01
Grand Total:	1	154.56	154.56	154.56	154.56	01



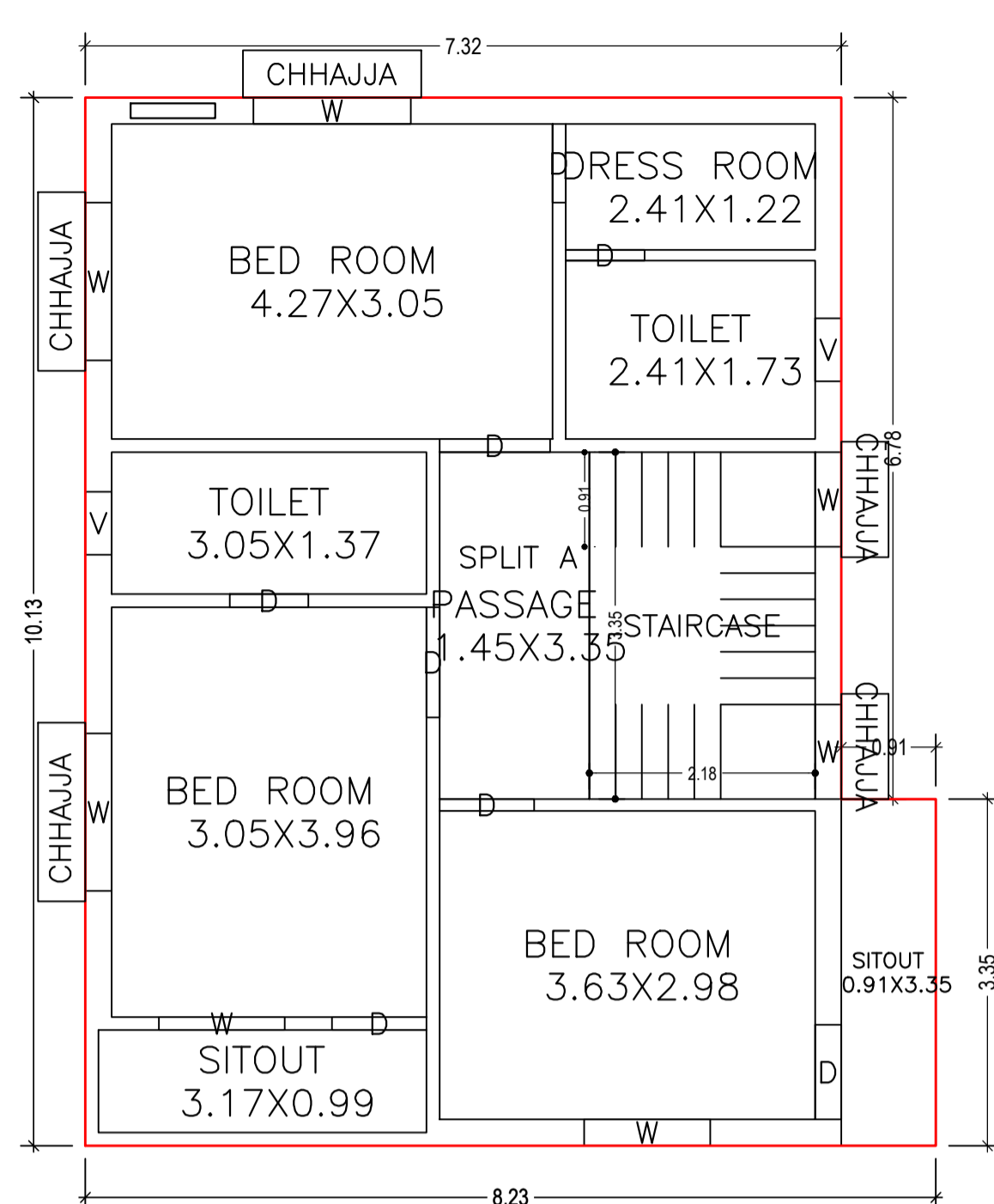
LTP NAME AND SIGNATURE RAM PRATAP SINGH MADA/ARC/0024/2019	STRUCTURAL ENG'S NAME AND SIGNATURE	BUILDER NAME AND SIGNATURE	DIGITAL SIGNATURE
--	-------------------------------------	----------------------------	-------------------

Proposal Basic Information

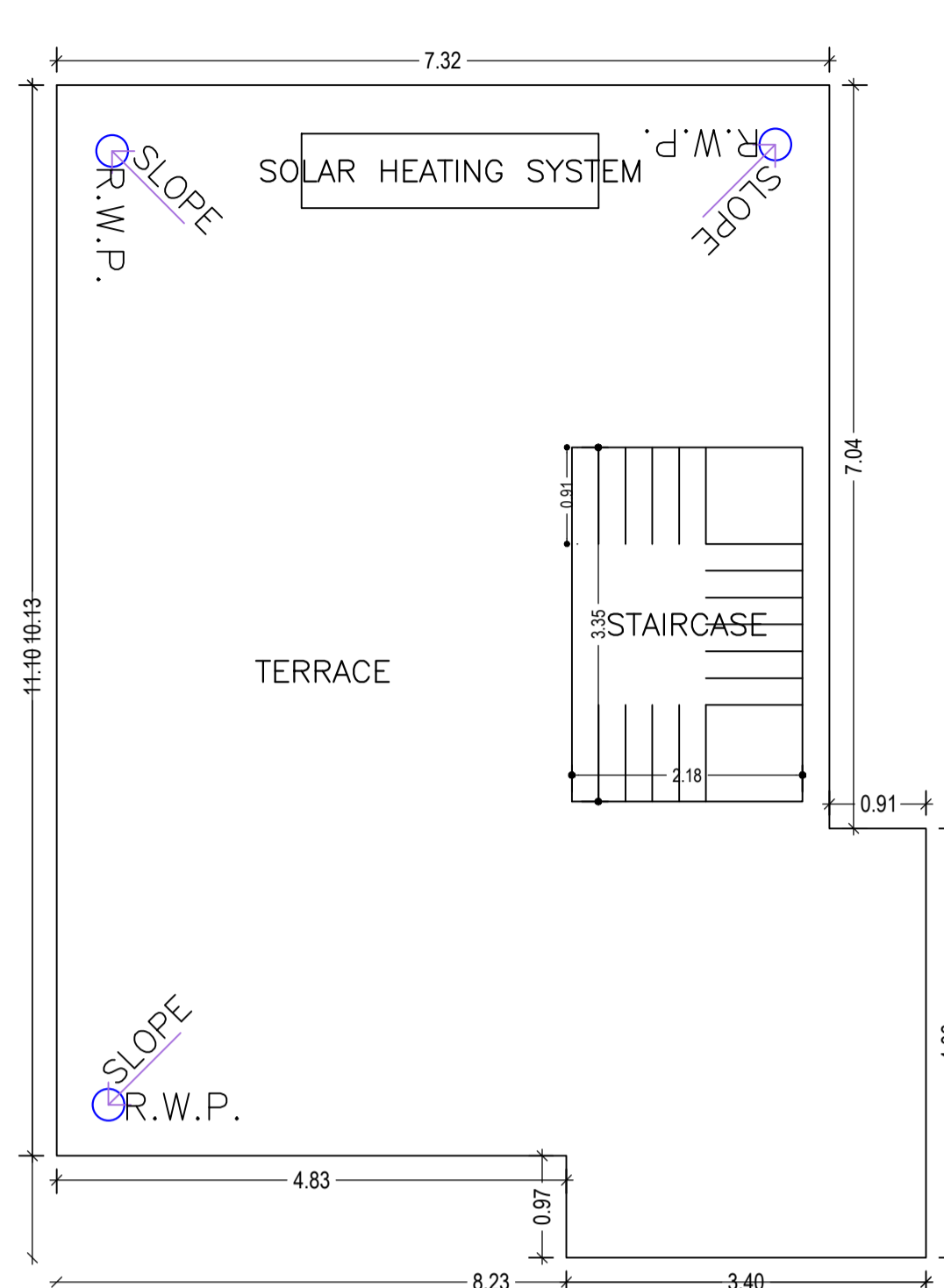
Proposal File No.	MADA/BP/0044/2024
Owner Name	SMT. SAVITRI DEVI
Khata No	OLD KHATA NO-17, NEW KHATA NO-241
Plot No	OLD PLOT NO-301, NEW PLOT NO-367
Village Name	Bara Nawaland
Use	Residential
SubUse	Bungalow/ Dwelling / Non Apartment



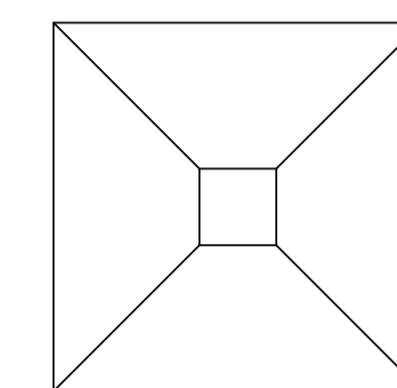
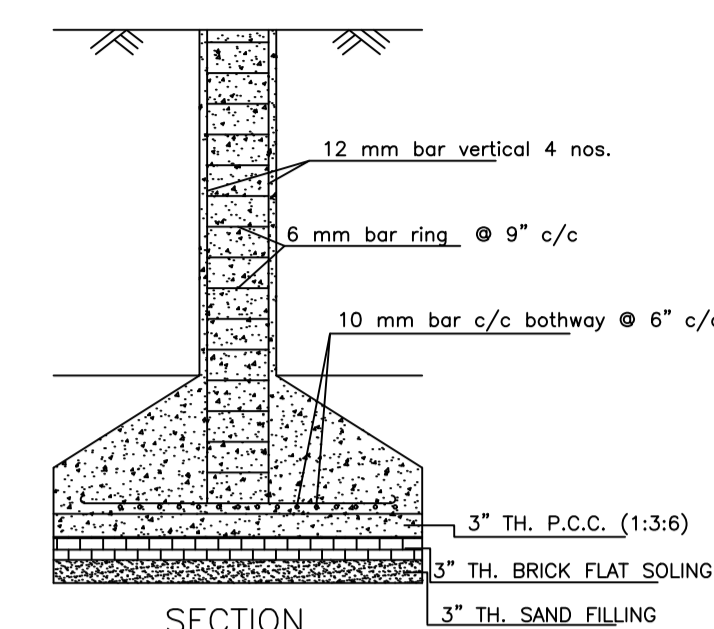
GROUND FLOOR PLAN
(Proposed)
(SCALE 1:100)



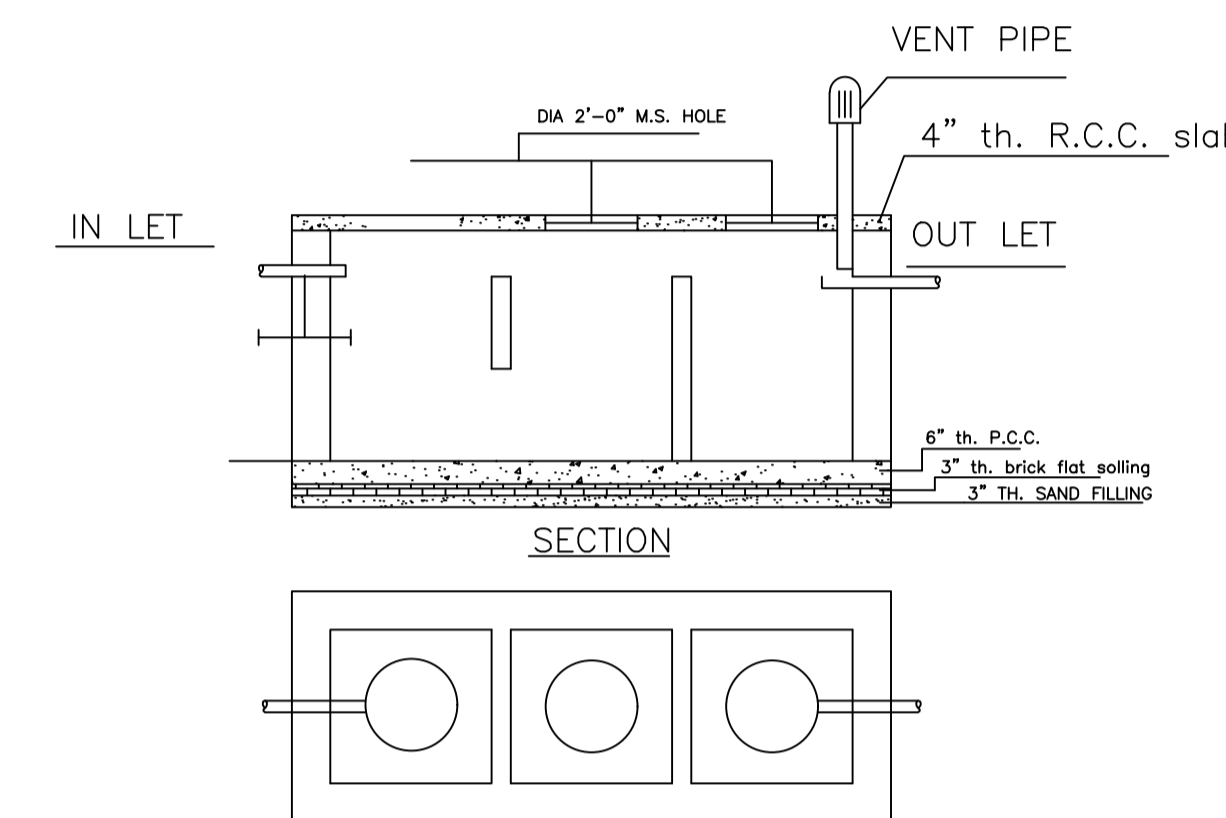
FIRST FLOOR PLAN
(Proposed)
(SCALE 1:100)



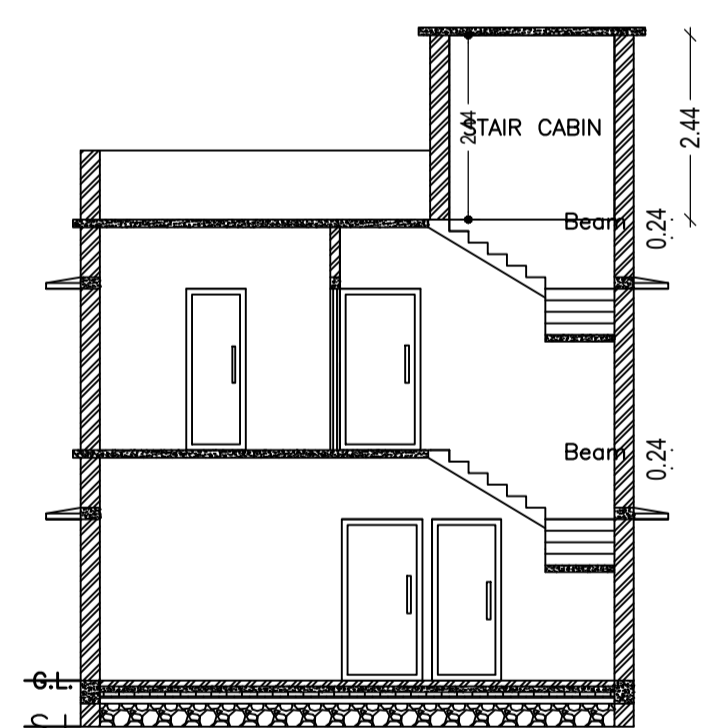
TERRACE FLOOR PLAN
(SCALE 1:100)



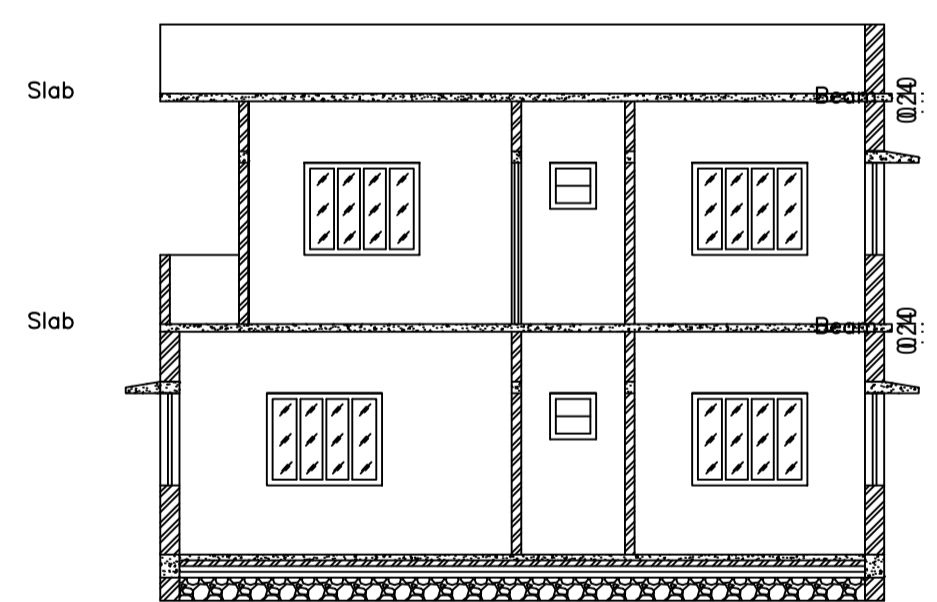
DETAILS OF COLUMN FOUNDATION
SCALE - 1" = 2'-0"



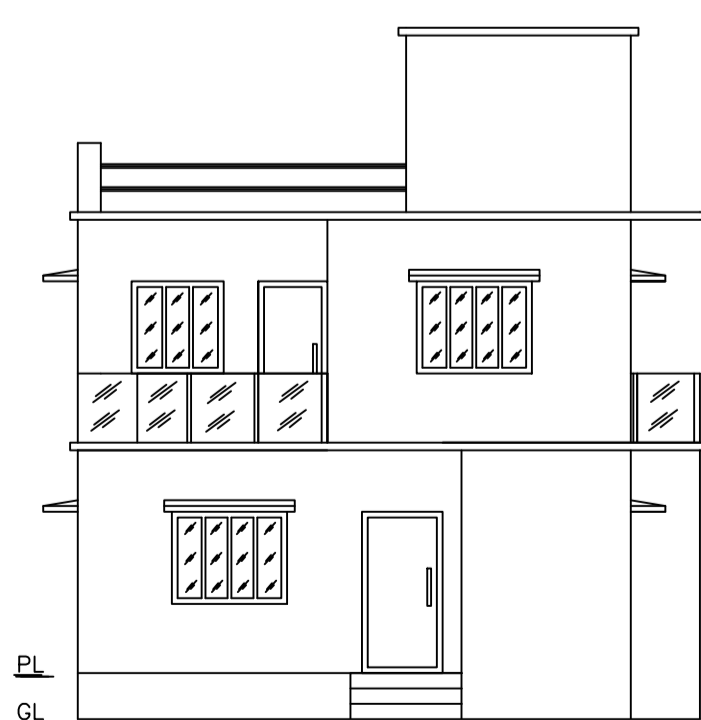
DETAILS OF SEPTIC TANK
SCALE - 1" = 4'-0"



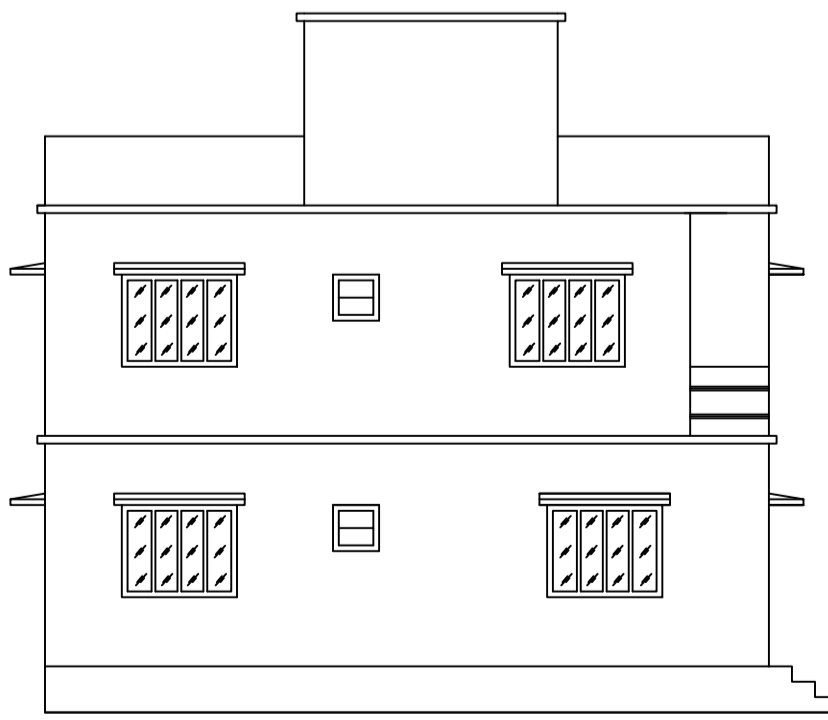
SECTION - XX'
SCALE - 1" = 8'-0"



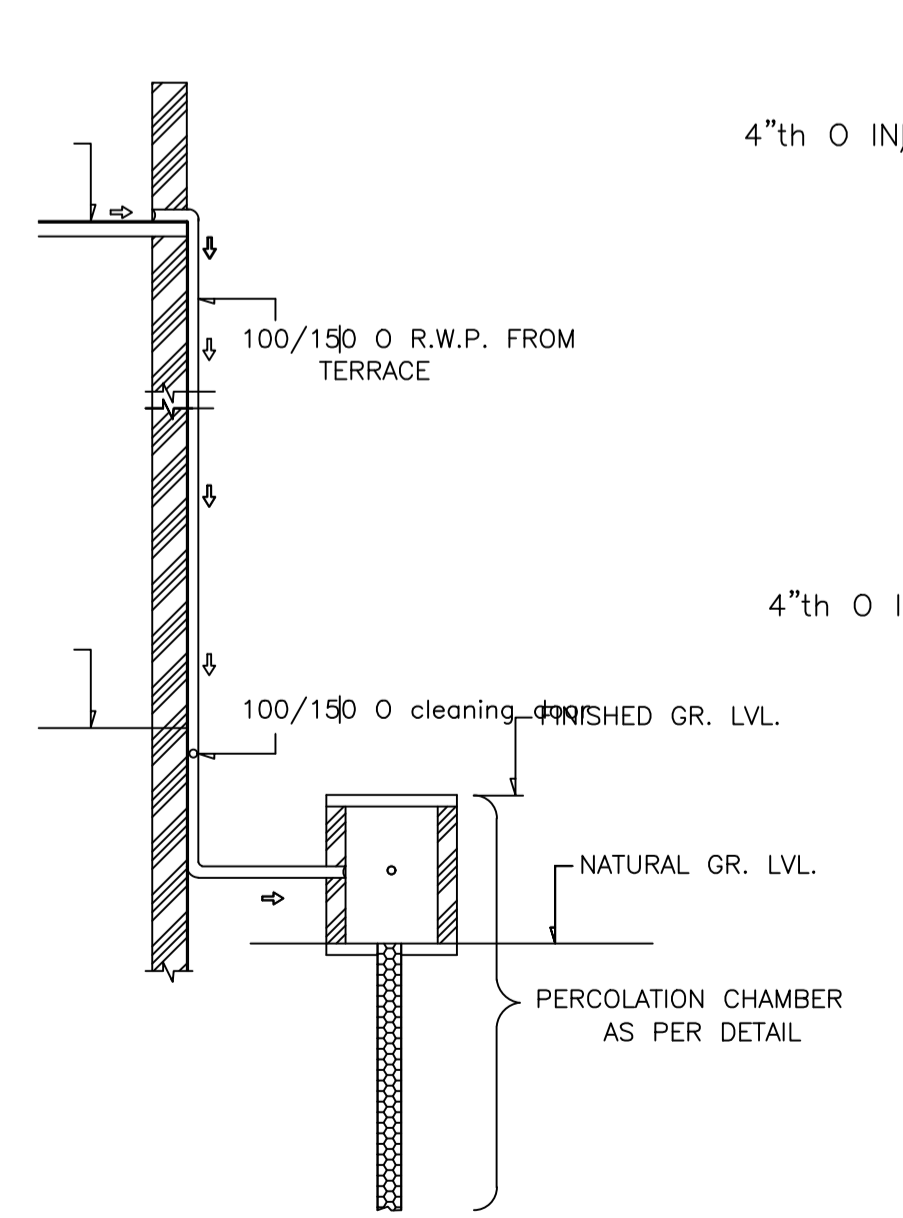
SECTION - YY'
SCALE - 1" = 8'-0"



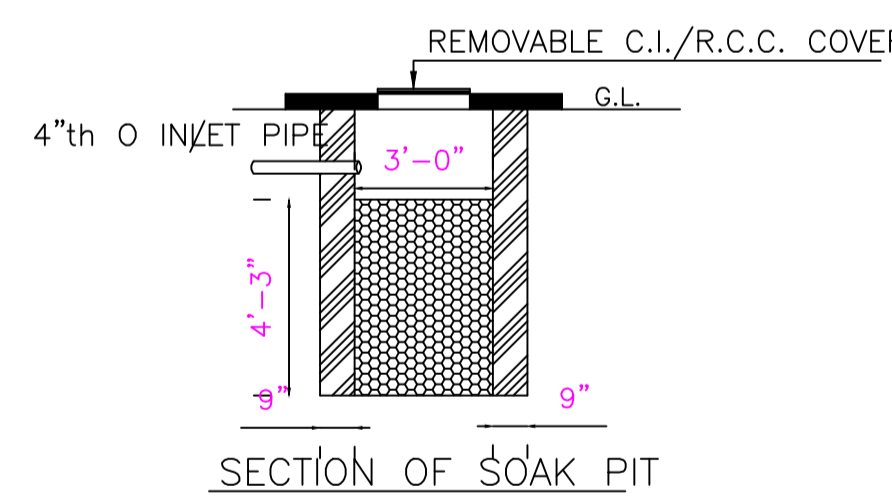
FRONT ELEVATION
SCALE - 1" = 8'-0"



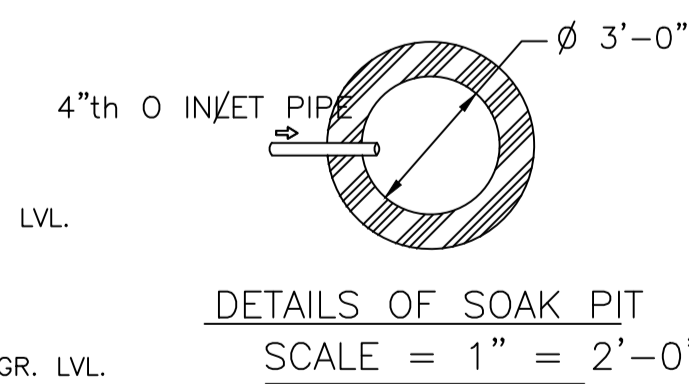
LEFT SIDE ELEVATION
SCALE - 1" = 8'-0"



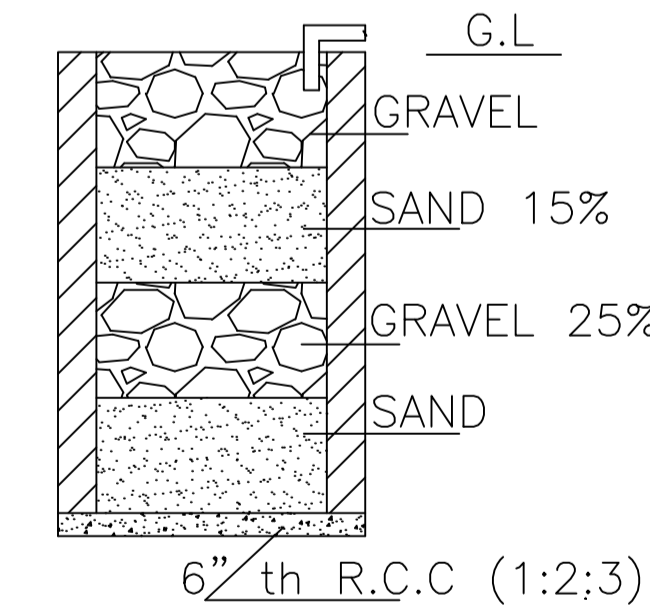
ROOF TOP RAIN WATER COLLECTION SYSTEM
SCALE = 1" = 4'-0"



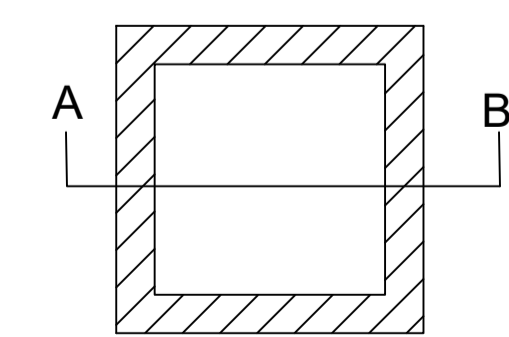
SECTION OF SOAK PIT



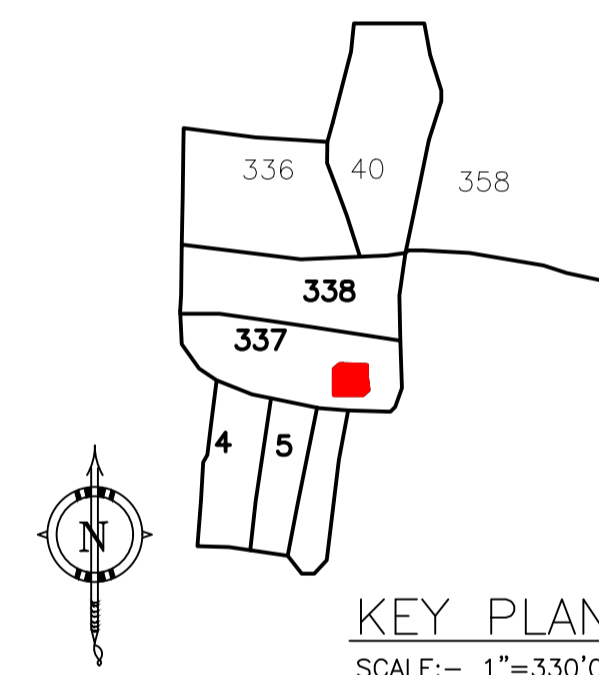
DETAILS OF SOAK PIT
SCALE = 1" = 2'-0"



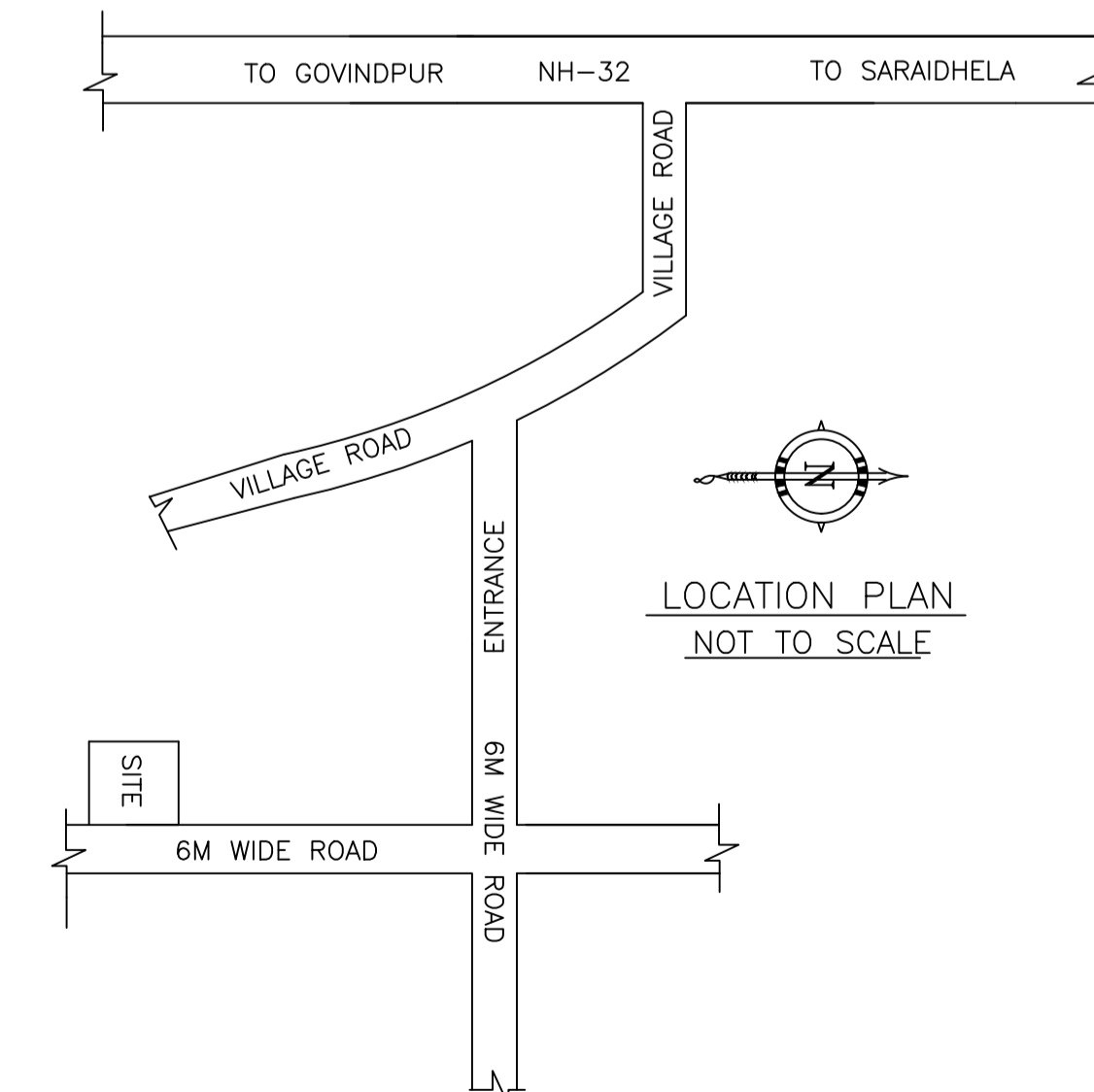
SECTION ON A - B



DETAILS DRAWING OF
RAIN WATER HARVESTING
SCALE:- 1"=2'-0"



KEY PLAN
SCALE:- 1"=330'0"



LOCATION PLAN
NOT TO SCALE

LTP NAME AND SIGNATURE RAM PRATAP SINGH MADA/ARC/0024/2019	STRUCTURAL ENG'S NAME AND SIGNATURE	BUILDER NAME AND SIGNATURE	DIGITAL SIGNATURE
--	-------------------------------------	----------------------------	-------------------