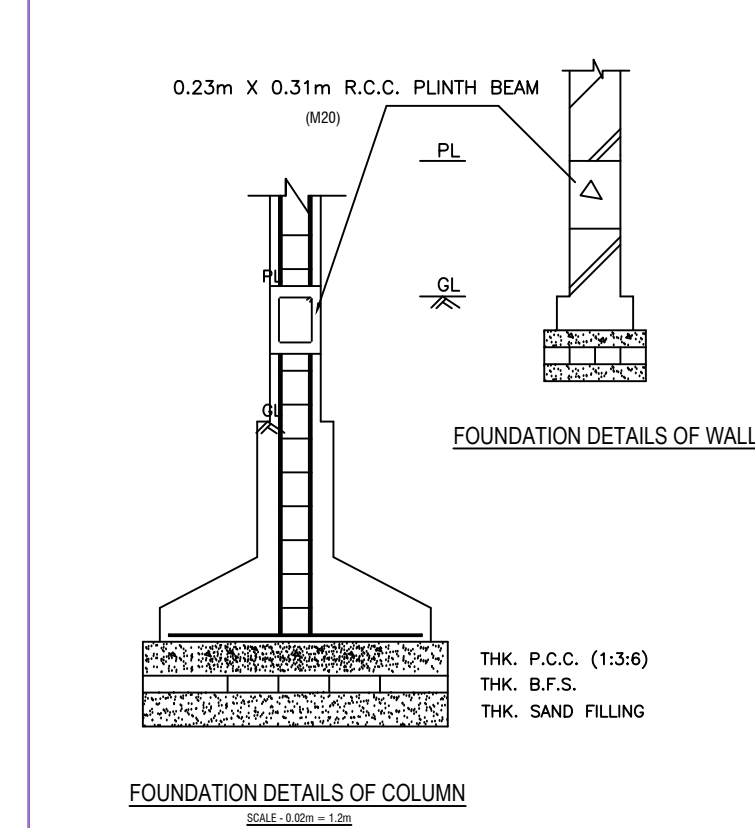
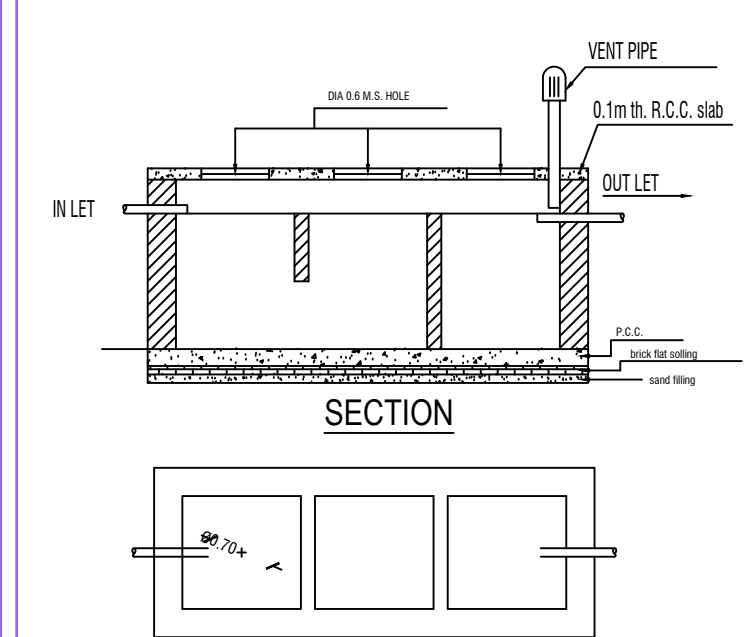


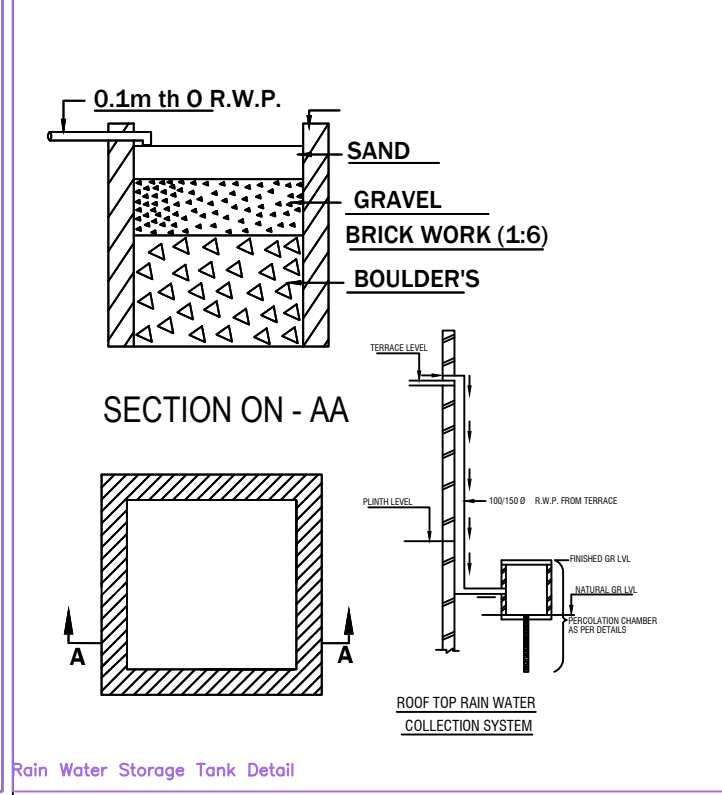
Project Title - GANDHARI DEVI



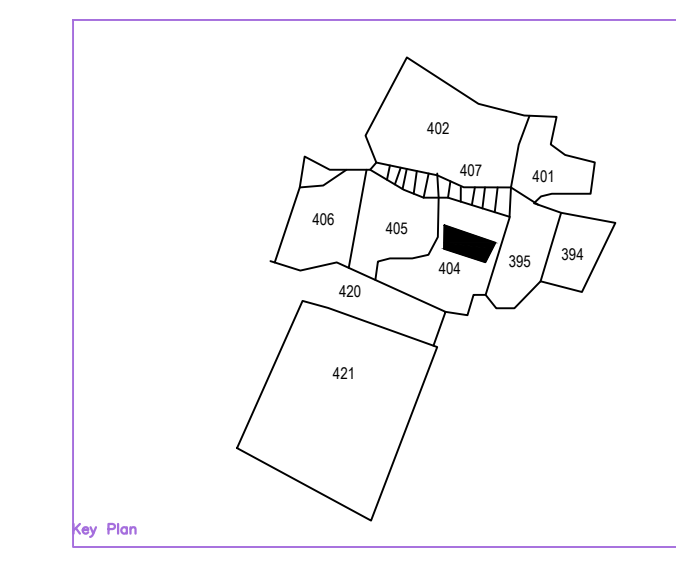
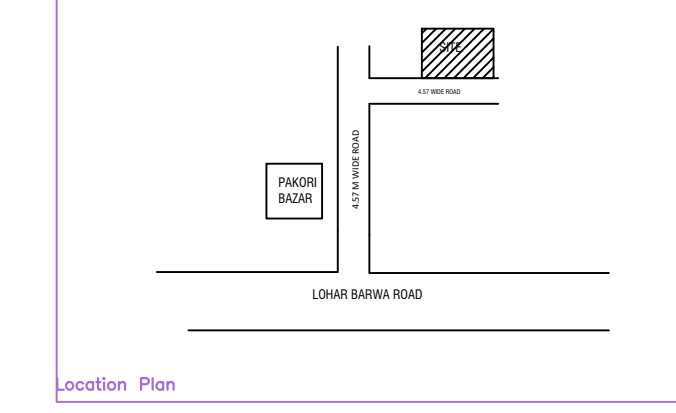
Structure Detail



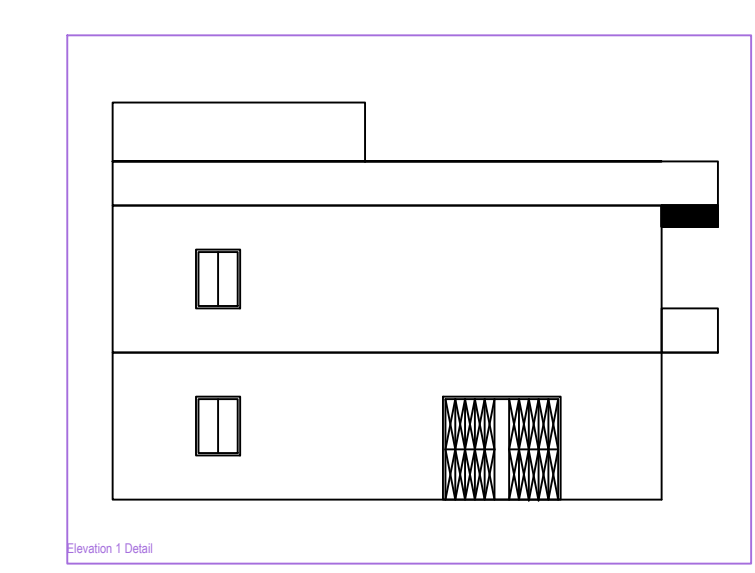
Septic Tank Detail



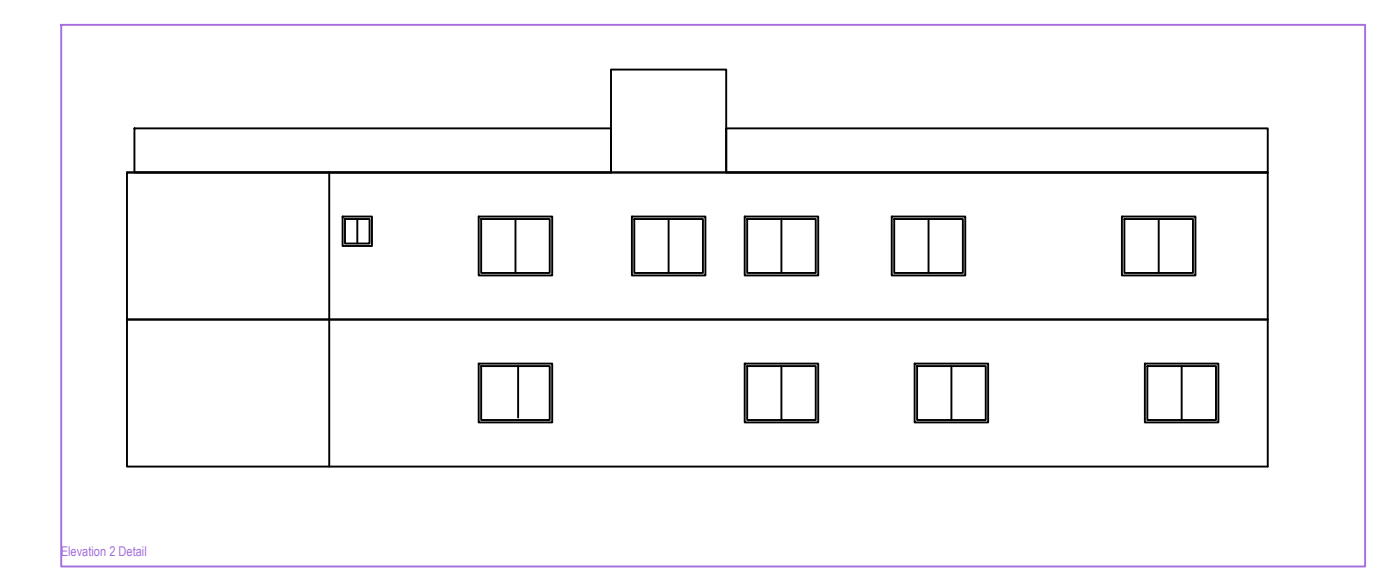
Roof Water Storage Tank Detail



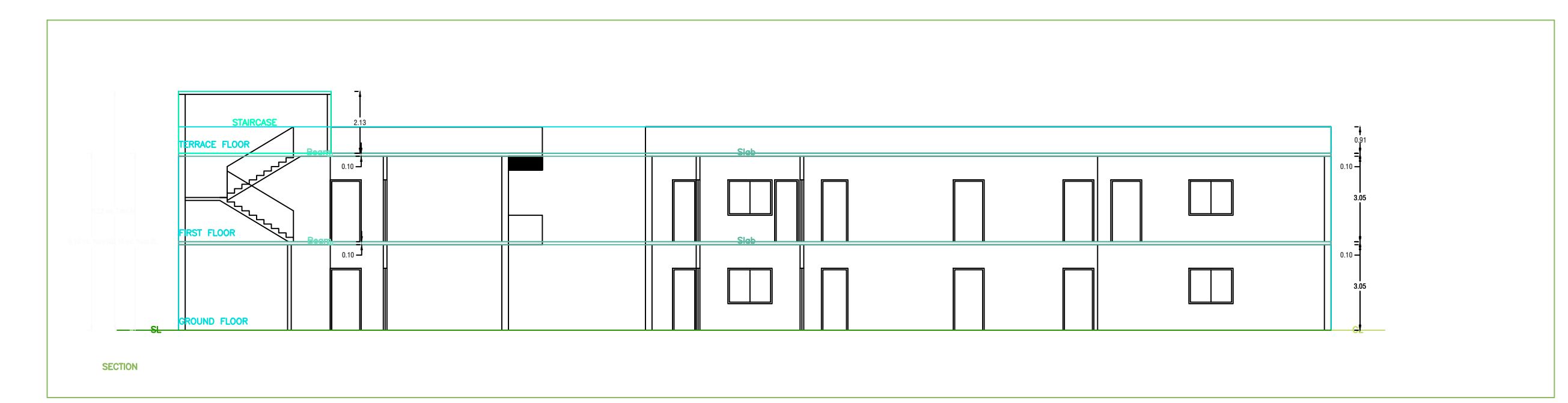
Site Plan



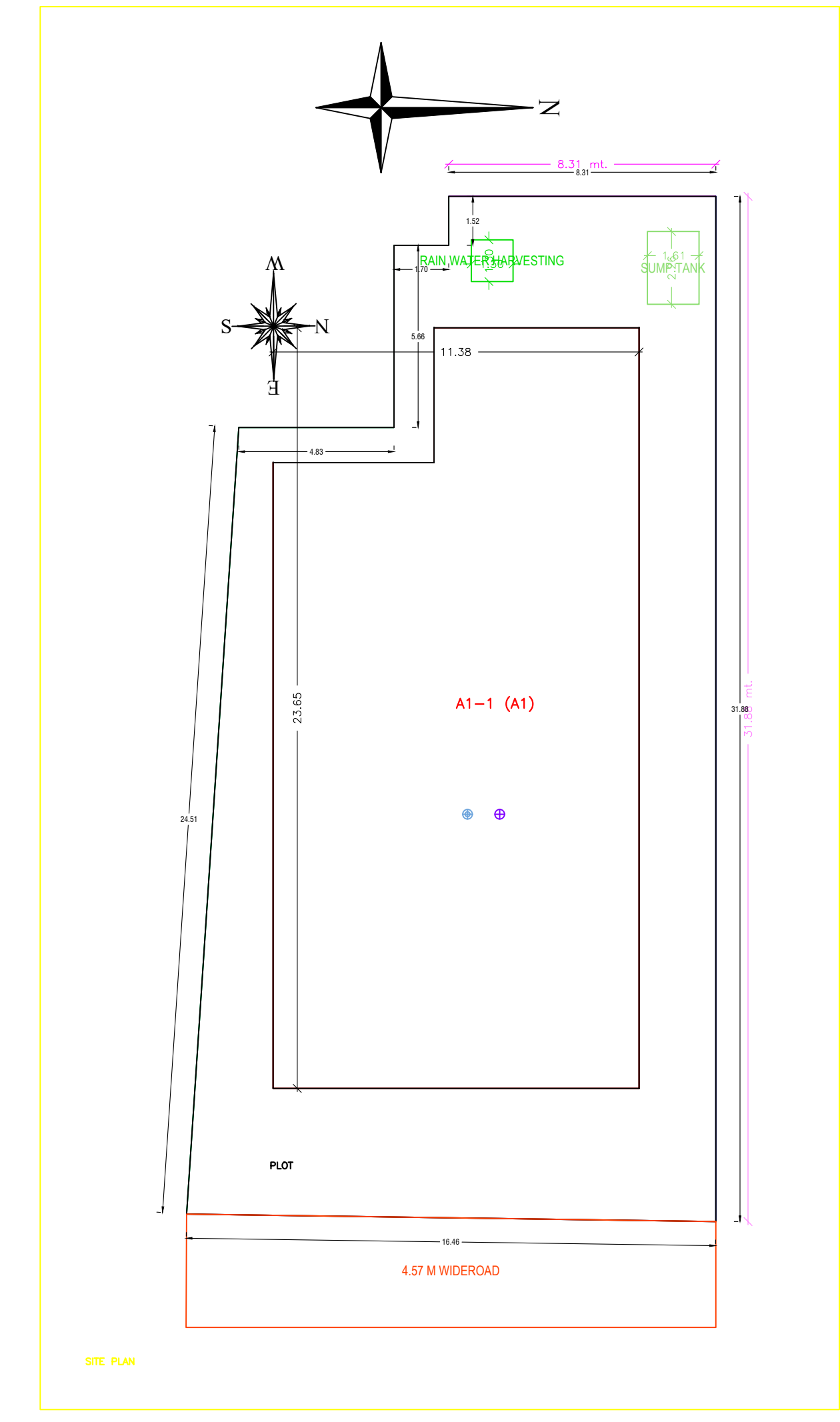
North Elevation



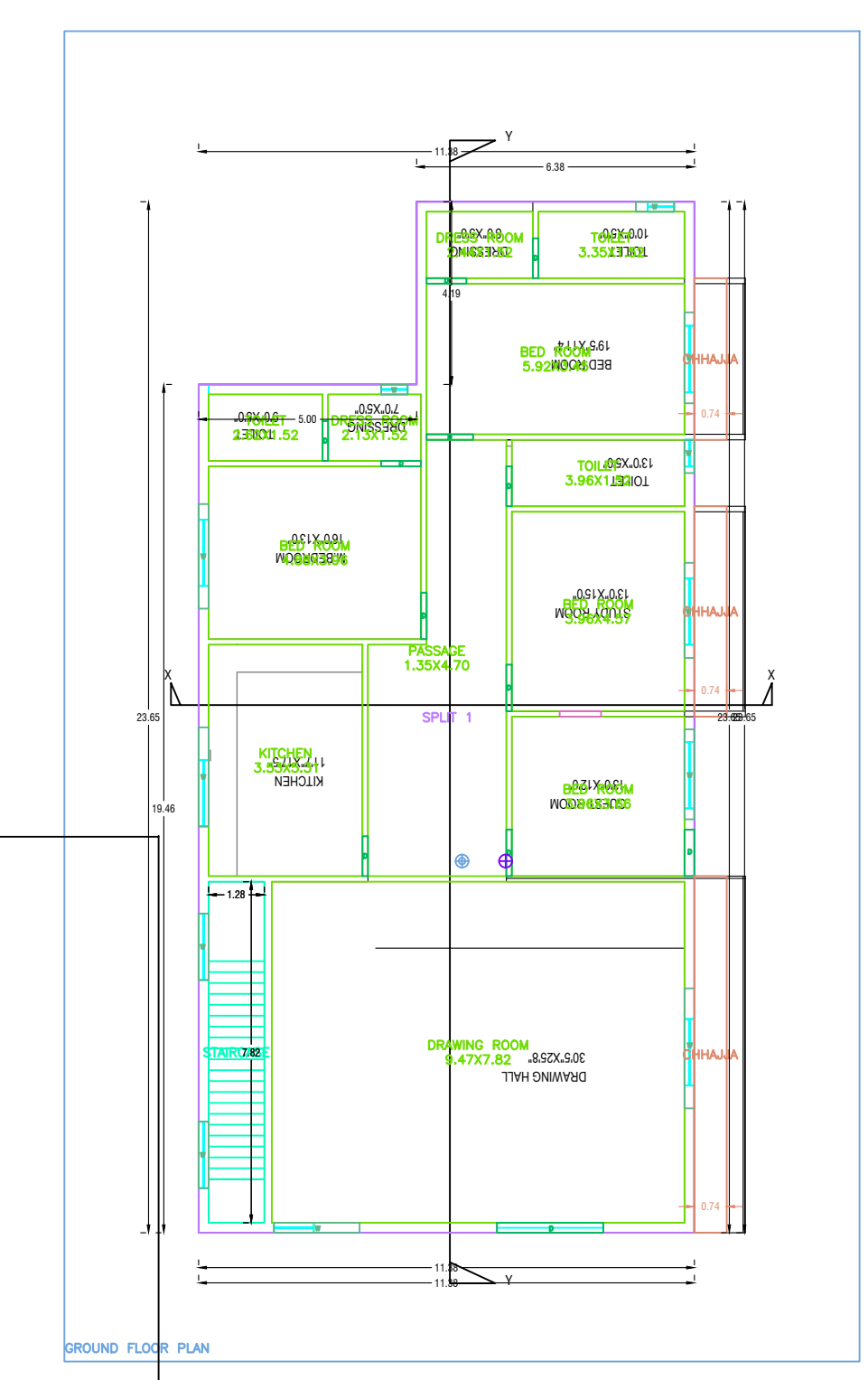
South Elevation



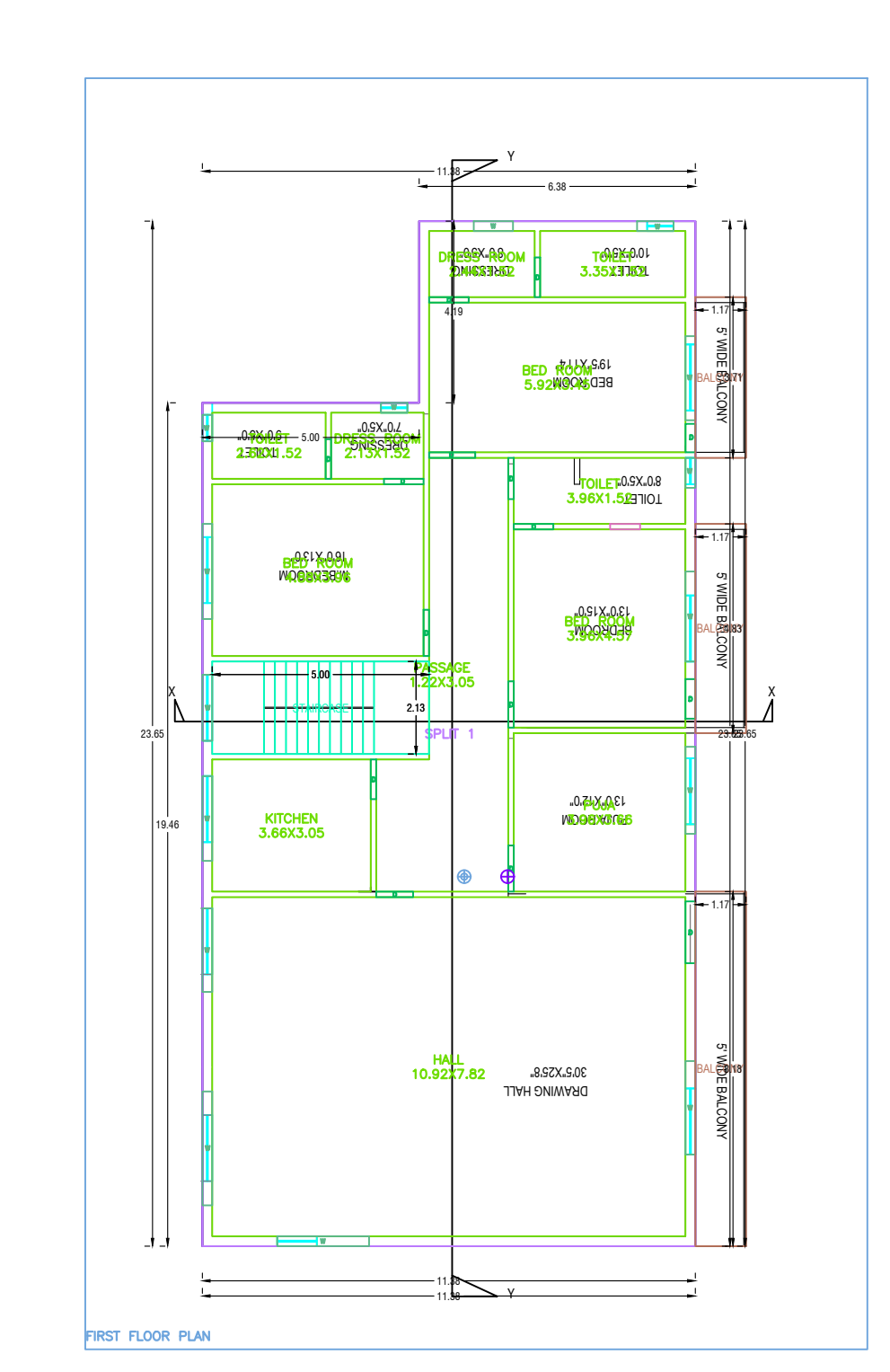
SECTION



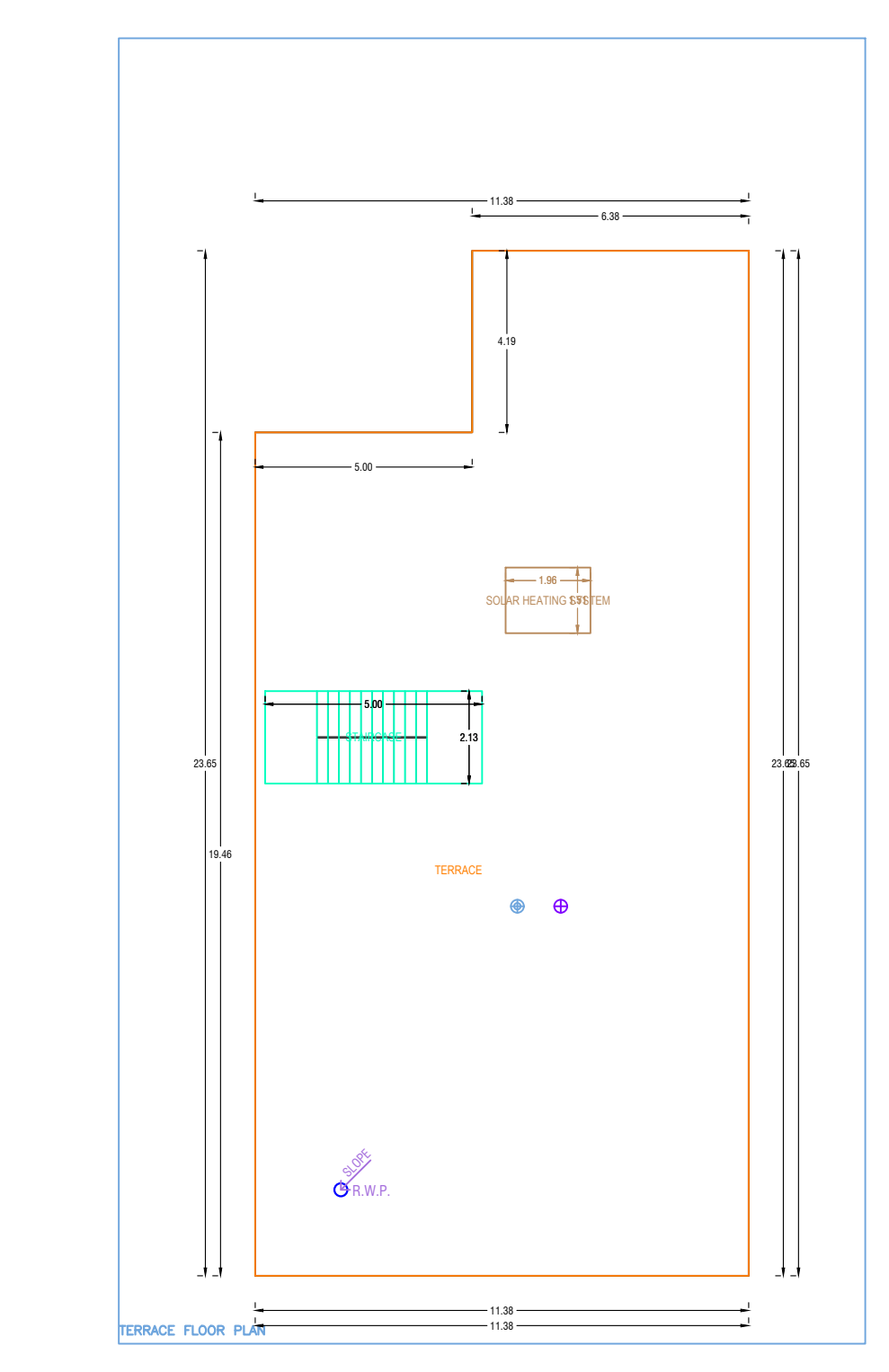
SITE PLAN



A1 (A1)



Building A1 (A1)



Floor Name	Total Built-up Area (Sq.M)	Plinth Area (Sq.M)	Roof Area (Sq.M)	Total Plinth Area (Sq.M)	Total Plinth Area (Sq.M)
Ground Floor	200.00	170.00	200.00	200.00	200.00
First Floor	200.00	170.00	200.00	200.00	200.00
Roof Floor	200.00	170.00	200.00	200.00	200.00
Total	600.00	510.00	600.00	600.00	600.00

ITEM NO.	DESCRIPTION	UNIT	QUANTITY	RATE	AMOUNT
1	CEMENT	MT	100	100	10000
2	SAND	CUYD	100	100	10000
3	BRICK	NO	100	100	10000
4	ROOFING	SQYD	100	100	10000
5	PAINT	SQYD	100	100	10000
6	LABOR	MAN-DAY	100	100	10000
7	CONCRETE	CUM	100	100	10000
8	STEEL	MT	100	100	10000
9	WATER	LITRE	100	100	10000
10	ELECTRICITY	KWH	100	100	10000
11	PLASTER	SQYD	100	100	10000
12	GLASS	SQYD	100	100	10000
13	DOOR	NO	100	100	10000
14	WINDOW	NO	100	100	10000
15	ROOFING	SQYD	100	100	10000
16	PAINT	SQYD	100	100	10000
17	LABOR	MAN-DAY	100	100	10000
18	CONCRETE	CUM	100	100	10000
19	STEEL	MT	100	100	10000
20	WATER	LITRE	100	100	10000
21	ELECTRICITY	KWH	100	100	10000
22	PLASTER	SQYD	100	100	10000
23	GLASS	SQYD	100	100	10000
24	DOOR	NO	100	100	10000
25	WINDOW	NO	100	100	10000
26	ROOFING	SQYD	100	100	10000
27	PAINT	SQYD	100	100	10000
28	LABOR	MAN-DAY	100	100	10000
29	CONCRETE	CUM	100	100	10000
30	STEEL	MT	100	100	10000
31	WATER	LITRE	100	100	10000
32	ELECTRICITY	KWH	100	100	10000
33	PLASTER	SQYD	100	100	10000
34	GLASS	SQYD	100	100	10000
35	DOOR	NO	100	100	10000
36	WINDOW	NO	100	100	10000
37	ROOFING	SQYD	100	100	10000
38	PAINT	SQYD	100	100	10000
39	LABOR	MAN-DAY	100	100	10000
40	CONCRETE	CUM	100	100	10000
41	STEEL	MT	100	100	10000
42	WATER	LITRE	100	100	10000
43	ELECTRICITY	KWH	100	100	10000
44	PLASTER	SQYD	100	100	10000
45	GLASS	SQYD	100	100	10000
46	DOOR	NO	100	100	10000
47	WINDOW	NO	100	100	10000
48	ROOFING	SQYD	100	100	10000
49	PAINT	SQYD	100	100	10000
50	LABOR	MAN-DAY	100	100	10000
51	CONCRETE	CUM	100	100	10000
52	STEEL	MT	100	100	10000
53	WATER	LITRE	100	100	10000
54	ELECTRICITY	KWH	100	100	10000
55	PLASTER	SQYD	100	100	10000
56	GLASS	SQYD	100	100	10000
57	DOOR	NO	100	100	10000
58	WINDOW	NO	100	100	10000
59	ROOFING	SQYD	100	100	10000
60	PAINT	SQYD	100	100	10000
61	LABOR	MAN-DAY	100	100	10000
62	CONCRETE	CUM	100	100	10000
63	STEEL	MT	100	100	10000
64	WATER	LITRE	100	100	10000
65	ELECTRICITY	KWH	100	100	10000
66	PLASTER	SQYD	100	100	10000
67	GLASS	SQYD	100	100	10000
68	DOOR	NO	100	100	10000
69	WINDOW	NO	100	100	10000
70	ROOFING	SQYD	100	100	10000
71	PAINT	SQYD	100	100	10000
72	LABOR	MAN-DAY	100	100	10000
73	CONCRETE	CUM	100	100	10000
74	STEEL	MT	100	100	10000
75	WATER	LITRE	100	100	10000
76	ELECTRICITY	KWH	100	100	10000
77	PLASTER	SQYD	100	100	10000
78	GLASS	SQYD	100	100	10000
79	DOOR	NO	100	100	10000
80	WINDOW	NO	100	100	10000
81	ROOFING	SQYD	100	100	10000
82	PAINT	SQYD	100	100	10000
83	LABOR	MAN-DAY	100	100	10000
84	CONCRETE	CUM	100	100	10000
85	STEEL	MT	100	100	10000
86	WATER	LITRE	100	100	10000
87	ELECTRICITY	KWH	100	100	10000
88	PLASTER	SQYD	100	100	10000
89	GLASS	SQYD	100	100	10000
90	DOOR	NO	100	100	10000
91	WINDOW	NO	100	100	10000
92	ROOFING	SQYD	100	100	10000
93	PAINT	SQYD	100	100	10000
94	LABOR	MAN-DAY	100	100	10000
95	CONCRETE	CUM	100	100	10000
96	STEEL	MT	100	100	10000
97	WATER	LITRE	100	100	10000
98	ELECTRICITY	KWH	100	100	10000
99	PLASTER	SQYD	100	100	10000
100	GLASS	SQYD	100	100	10000

ITEM NO.	DESCRIPTION	UNIT	QUANTITY	RATE	AMOUNT
1	CEMENT	MT	100	100	10000
2	SAND	CUYD	100	100	10000
3	BRICK	NO	100	100	10000
4	ROOFING	SQYD	100	100	10000
5	PAINT	SQYD	100	100	10000
6	LABOR	MAN-DAY	100	100	10000
7	CONCRETE	CUM	100	100	10000
8	STEEL	MT	100	100	10000
9	WATER	LITRE	100	100	10000
10	ELECTRICITY	KWH	100	100	10000
11	PLASTER	SQYD	100	100	10000
12	GLASS	SQYD	100	100	10000
13	DOOR	NO	100	100	10000
14	WINDOW	NO	100	100	10000
15	ROOFING	SQYD	100	100	10000
16	PAINT	SQYD	100	100	10000
17	LABOR	MAN-DAY	100	100	10000
18	CONCRETE	CUM	100	100	10000
19	STEEL	MT	100	100	10000
20	WATER	LITRE	100	100	10000
21	ELECTRICITY	KWH	100	100	10000
22	PLASTER	SQYD	100	100	10000
23	GLASS	SQYD	100	100	10000
24	DOOR	NO	100	100	10000
25	WINDOW	NO	100	100	10000
26	ROOFING	SQYD	100	100	10000
27	PAINT	SQYD	100	100	10000
28	LABOR	MAN-DAY	100	100	10000
29	CONCRETE	CUM	100	100	10000
30	STEEL	MT	100	100	10000
31	WATER	LITRE	100	100	10000
32	ELECTRICITY	KWH	100	100	10000
33	PLASTER	SQYD	100	100	10000
34	GLASS	SQYD	100	100	10000
35	DOOR	NO	100	100	10000
36	WINDOW	NO	100	100	10000
37	ROOFING	SQYD	100	100	10000
38	PAINT	SQYD	100	100	10000
39	LABOR	MAN-DAY	100	100	10000
40	CONCRETE	CUM	100	100	10000
41	STEEL	MT	100	100	10000
42	WATER	LITRE	100	100	10000
43	ELECTRICITY	KWH	100	100	10000
44	PLASTER	SQYD	100	100	10000
45	GLASS	SQYD	100	100	10000
46	DOOR	NO	100	100	10000
47	WINDOW	NO	100	100	10000
48	ROOFING	SQYD	100	100	10000
49	PAINT	SQYD	100	100	10000
50	LABOR	MAN-DAY	100	100	10000
51	CONCRETE	CUM	100	100	10000
52	STEEL	MT	100	100	10000
53	WATER	LITRE	100	100	10000
54	ELECTRICITY	KWH	100	100	10000
55	PLASTER	SQYD	100	100	10000
56	GLASS	SQYD	100	100	10000
57	DOOR	NO	100	100	10000
58	WINDOW	NO	100	100	10000
59	ROOFING	SQYD	100	100	10000
60	PAINT	SQYD	100	100	10000
61	LABOR	MAN-DAY	100	100	10000
62	CONCRETE	CUM	100	100	10000
63	STEEL	MT	100	100	10000
64	WATER	LITRE	100	100	10000
65	ELECTRICITY	KWH	100	100	10000
66	PLASTER	SQYD	100	100	10000
67	GLASS	SQYD	100	100	10000
68	DOOR	NO	100	100	10000
69	WINDOW	NO	100	100	10000
70	ROOFING	SQYD	100	100	10000