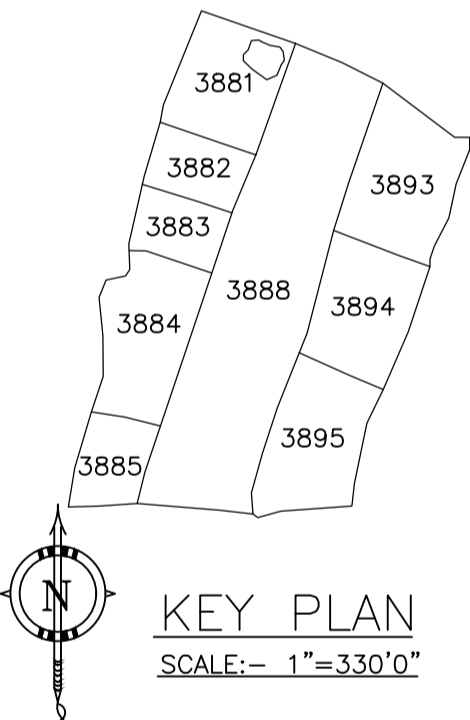
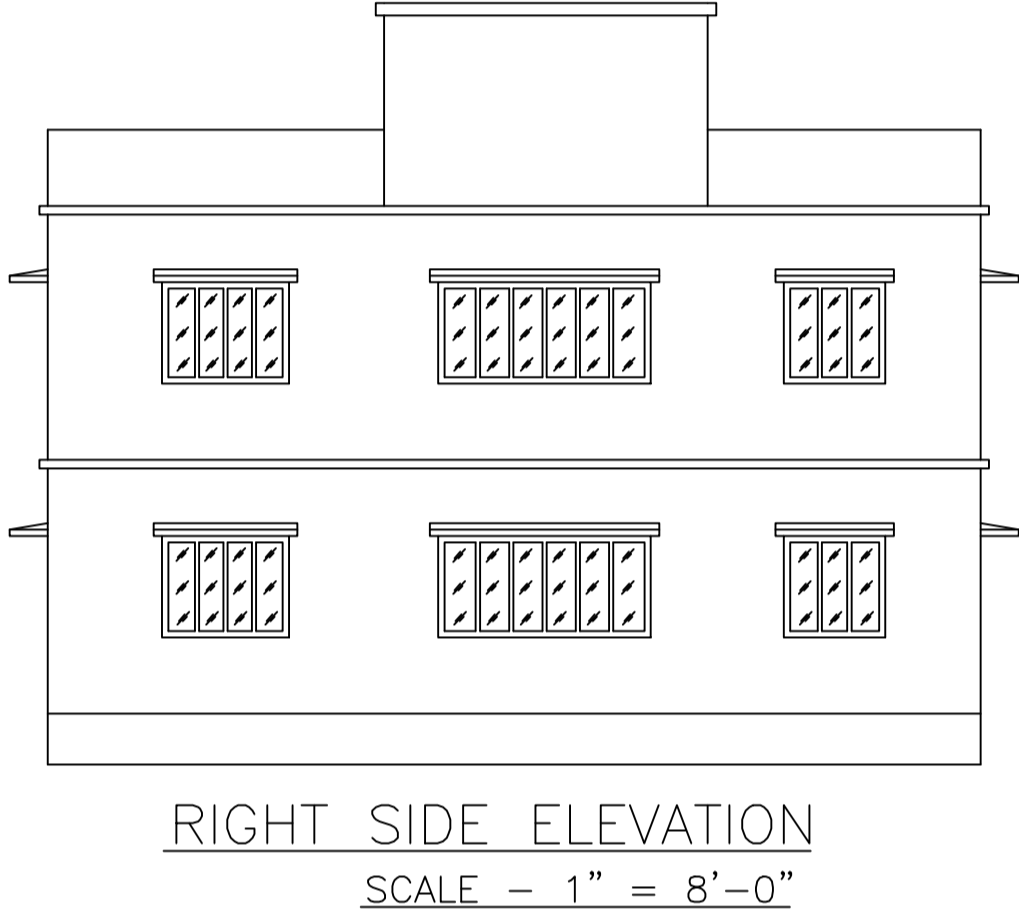
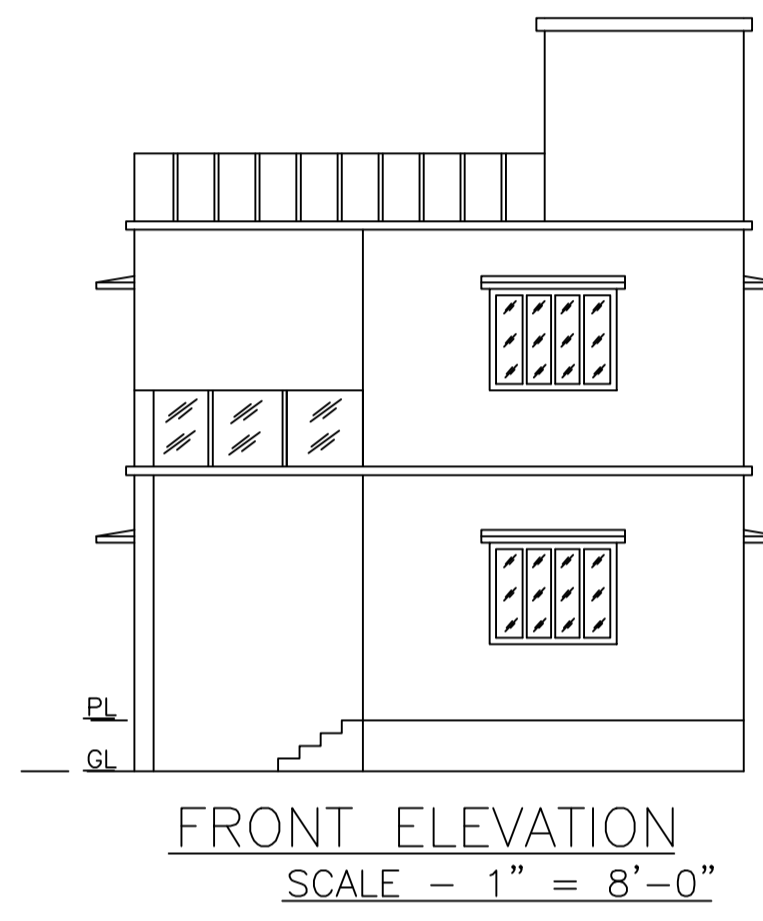
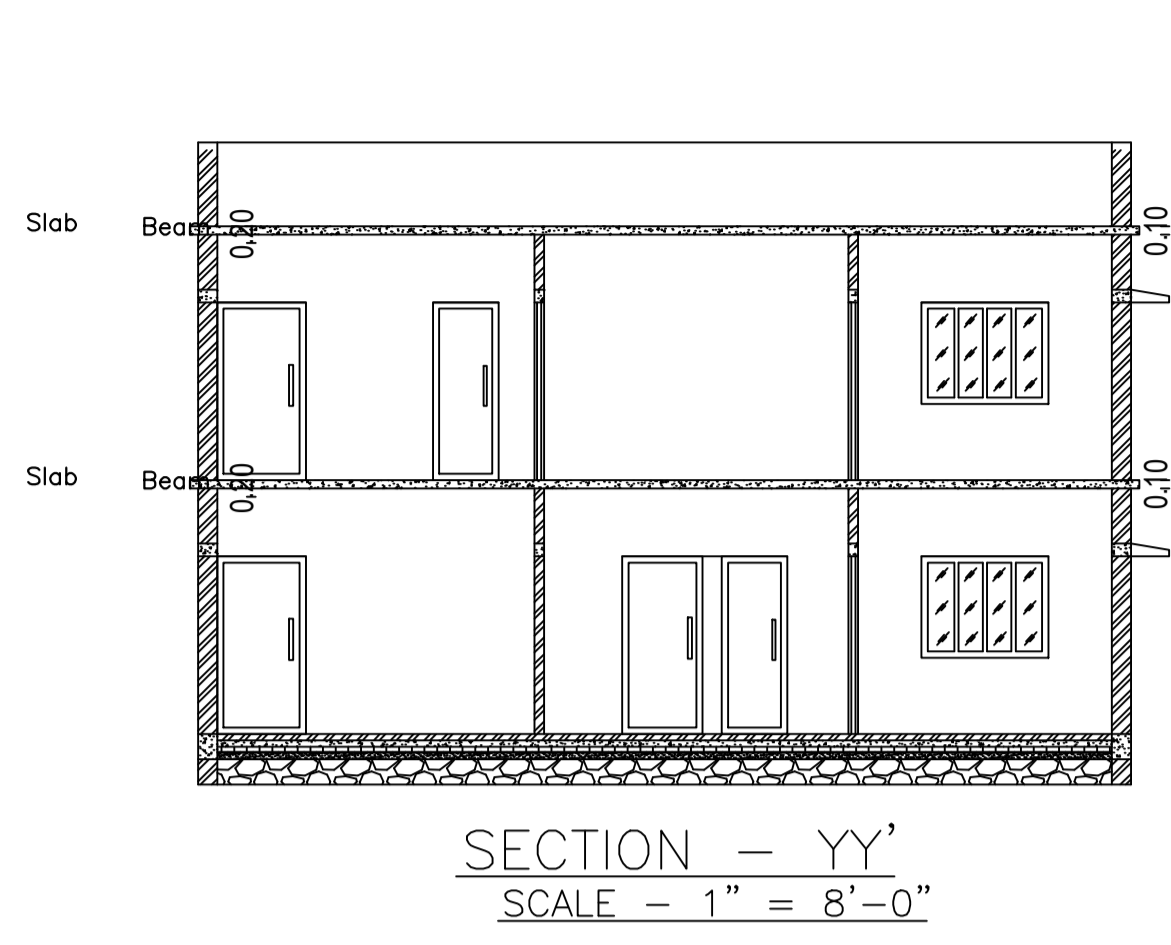
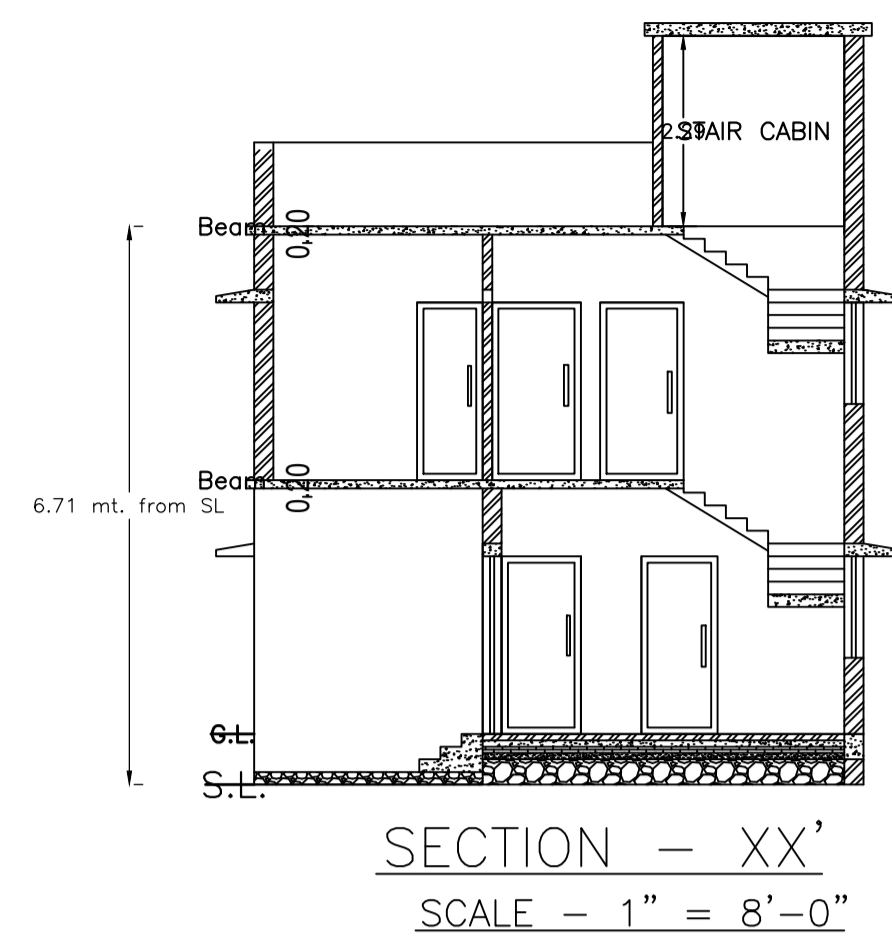
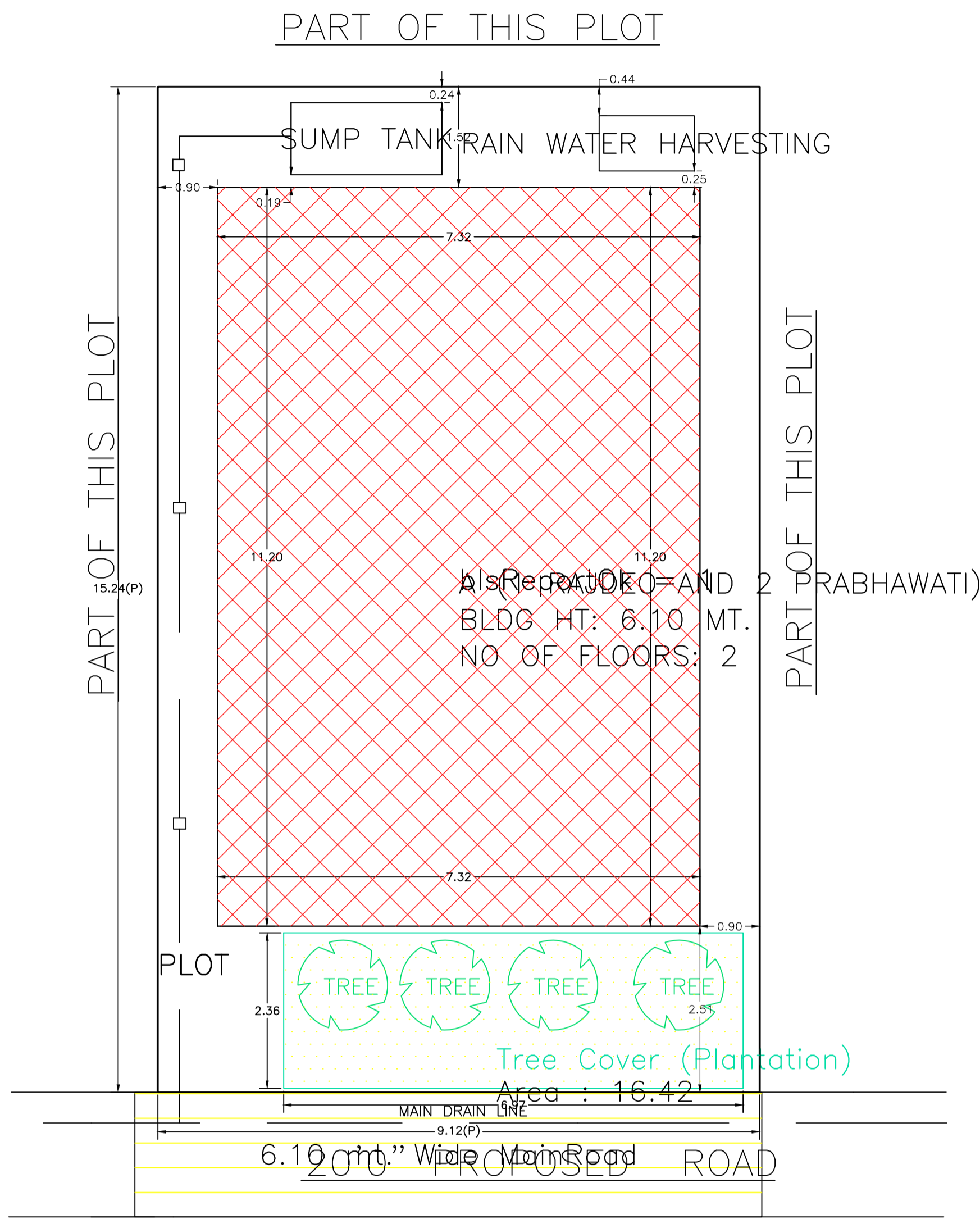


Proposal Basic Information

Proposal File No.	MADA/BP/0055/2024
Owner Name	1. SRI RAJDEO SINGH AND 2. SMT. PRABHAWATI DEVI
Khata No	OLD KHATA NO-43, NEW KHATA NO-350
Plot No	OLD PLOT NO-2542, NEW PLOT NO-3881
Village Name	Bara Pichri
Use	Residential
SubUse	Bungalow/ Dwelling / Non Apartment

AREA STATEMENT MINERAL AREA DEVELOPMENT AUTHORITY	VERSION NO.: 1.0.69 VERSION DATE: 16/10/2020
PROJECT DETAIL:	
Region: JHARKHAND URBAN LOCAL BODIES	Plot Use: Residential
District: DHANBAD	Plot SubUse: Bungalow/ Dwelling / Non Apartment
Authority: MINERAL AREA DEVELOPMENT AUTHORITY	PlotNearby/ReligiousStructure: NA
Inward No: MADA/BP/0055/2024	Plot/SubPlot No: OLD PLOT NO-2542, NEW PLOT NO-3881
Application Type: General Proposal	North: Plot No. - SAME PLOT
Project Type: Building Permission	South: Plot No. - SAME PLOT
Nature of Development: New	East: Plot No. - SAME PLOT
Location of Development Area: Old Area	West: Road Width - 6.10
AREA DETAILS:	
AREA OF PLOT (Minimum)	(A) 139.05 SQ.MT.
NET AREA OF PLOT (Gross Plot Area - Deduction from Gross Plot area)	(A-Deductions) 139.05
Deduction for Balance Plot Area (from Gross Plot Area)	
Common Plot	16.42
Total	16.42
BALANCE AREA OF PLOT (Net Plot Area - Recreational/Amenity space)	(A-Deductions) 122.63
PLOT AREA FOR COVERAGE (Net Plot Area)	(A-Deductions) 139.05
Plot Area for FAR (Net Plot Area + Road Widening Area)	(A-Deductions) 139.05
COVERAGE CHECK	
Permissible Coverage area (70.00 %)	97.33
Proposed Coverage Area (58.93 %)	81.94
Total Prop. Coverage Area (58.93 %)	81.94
Balance coverage area (11.07 %)	15.39
FAR CHECK	
Perm. FAR Area (2.500)	347.63
Total Perm. FAR area	347.63
Residential FAR	163.88
Proposed FAR Area	163.88
Total Proposed FAR Area	163.88
Consumed FAR (Factor)	1.18
Balance FAR Area	183.75
BUILT UP AREA CHECK	
Total Proposed BuiltUp Area	163.88
ARCHITECT (Regd)	RAM PRATAP SINGH
ENGINEER (Regd)	
SUPERVISOR (Regd)	
OWNER (Regd)	1. SRI RAJDEO SINGH AND 2. SMT. PRABHAWATI DEVI
DEVELOPMENT AUTHORITY LOCAL BODY	



UnitBUA Table for Building :A (1 RAJDEO AND 2 PRABHAWATI)

FLOOR	Name	UnitBUA Type	UnitBUA Area	Carpet Area	No. of Rooms	No. of Tenement
GROUND FLOOR PLAN	SPLIT A	FLAT	163.88	163.48	6	1
FIRST FLOOR PLAN	SPLIT A	FLAT	0.00	0.00	7	0
Total:	-	-	163.88	163.48	13	1

SCHEDULE OF DOOR:

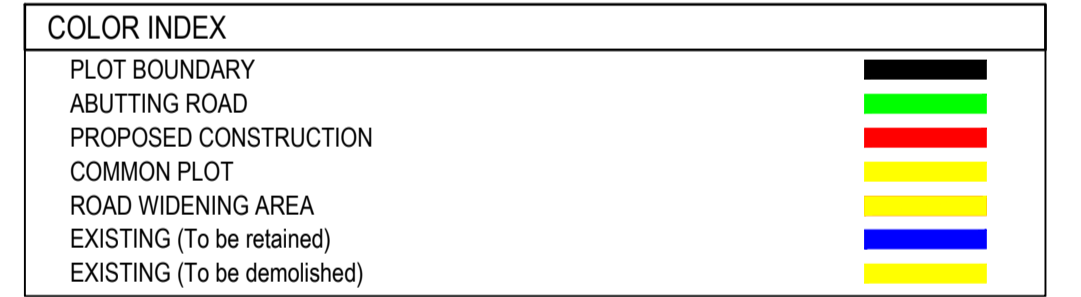
BUILDING NAME	NAME	LENGTH	HEIGHT	NOS
A (1 RAJDEO AND 2 PRABHAWATI)	D	0.76	2.10	02
A (1 RAJDEO AND 2 PRABHAWATI)	D	0.79	2.10	01
A (1 RAJDEO AND 2 PRABHAWATI)	D	0.91	2.10	01
A (1 RAJDEO AND 2 PRABHAWATI)	D	0.93	2.10	01
A (1 RAJDEO AND 2 PRABHAWATI)	D	0.97	2.10	01
A (1 RAJDEO AND 2 PRABHAWATI)	D	1.00	2.10	01
A (1 RAJDEO AND 2 PRABHAWATI)	D	1.07	2.10	04
A (1 RAJDEO AND 2 PRABHAWATI)	D	1.52	2.10	01

SCHEDULE OF WINDOW/VENTILATION:

BUILDING NAME	NAME	LENGTH	HEIGHT	NOS
A (1 RAJDEO AND 2 PRABHAWATI)	V	0.84	1.20	03
A (1 RAJDEO AND 2 PRABHAWATI)	W	1.22	1.20	01
A (1 RAJDEO AND 2 PRABHAWATI)	W	1.52	1.20	10
A (1 RAJDEO AND 2 PRABHAWATI)	W	2.55	1.20	02

Building :A (1 RAJDEO AND 2 PRABHAWATI)

Floor Name	Total Built Up Area (Sq.mt.)	Proposed FAR Area (Sq.mt.) Resi.	Total FAR Area (Sq.mt.)	Total Consumed Additional FAR Area (Sq.mt.)	Tnmt (No.)
Ground Floor	81.94	81.94	81.94	81.94	01
First Floor	81.94	81.94	81.94	81.94	00
Terrace Floor	0.00	0.00	0.00	0.00	00
Total :	163.88	163.88	163.88	163.88	01
Total Number of Same Buildings :	1				
Total :	163.88	163.88	163.88	163.88	01



Buildingwise Floor FAR Details

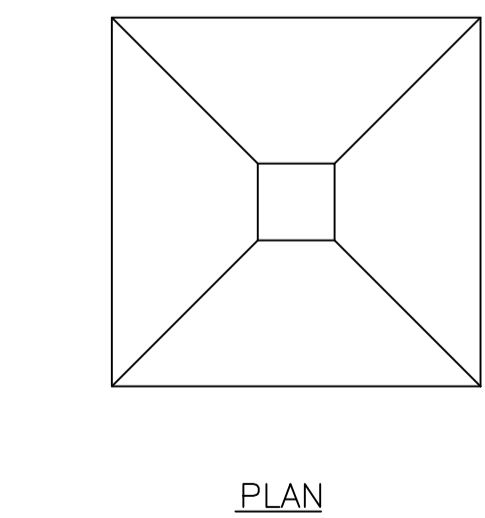
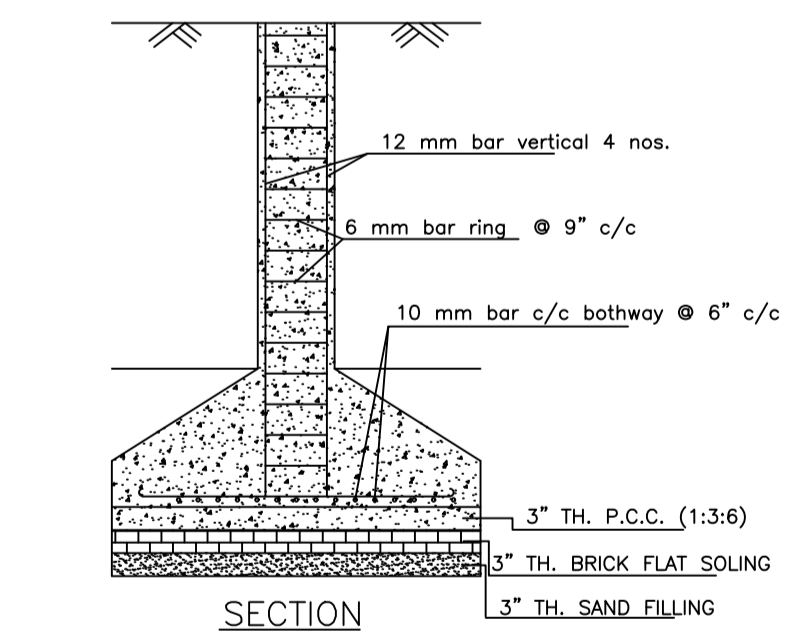
Floor Name	Building Name		Total	
	Proposed Built Up Area (Sq.mt.)	Proposed FAR Area (Sq.mt.)	Total Proposed Built Up Area (Sq.mt.)	Total FAR Area (Sq.mt.)
Ground Floor	81.94	81.94	81.94	81.94
First Floor	81.94	81.94	81.94	81.94
Terrace Floor	0.00	0.00	0.00	0.00
Total :	163.88	163.88	163.88	163.88

Building USE/SUBUSE Details

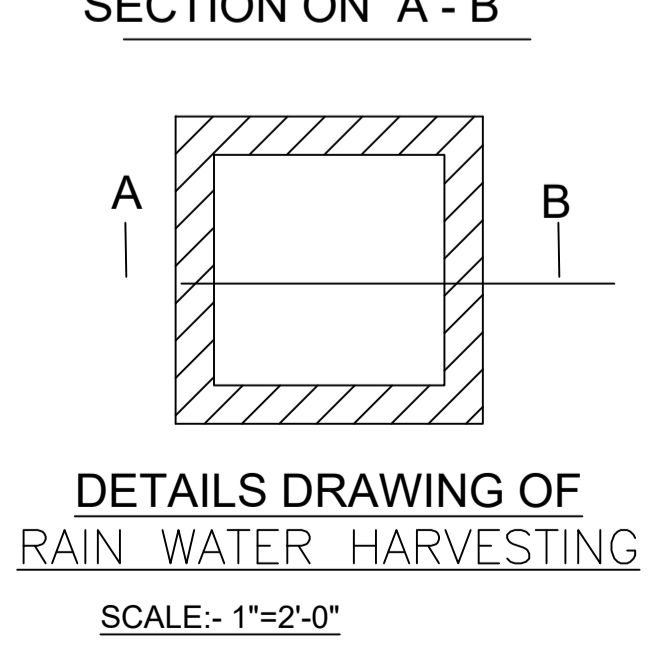
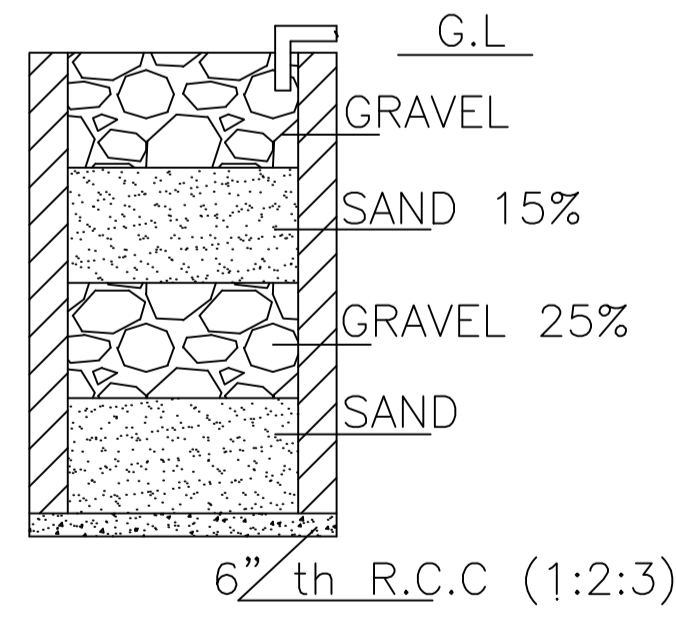
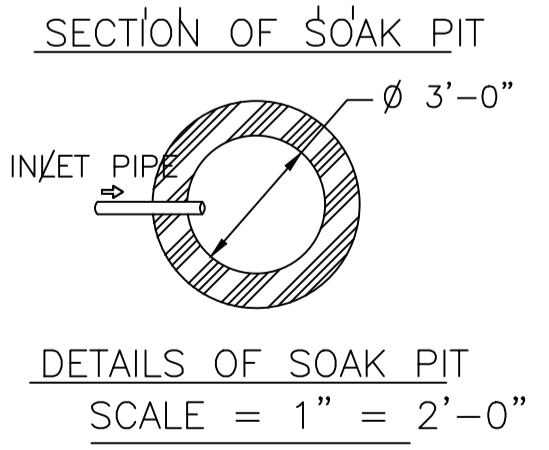
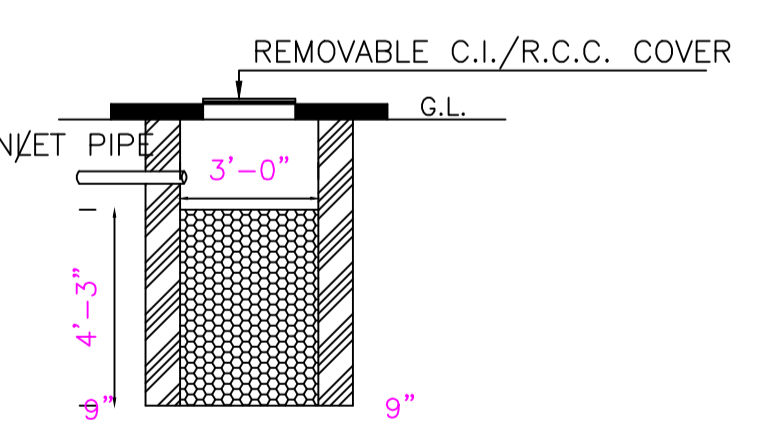
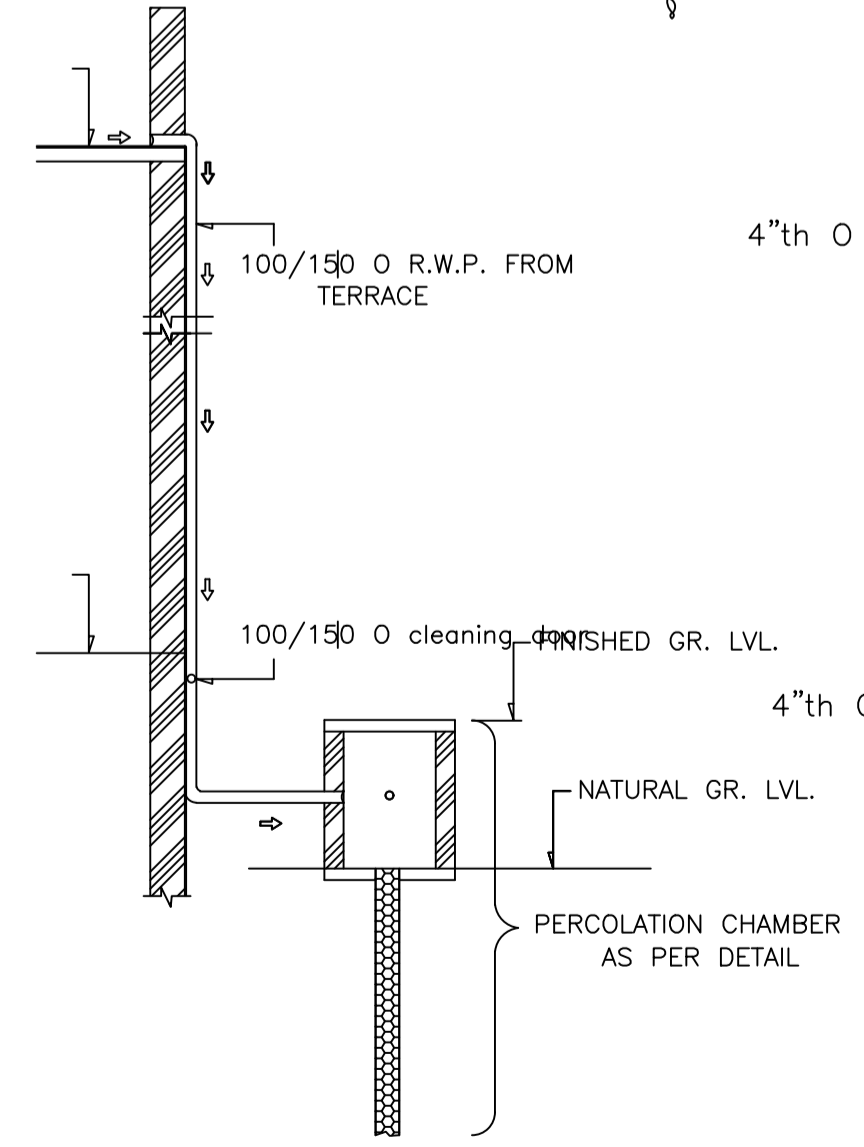
Building Name	Building Use	Building SubUse	Building Structure
A (1 RAJDEO AND 2 PRABHAWATI)	Residential	Bungalow/ Dwelling / Non Apartment	Non-Highrise

FAR & Tenement Details (Table 4c-1)

Building	No. of Same Bldg	Total Built Up Area (Sq.mt.)	Proposed FAR Area (Sq.mt.) Resi.	Total FAR Area (Sq.mt.)	Total Consumed Additional FAR Area (Sq.mt.)	Tnmt (No.)
A (1 RAJDEO AND 2 PRABHAWATI)	1	163.88	163.88	163.88	163.88	01
Grand Total :	1	163.88	163.88	163.88	163.88	01

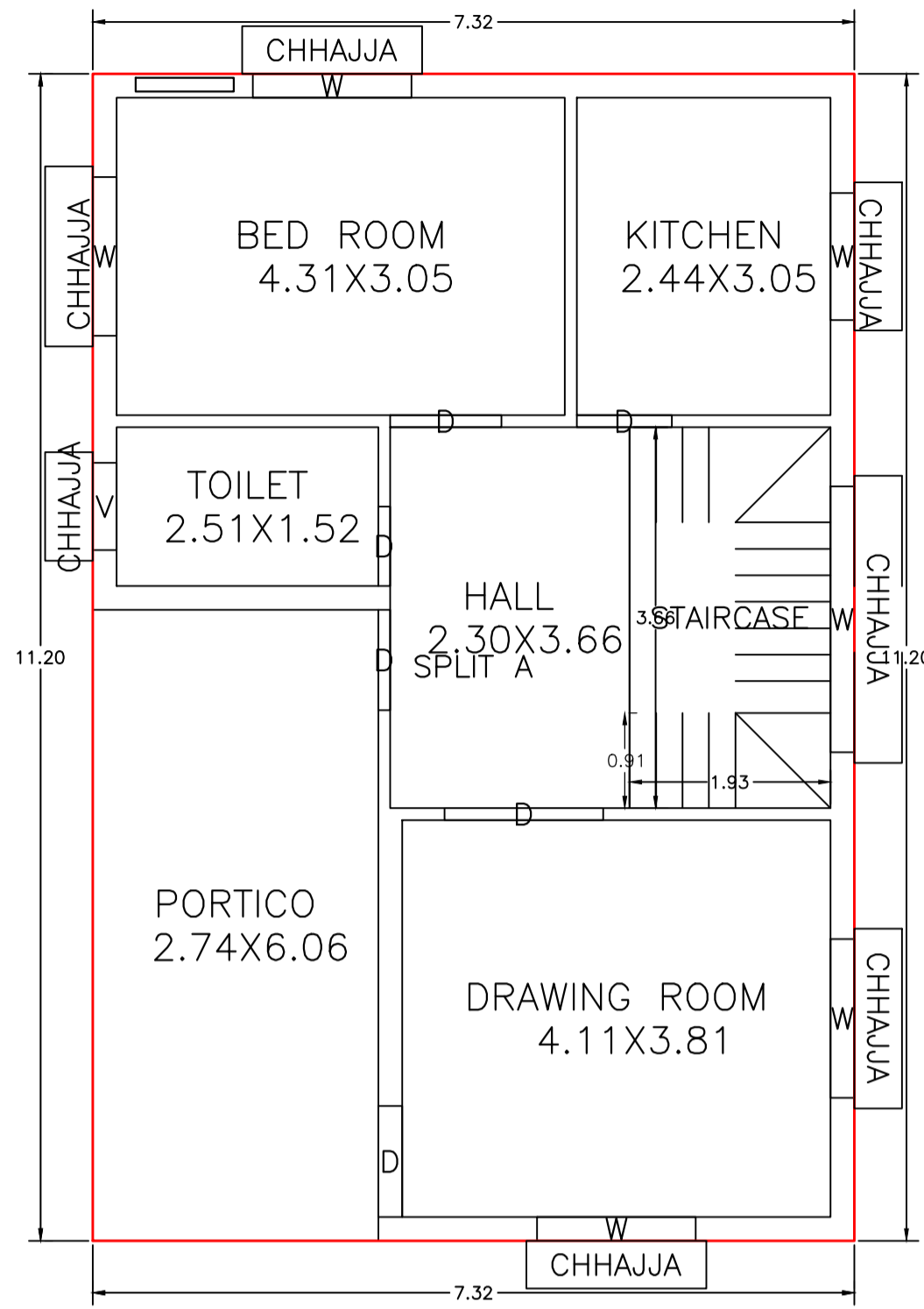


DETAILS OF COLUMN FOUNDATION
SCALE - 1" = 2'-0"

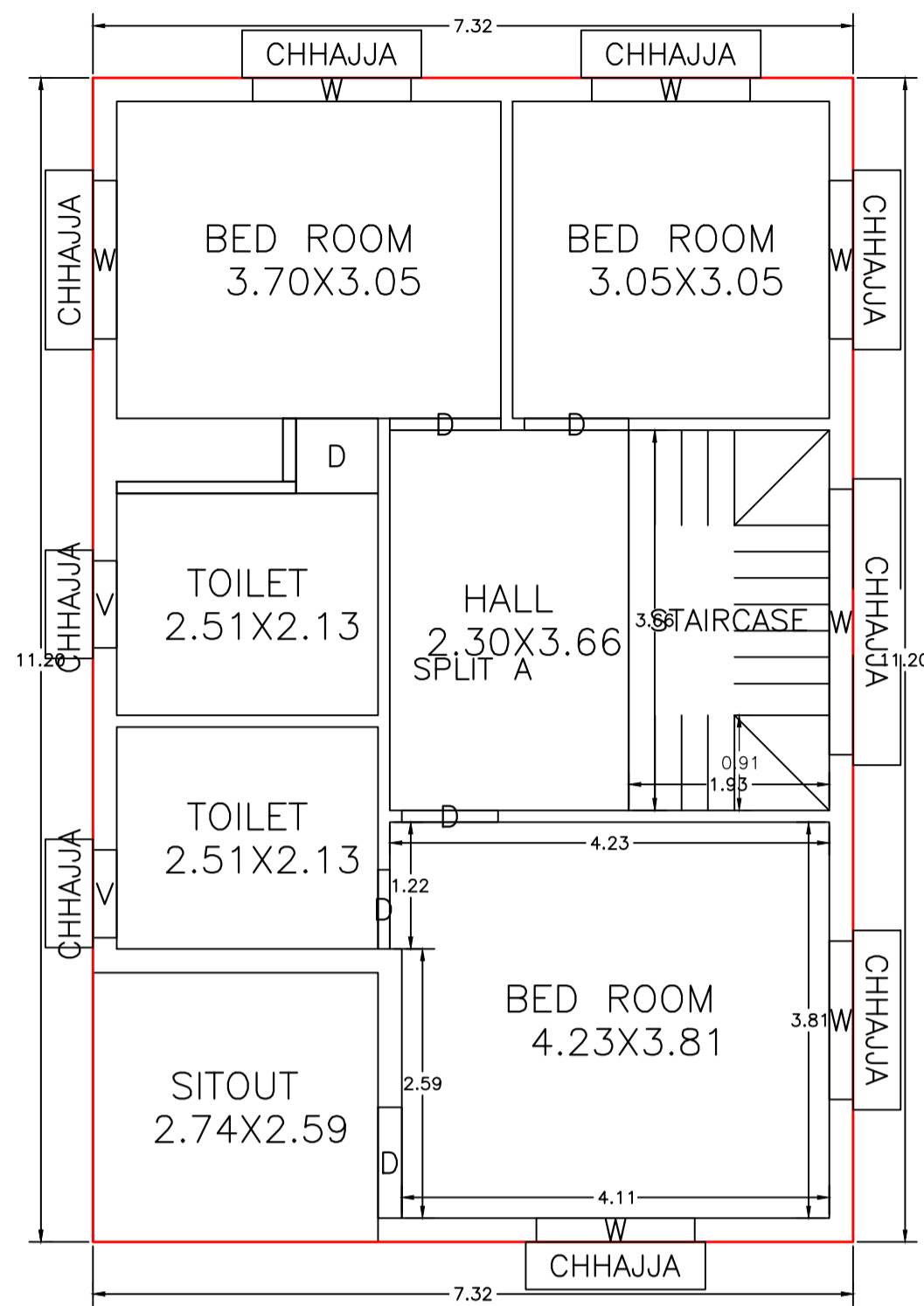


LTP NAME AND SIGNATURE	STRUCTURAL ENG'S NAME AND SIGNATURE	BUILDER NAME AND SIGNATURE	DIGITAL SIGNATURE
RAM PRATAP SINGH MADA/ARC/0024/2019			

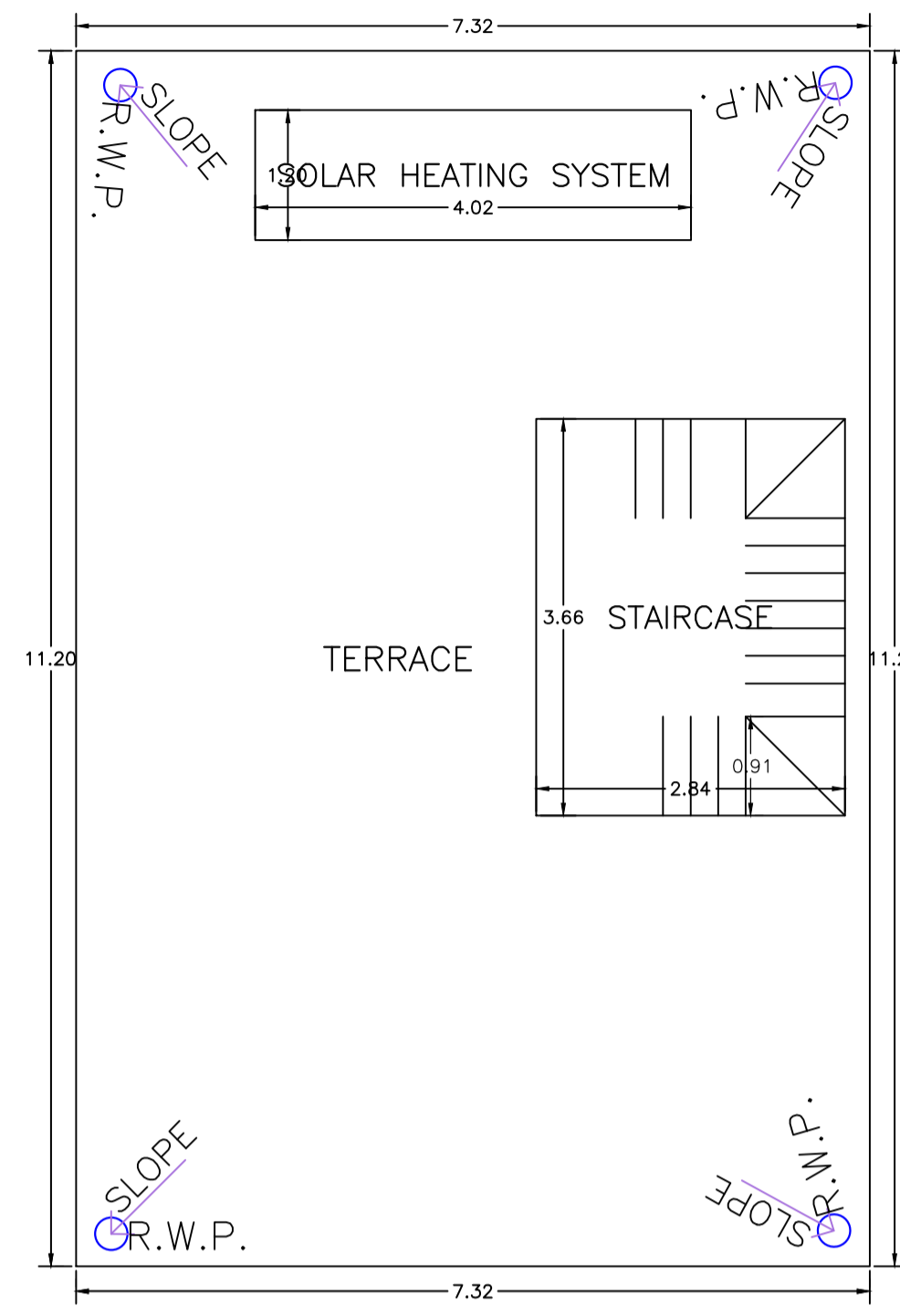
Proposal Basic Information	
Proposal File No.	MADA/BP/0055/2024
Owner Name	1. SRI RAJDEO SINGH AND 2. SMT. PRABHAWATI DEVI
Khata No	OLD KHATA NO-43, NEW KHATA NO-350
Plot No	OLD PLOT NO-2542, NEW PLOT NO-3881
Village Name	Bara Pichri
Use	Residential
SubUse	Bungalow/ Dwelling / Non Apartment



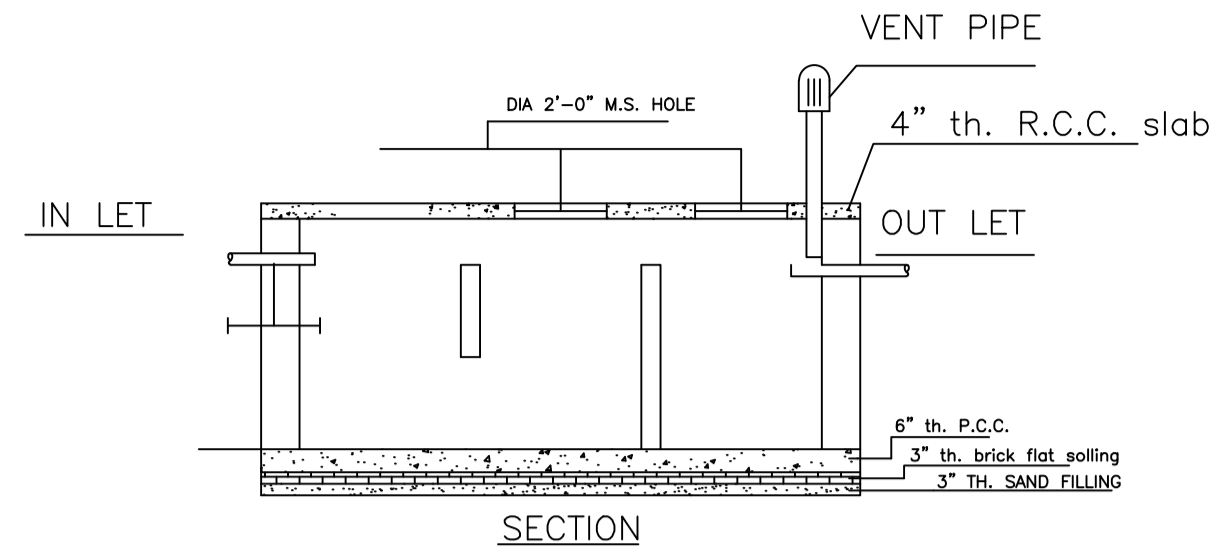
GROUND FLOOR PLAN
(Proposed)
(SCALE 1:100)



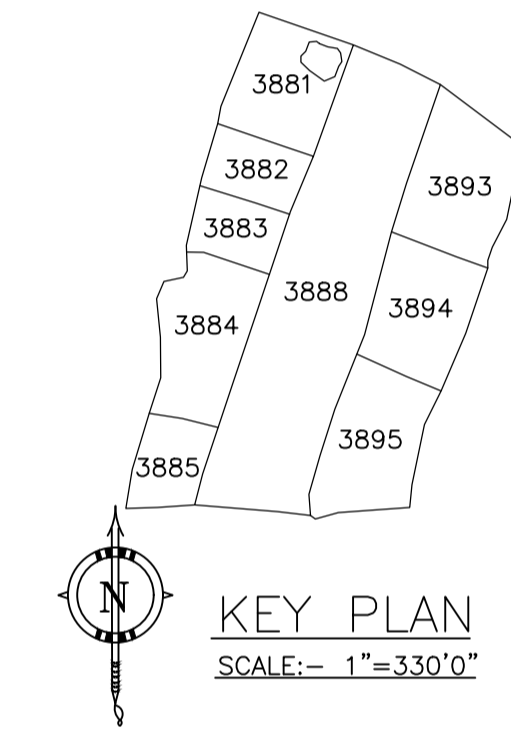
FIRST FLOOR PLAN
(Proposed)
(SCALE 1:100)



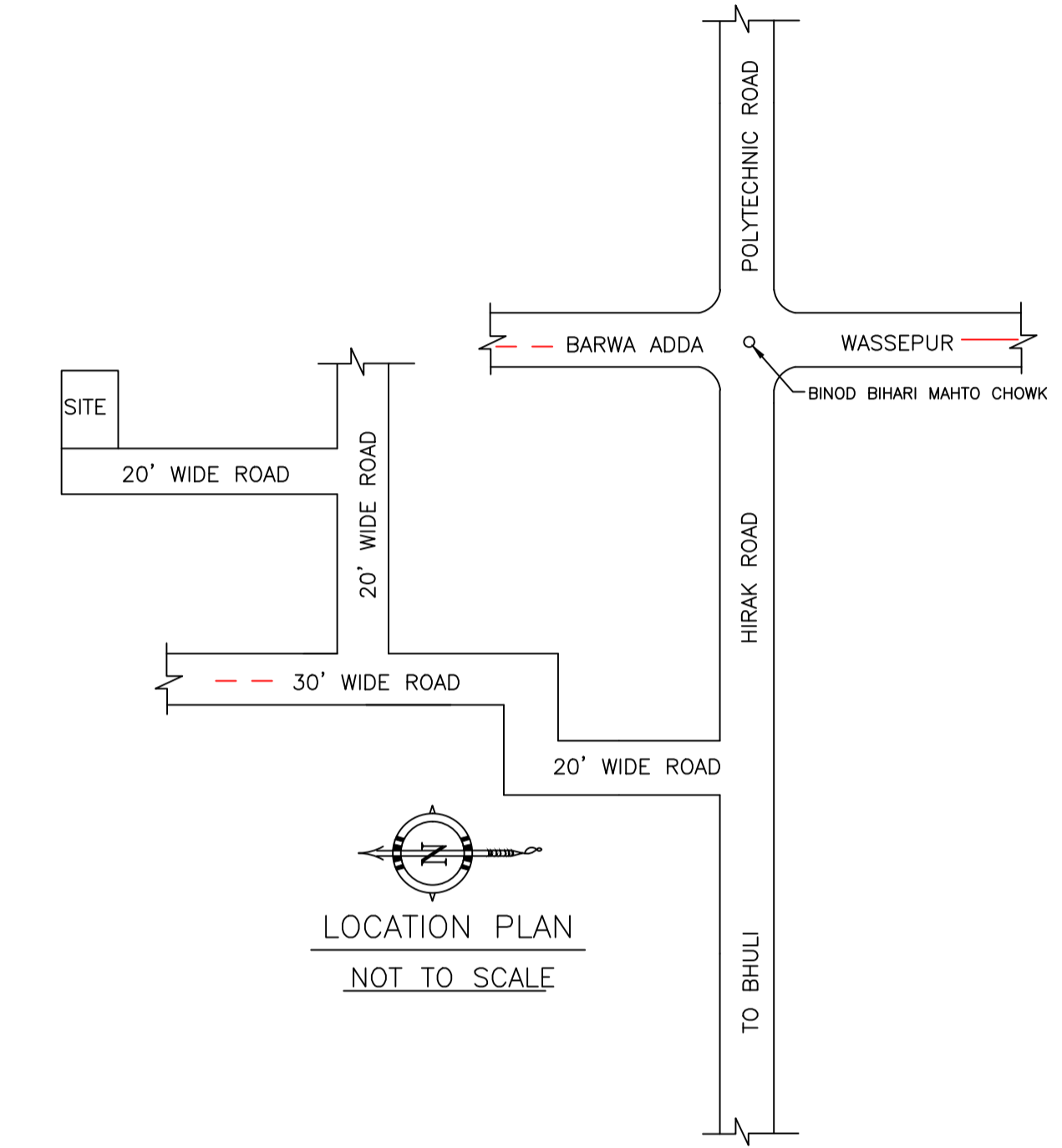
TERRACE FLOOR PLAN
(SCALE 1:100)



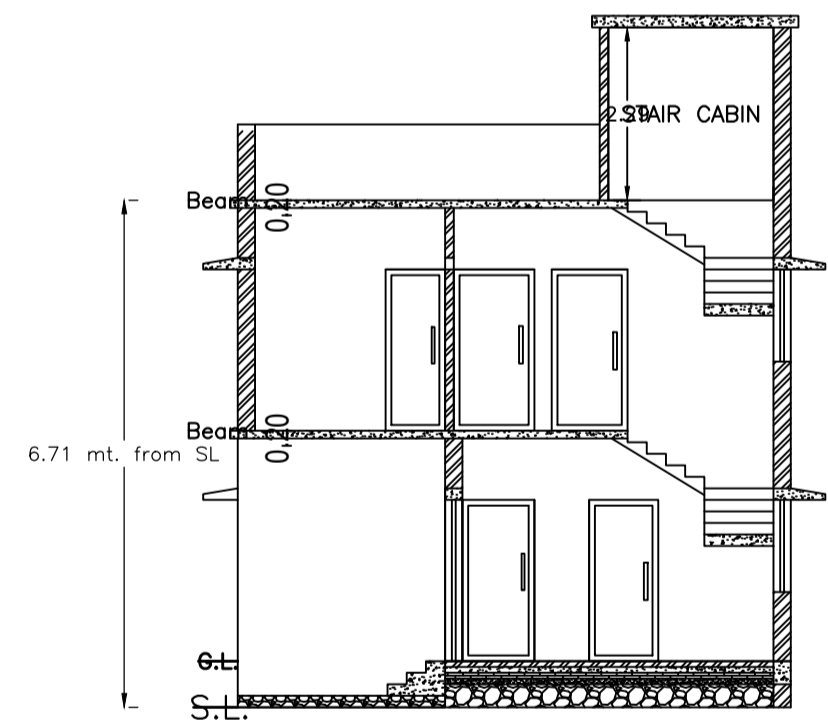
DETAILS OF SEPTIC TANK
SCALE - 1" = 4'-0"



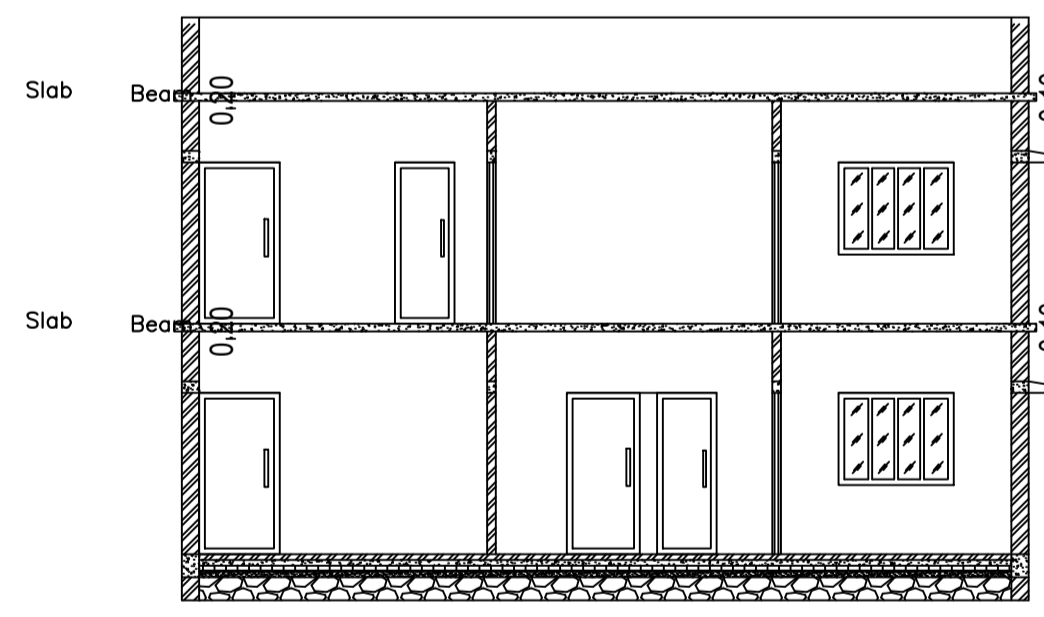
KEY PLAN
SCALE:- 1"=330'0"



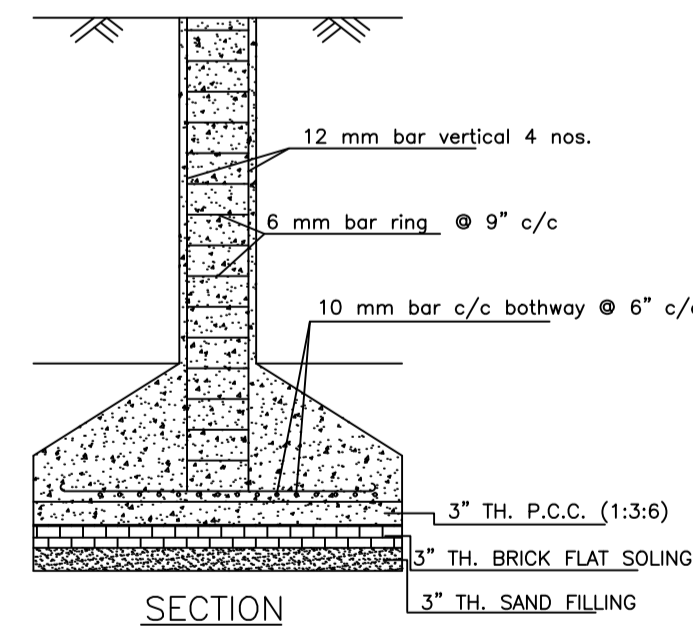
LOCATION PLAN
NOT TO SCALE



SECTION - XX'
SCALE - 1" = 8'-0"

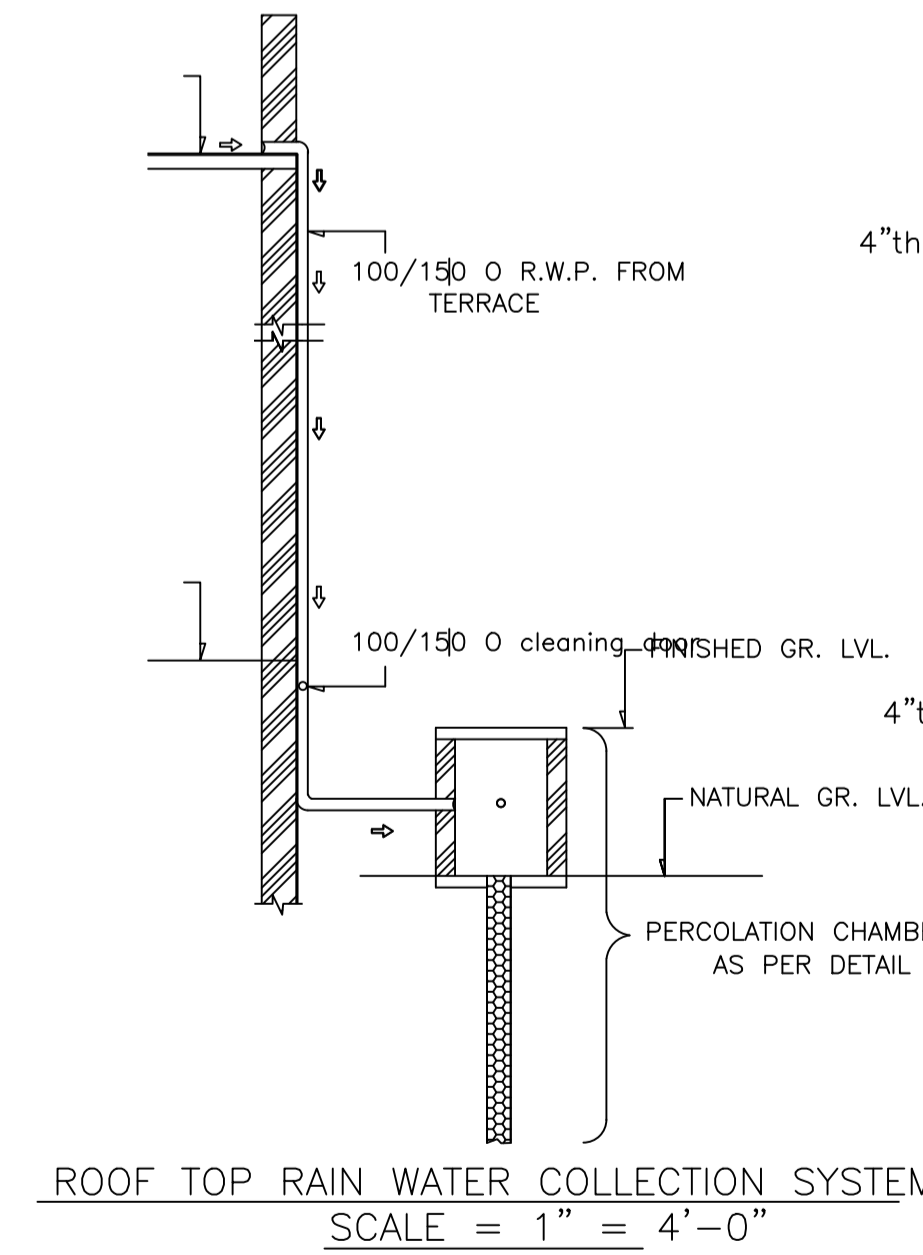


SECTION - YY'
SCALE - 1" = 8'-0"

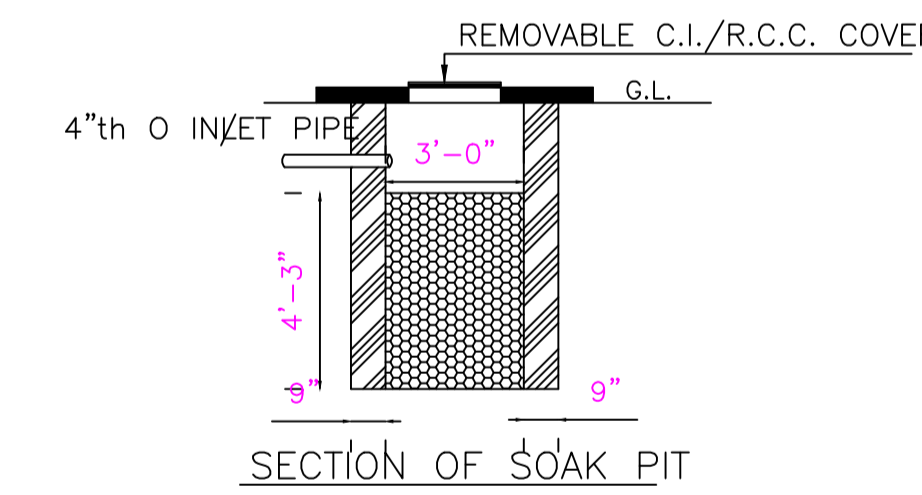


PLAN

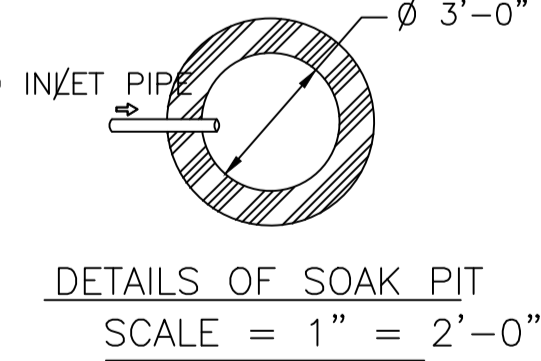
DETAILS OF COLUMN FOUNDATION
SCALE - 1" = 2'-0"



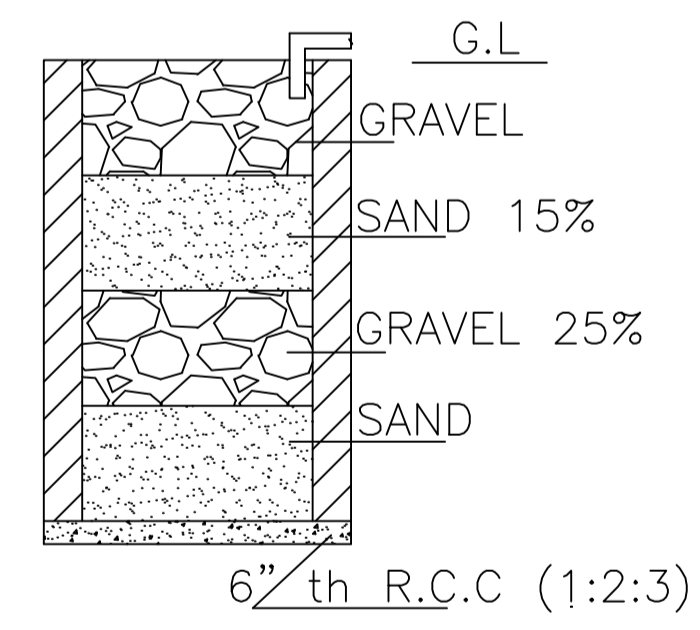
ROOF TOP RAIN WATER COLLECTION SYSTEM
SCALE = 1" = 4'-0"



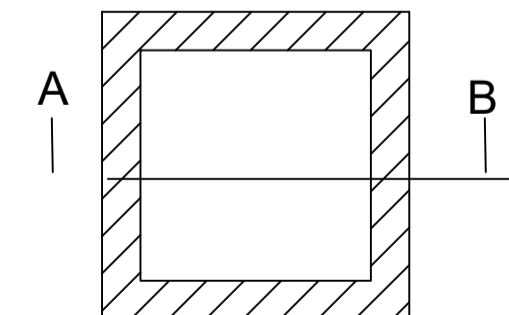
SECTION OF SOAK PIT



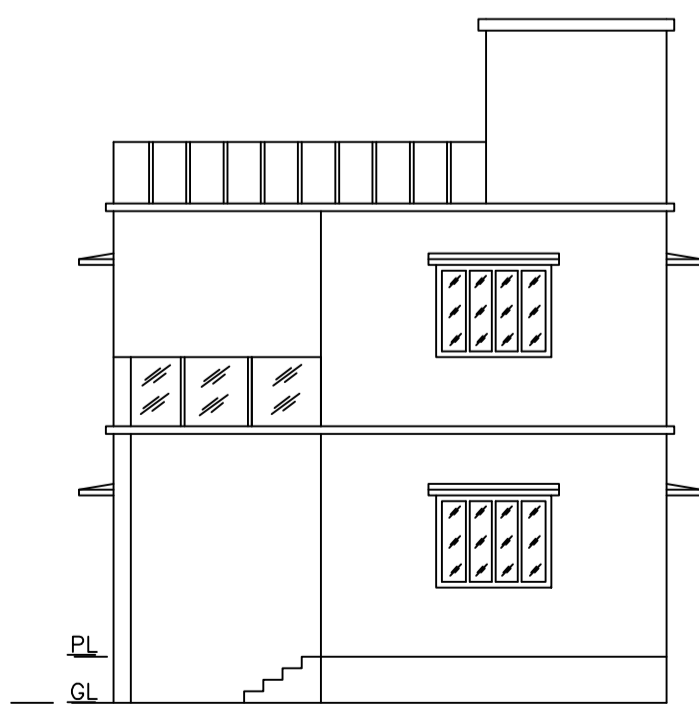
DETAILS OF SOAK PIT
SCALE = 1" = 2'-0"



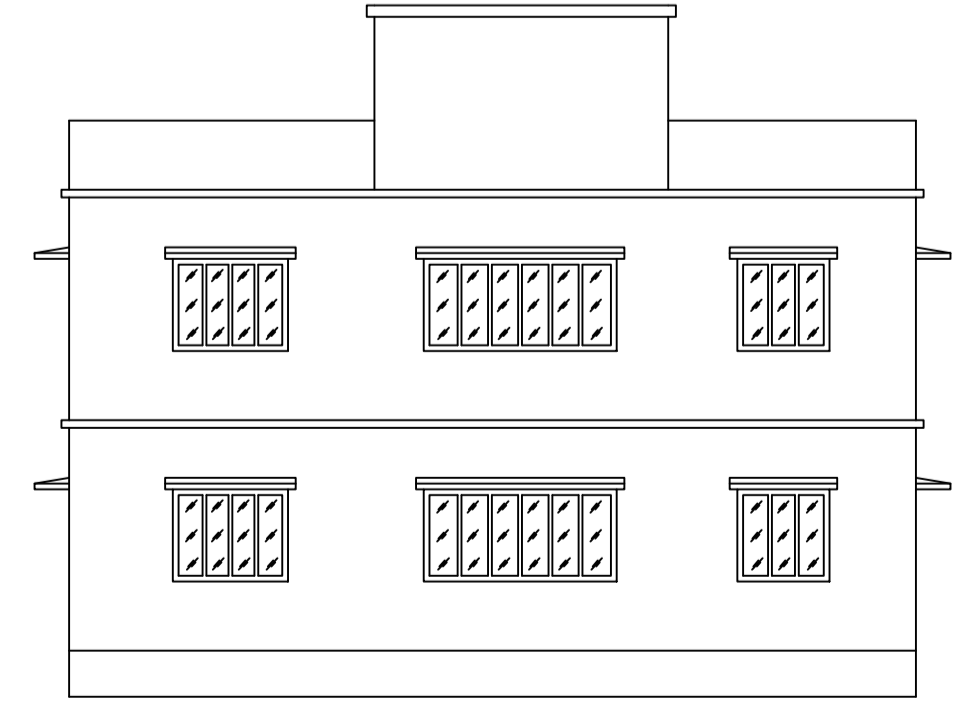
SECTION ON A - B



DETAILS DRAWING OF
RAIN WATER HARVESTING
SCALE:- 1"=2'-0"



FRONT ELEVATION
SCALE - 1" = 8'-0"



RIGHT SIDE ELEVATION
SCALE - 1" = 8'-0"

LTP NAME AND SIGNATURE	STRUCTURAL ENG'S NAME AND SIGNATURE	BUILDER NAME AND SIGNATURE	DIGITAL SIGNATURE
RAM PRATAP SINGH MADA/ARC/0024/2019			