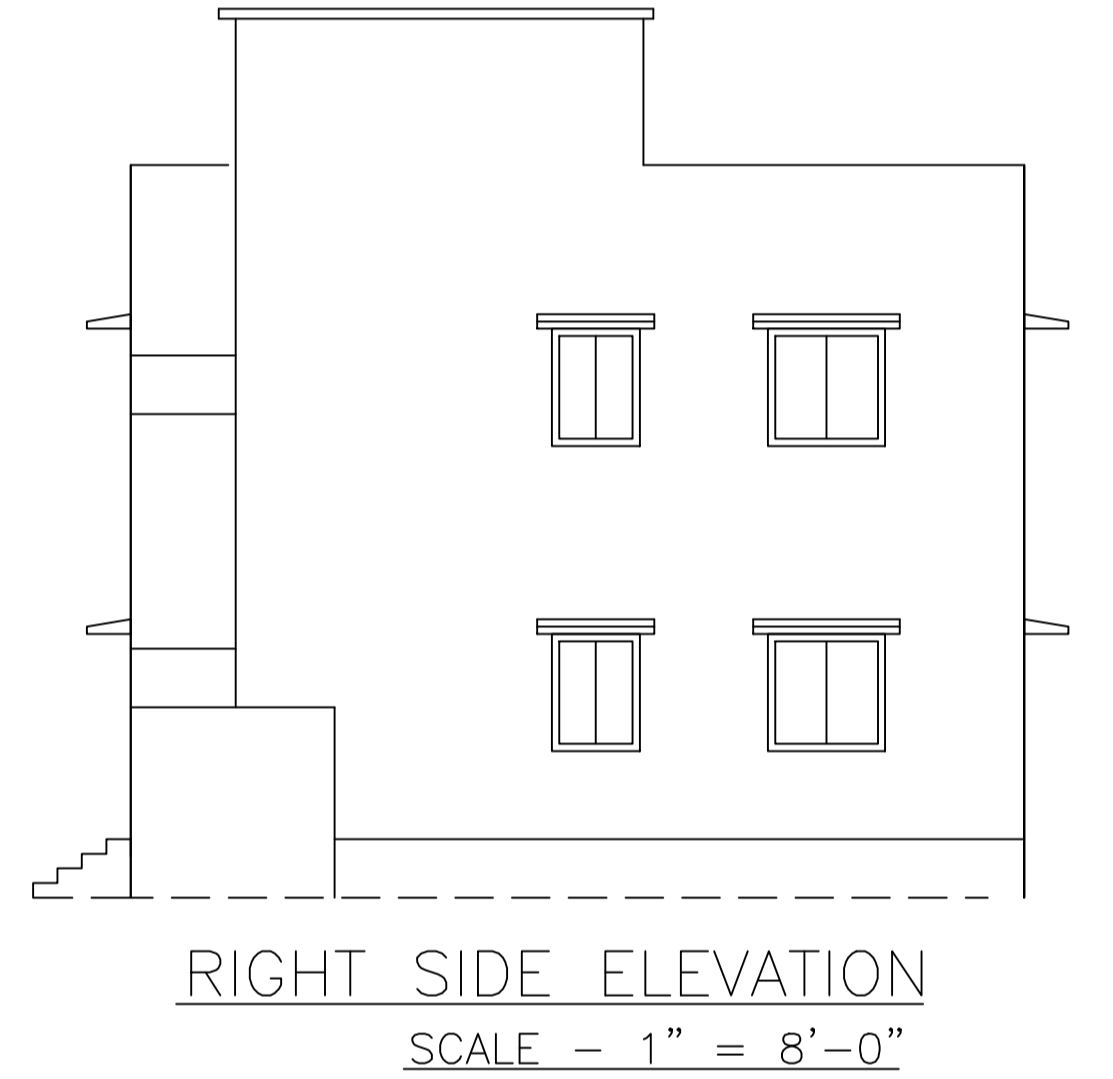
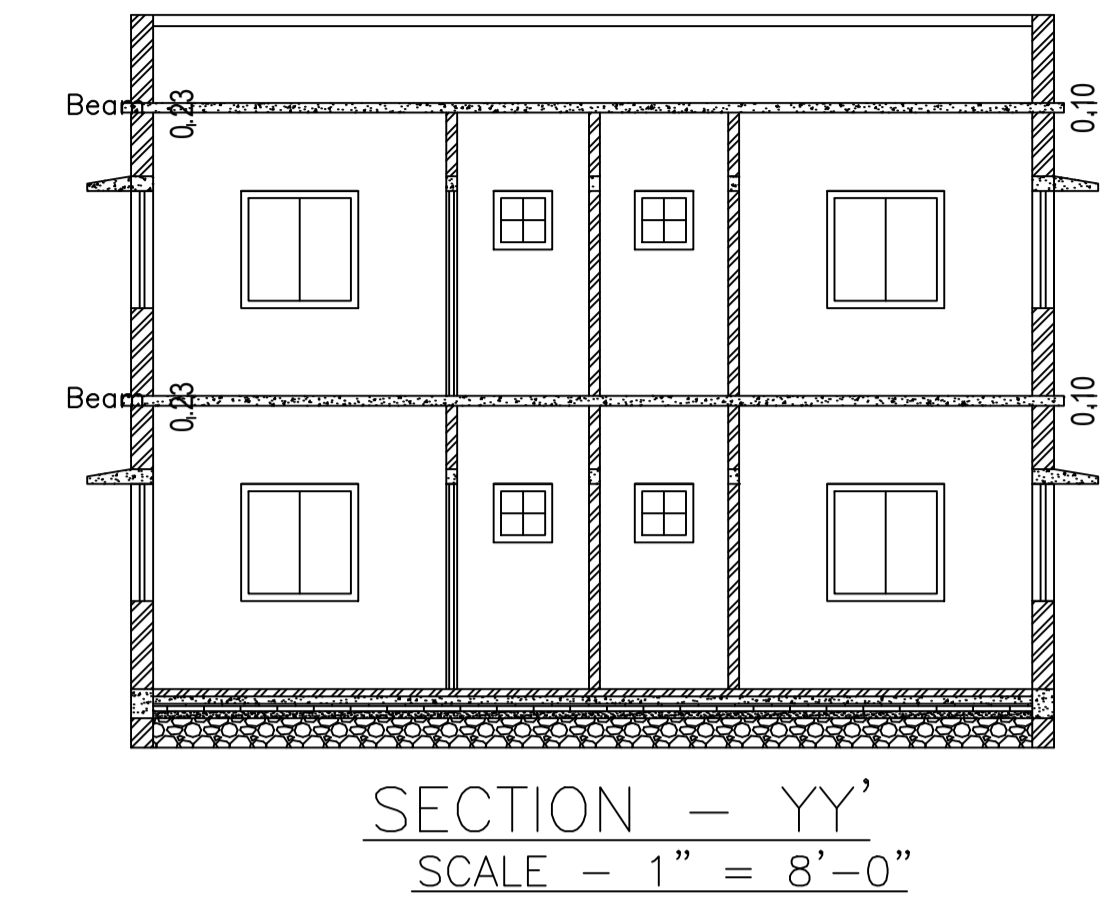
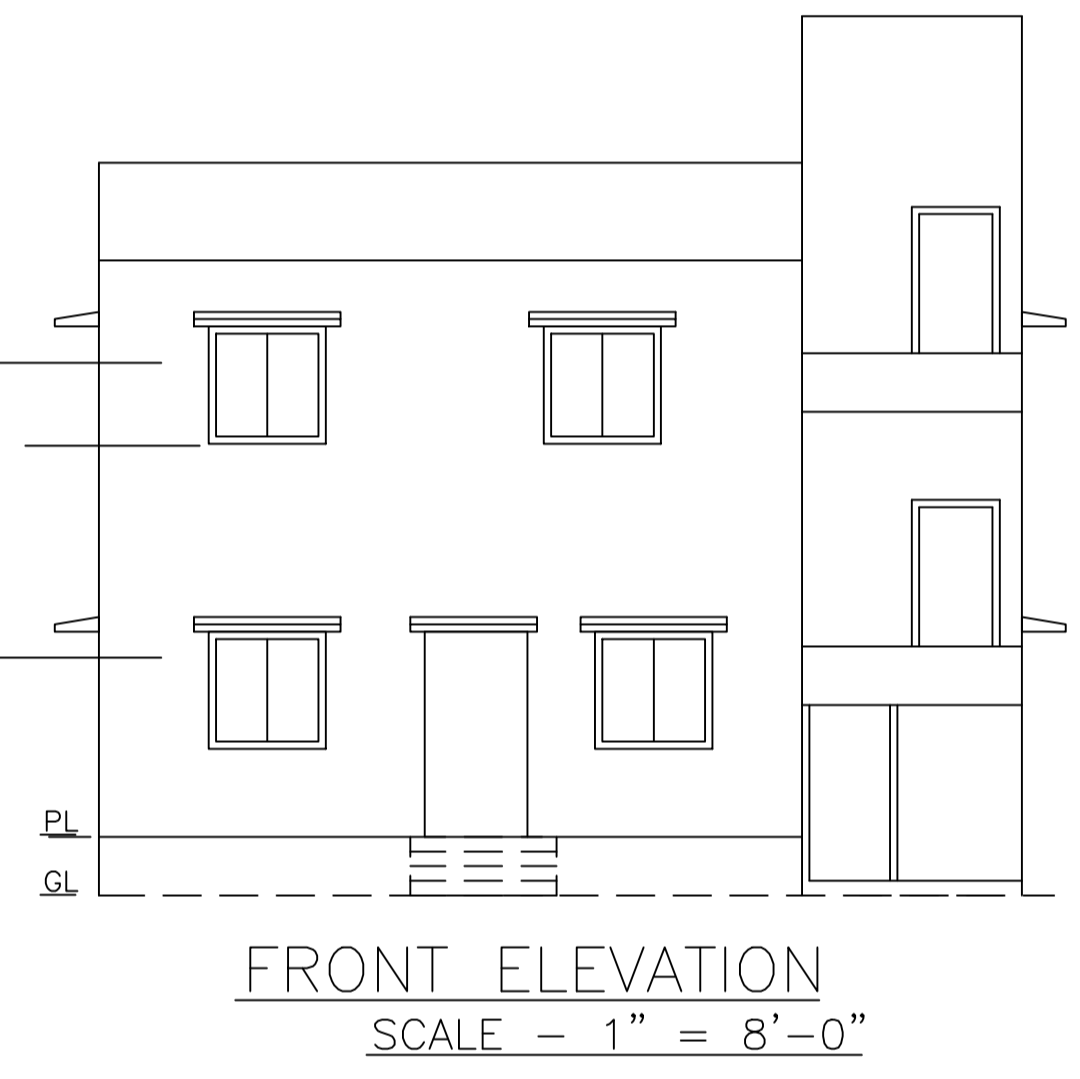
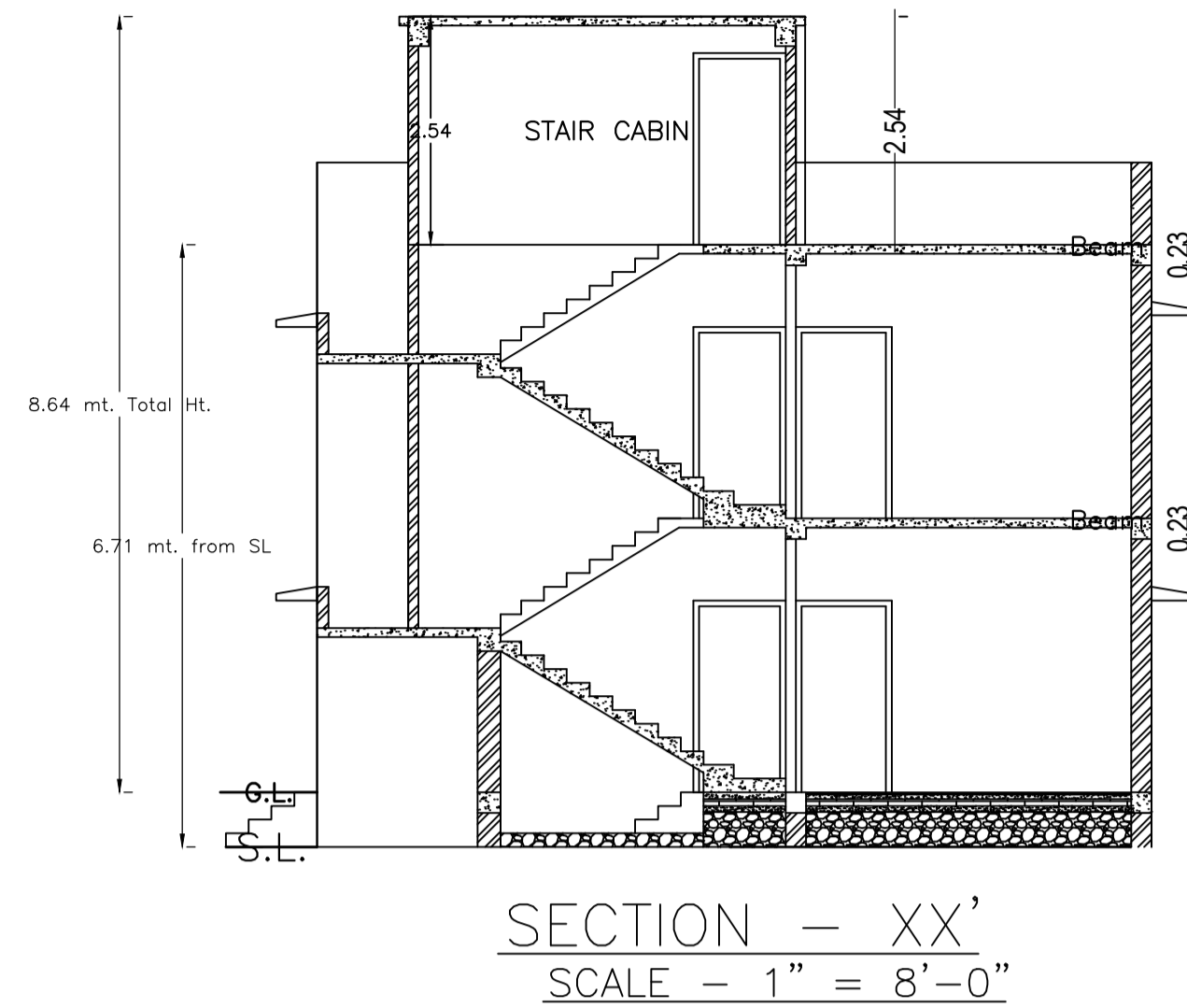


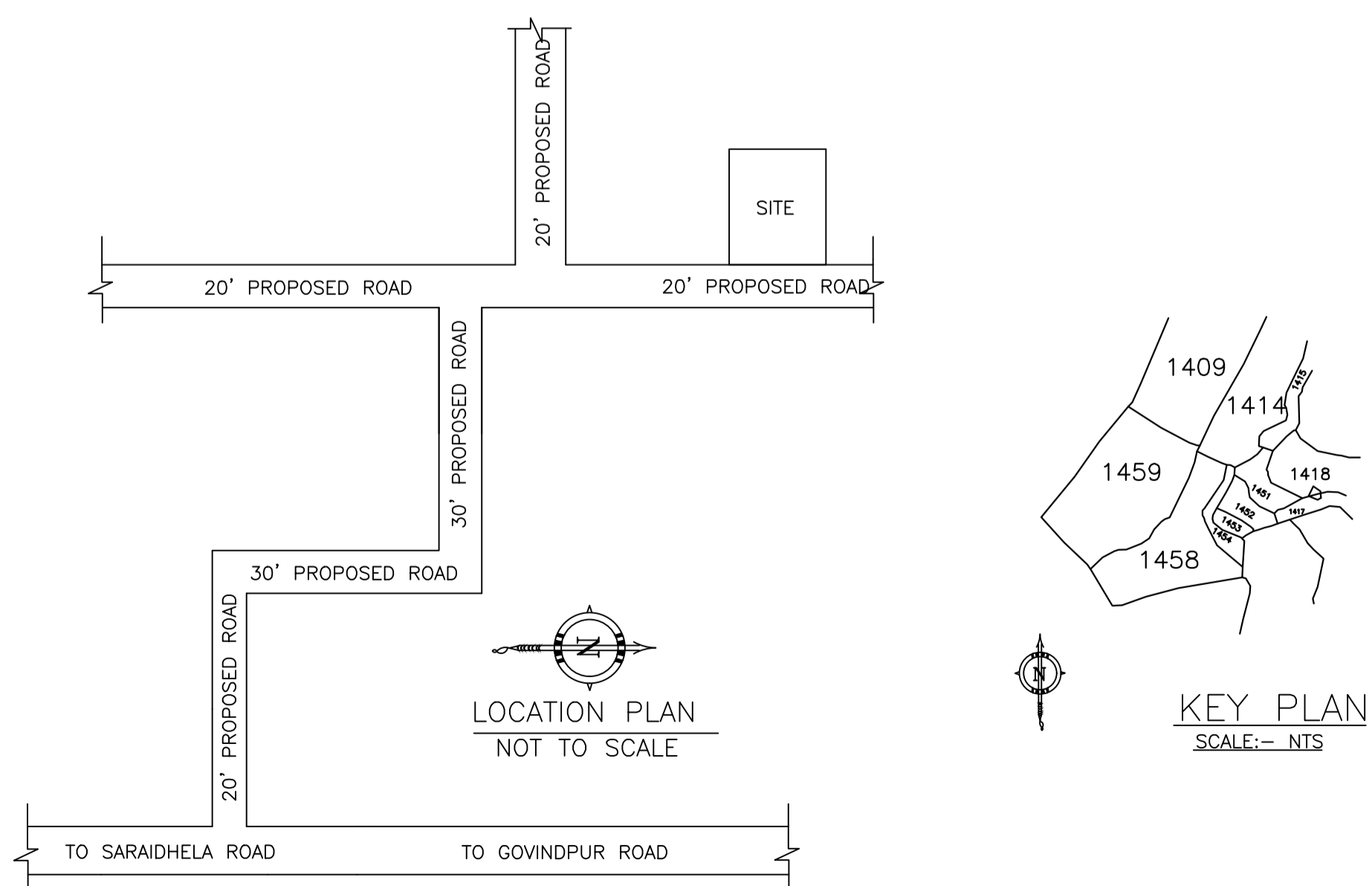
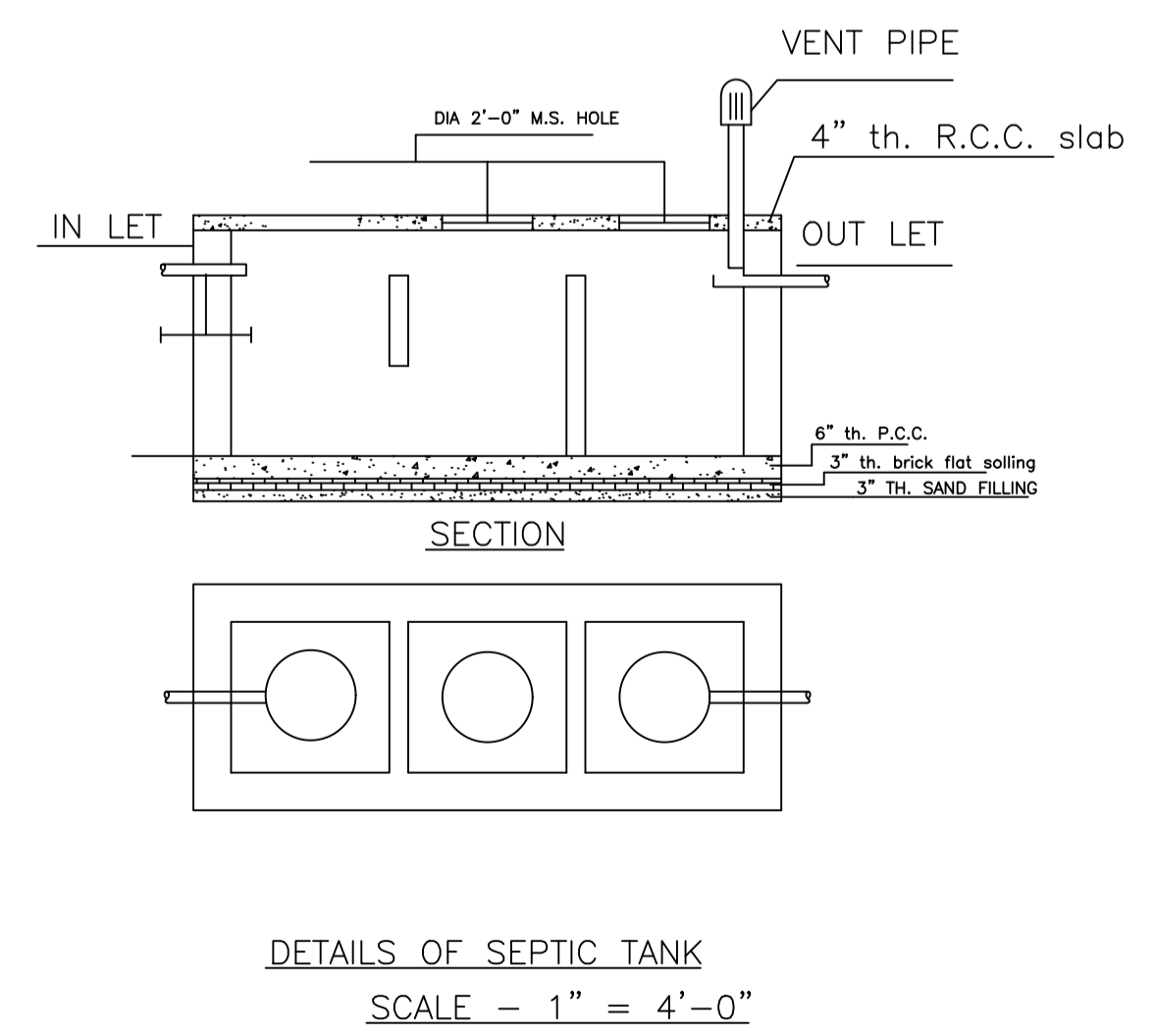
SITE PLAN
SCALE - 1" = 16'-0"
SITE PLAN



Proposal Basic Information

Proposal File No.	MADA/BP/0075/2024
Owner Name	SRI. SOURAV KUMAR CHOUBEY
Khata No	OLD KHATA NO-60 & 60 NEW KHATA NO-33 & 193
Plot No	OLD PLOT NO-510 & 510, NEW PLOT NO-1417 & 1418
Village Name	Jialgora
Use	Residential
SubUse	Bungalow/ Dwelling / Non Apartment

AREA STATEMENT MINERAL AREA DEVELOPMENT AUTHORITY	VERSION NO.: 1.0.69	SQ.MT.
PROJECT DETAIL:	VERSION DATE: 16/10/2020	
Region: JHARKHAND URBAN LOCAL BODIES	Plot Use: Residential	
District: DHANBAD	Plot SubUse: Bungalow/ Dwelling / Non Apartment	
Authority: MINERAL AREA DEVELOPMENT AUTHORITY	PlotNearby/ReligiousStructure: NA	
Inward_No: MADA/BP/0075/2024	Plot/SubPlot No: OLD PLOT NO-510 & 510, NEW PLOT NO-1417 & 1418	
Application Type: General Proposal	North: Plot No. - SAME PLOT	
Project Type: Building Permission	South: Plot No. - SAME PLOT	
Nature of Development: New	East: Road Width - 6.09	
Location of Development Area: Old Area	West: Plot No. - SAME PLOT	
AREA DETAILS:		
AREA OF PLOT (Minimum)	(A)	146.07
NET AREA OF PLOT(Gross Plot Area - Deduction from Gross Plot area)	(A-Deductions)	146.07
Deduction for Balance Plot Area(from Gross Plot Area)		
Common Plot		14.06
Total		14.06
BALANCE AREA OF PLOT(Net Plot Area - Recreational/Amenity space)	(A-Deductions)	132.00
PLOT AREA FOR COVERAGE(Net Plot Area)	(A-Deductions)	146.07
Plot Area for FAR (Net Plot Area + Road/Widening Area)	(A-Deductions)	146.07
COVERAGE CHECK		
Permissible Coverage area (70.00 %)		102.25
Proposed Coverage Area (61.11 %)		89.26
Total Prop. Coverage Area (61.11 %)		89.26
Balance coverage area (8.89 %)		12.99
FAR CHECK		
Perm. FAR Area (1.800)		262.93
Total Perm. FAR area		262.93
Residential FAR		178.51
Proposed FAR Area		178.51
Total Proposed FAR Area		178.51
Consumed FAR (Factor)		1.22
Balance FAR Area		84.42
BUILT UP AREA CHECK		
Total Proposed BuiltUp Area		178.52
ARCHITECT (Regd)	RAM PRATAP SINGH	
ENGINEER (Regd)		
SUPERVISOR (Regd)		
OWNER (Regd)	SRI. SOURAV KUMAR CHOUBEY	
DEVELOPMENT AUTHORITY		LOCAL BODY



UnitBUA Table for Building :A (SOURAV)

FLOOR	Name	UnitBUA Type	UnitBUA Area	Carpet Area	No. of Rooms	No. of Tenement
GROUND FLOOR PLAN	SPLIT 1	FLAT	178.51	178.38	8	1
FIRST FLOOR PLAN	SPLIT 1	FLAT	0.00	0.00	8	0
Total:	-	-	178.51	178.38	16	1

SCHEDULE OF DOOR:

BUILDING NAME	NAME	LENGTH	HEIGHT	NOS
A (SOURAV)	D	0.84	2.10	04
A (SOURAV)	D	0.91	2.10	03
A (SOURAV)	D	1.07	2.10	09
A (SOURAV)	O	2.29	2.10	01

SCHEDULE OF WINDOW/VENTILATION:

BUILDING NAME	NAME	LENGTH	HEIGHT	NOS
A (SOURAV)	V	0.61	1.20	04
A (SOURAV)	W	0.91	1.20	04
A (SOURAV)	W	1.22	1.20	12
A (SOURAV)	W	2.12	1.20	02

Building :A (SOURAV)

Floor Name	Total Built Up Area (Sq.mt.)	Proposed FAR Area (Sq.mt.) Resi.	Total FAR Area (Sq.mt.)	Total Consumed Additional FAR Area (Sq.mt.)	Tnmt (No.)
Ground Floor	89.26	89.26	89.26	89.26	01
First Floor	89.26	89.26	89.26	89.26	00
Terrace Floor	0.00	0.00	0.00	0.00	00
Total :	178.52	178.52	178.52	178.52	01
Total Number of Same Buildings	1				
Total :	178.52	178.52	178.52	178.52	01

COLOR INDEX

PLOT BOUNDARY	Black
ABUTTING ROAD	Green
PROPOSED CONSTRUCTION	Red
COMMON PLOT	Yellow
ROAD WIDENING AREA	Blue
EXISTING (To be retained)	Light Blue
EXISTING (To be demolished)	Orange

Buildingwise Floor FAR Details

Floor Name	Building Name A (SOURAV)		Total	
	Proposed Built Up Area (Sq.mt.)	Proposed FAR Area (Sq.mt.)	Total Proposed Built Up Area (Sq.mt.)	Total FAR Area (Sq.mt.)
Ground Floor	89.26	89.26	89.26	89.26
First Floor	89.26	89.26	89.26	89.26
Terrace Floor	0.00	0.00	0.00	0.00
Total :	178.52	178.52	178.52	178.52

Building USE/SUBUSE Details

Building Name	Building Use	Building SubUse	Building Structure
A (SOURAV)	Residential	Bungalow/ Dwelling / Non Apartment	Non-Highrise

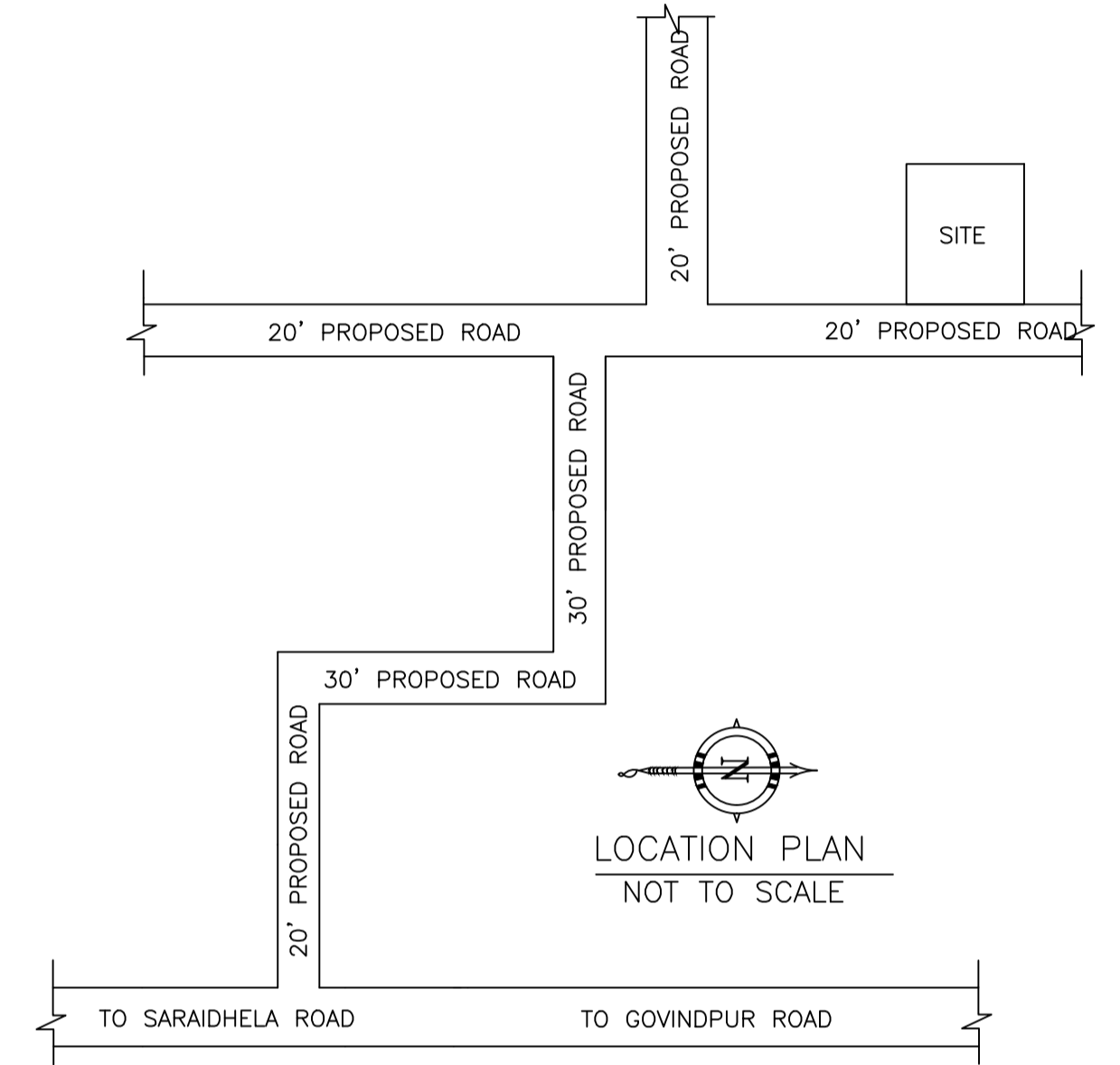
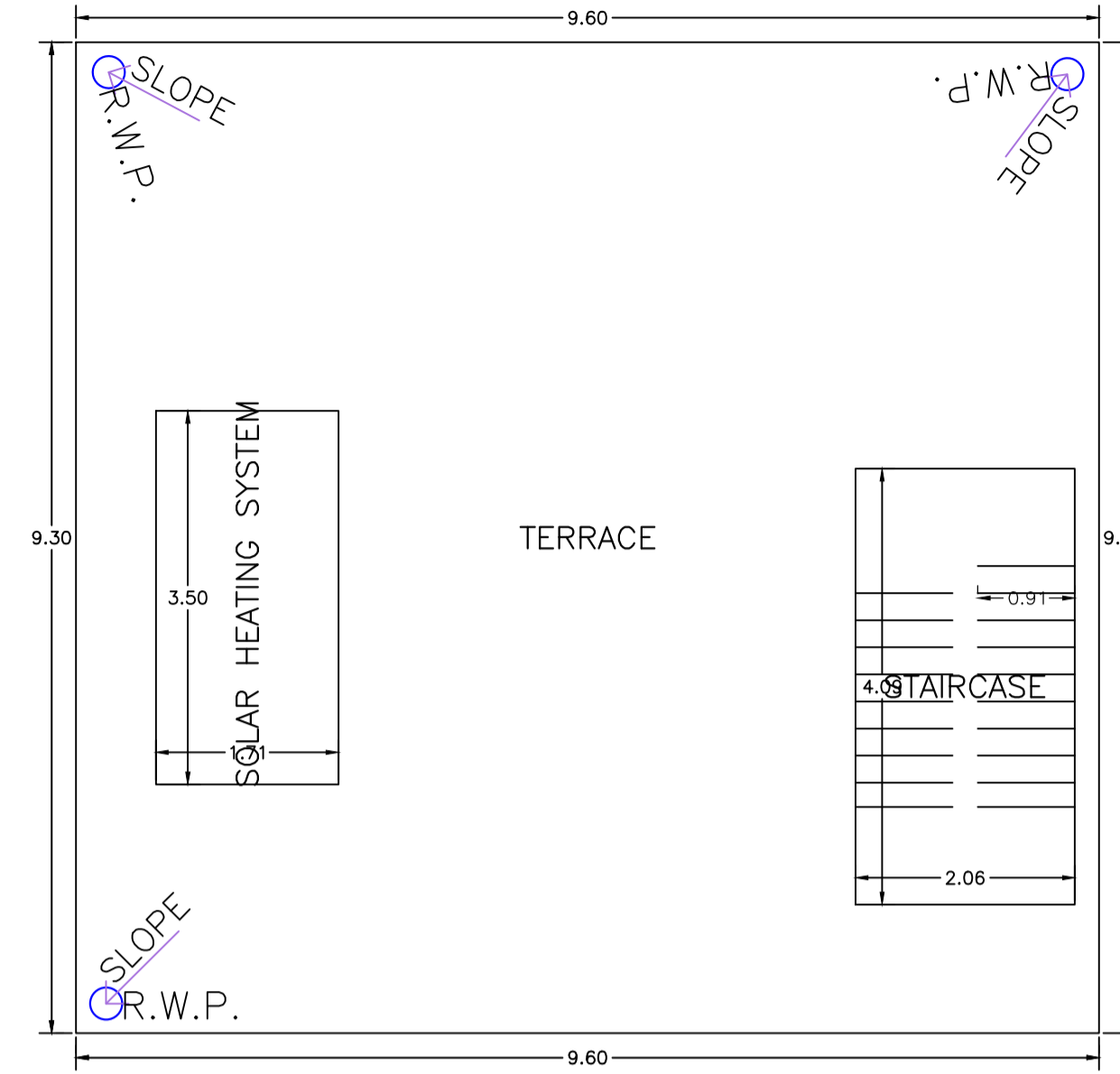
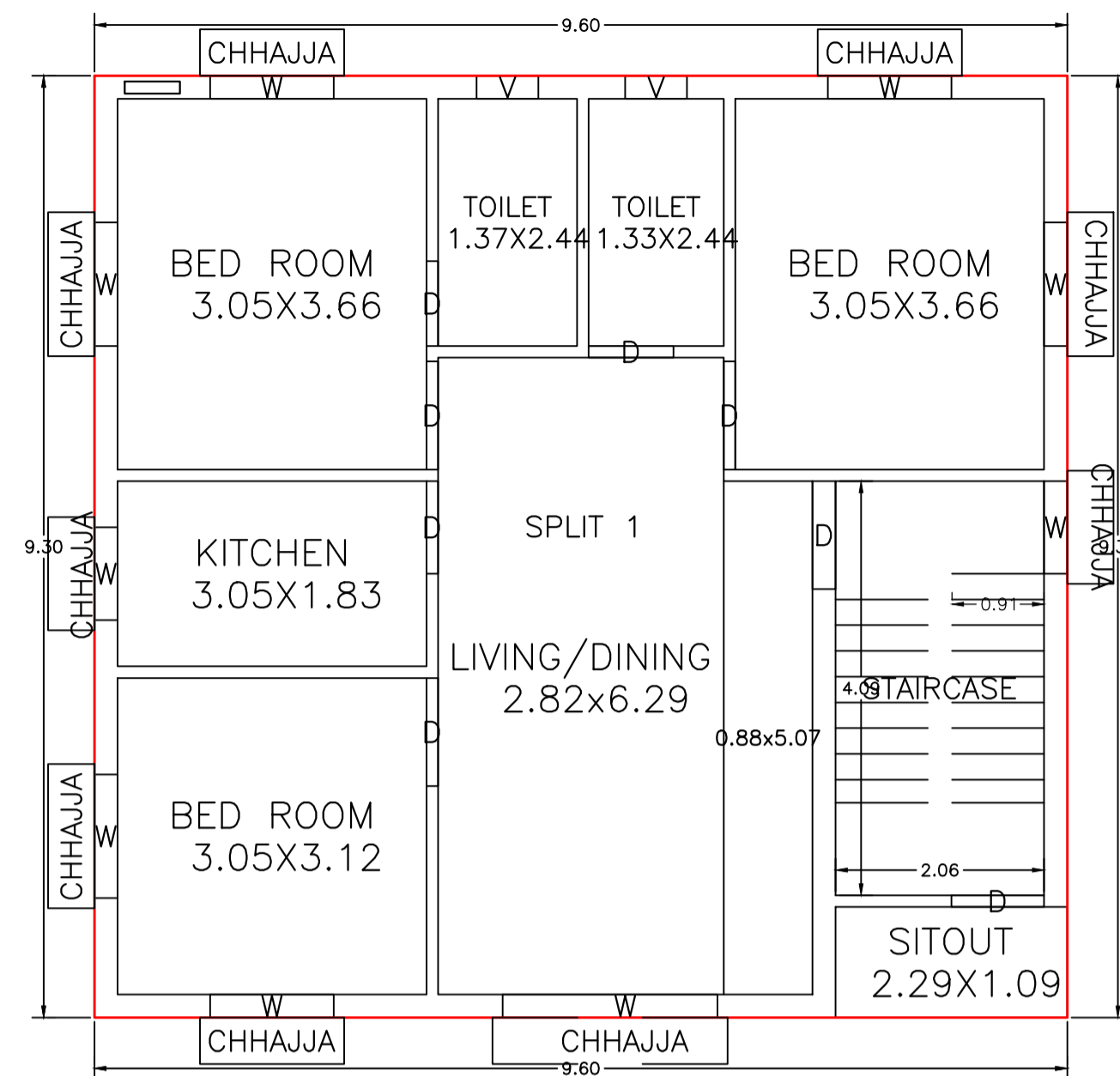
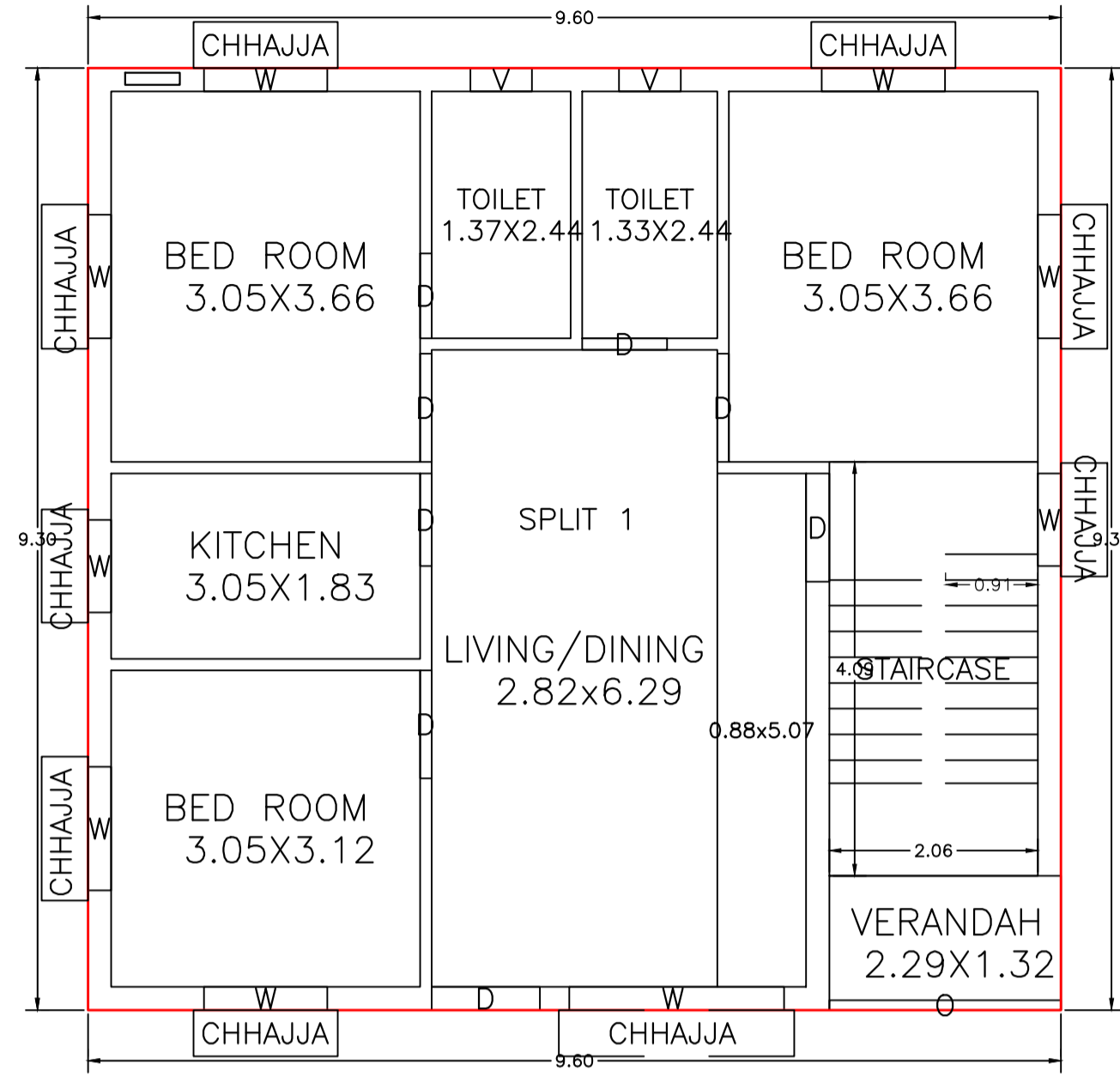
FAR & Tenement Details (Table 4c-1)

Building	No. of Same Bldg	Total Built Up Area (Sq.mt.)	Proposed FAR Area (Sq.mt.) Resi.	Total FAR Area (Sq.mt.)	Total Consumed Additional FAR Area (Sq.mt.)	Tnmt (No.)
A (SOURAV)	1	178.52	178.52	178.52	178.52	01
Grand Total :	1	178.52	178.52	178.52	178.52	01

LTP NAME AND SIGNATURE RAM PRATAP SINGH MADA/ARC/0024/2019	STRUCTURAL ENG'S NAME AND SIGNATURE	BUILDER NAME AND SIGNATURE	DIGITAL SIGNATURE
--	-------------------------------------	----------------------------	-------------------

Proposal Basic Information

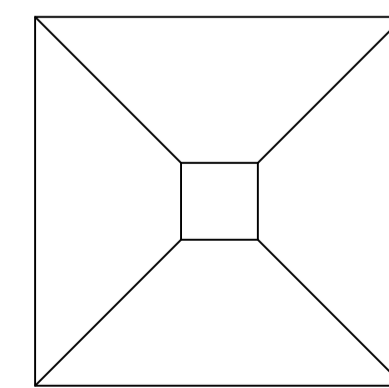
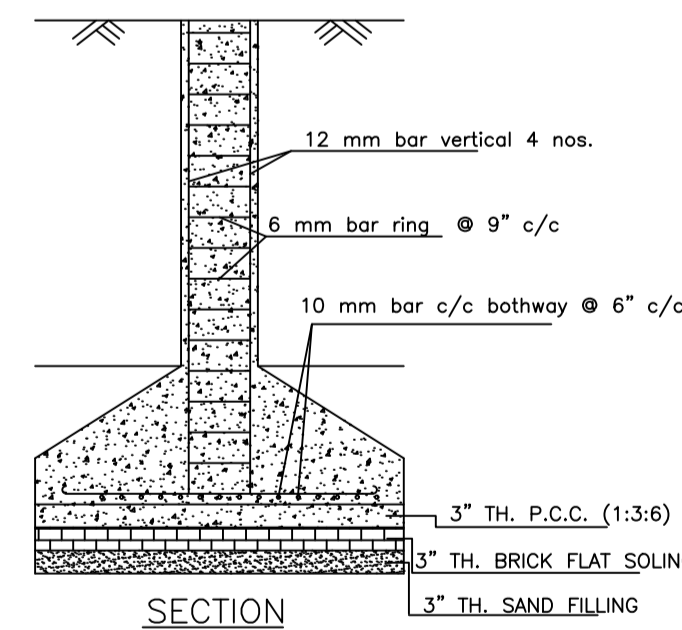
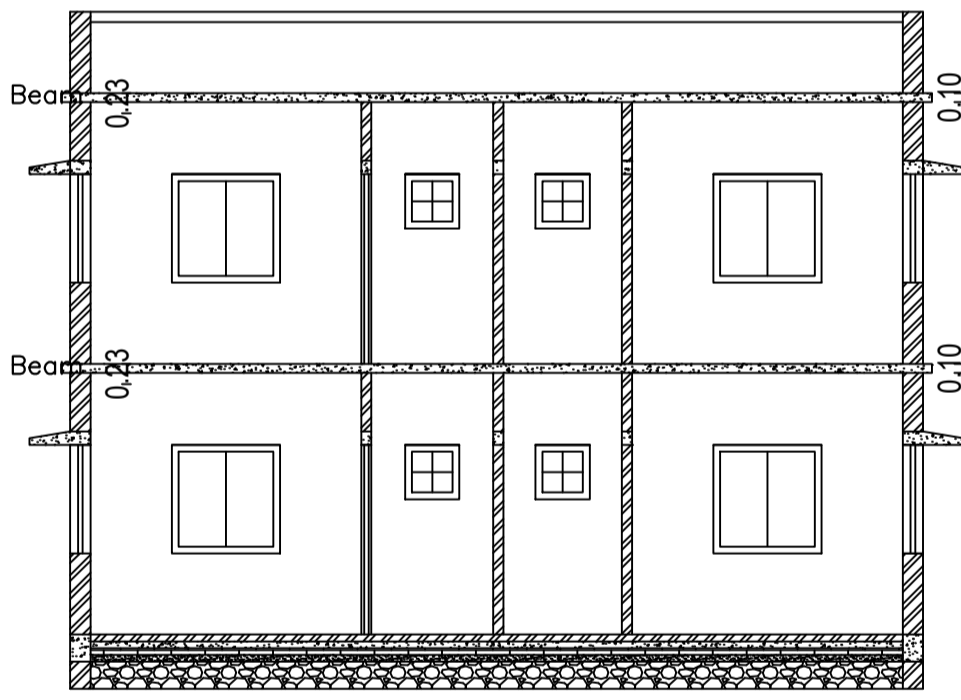
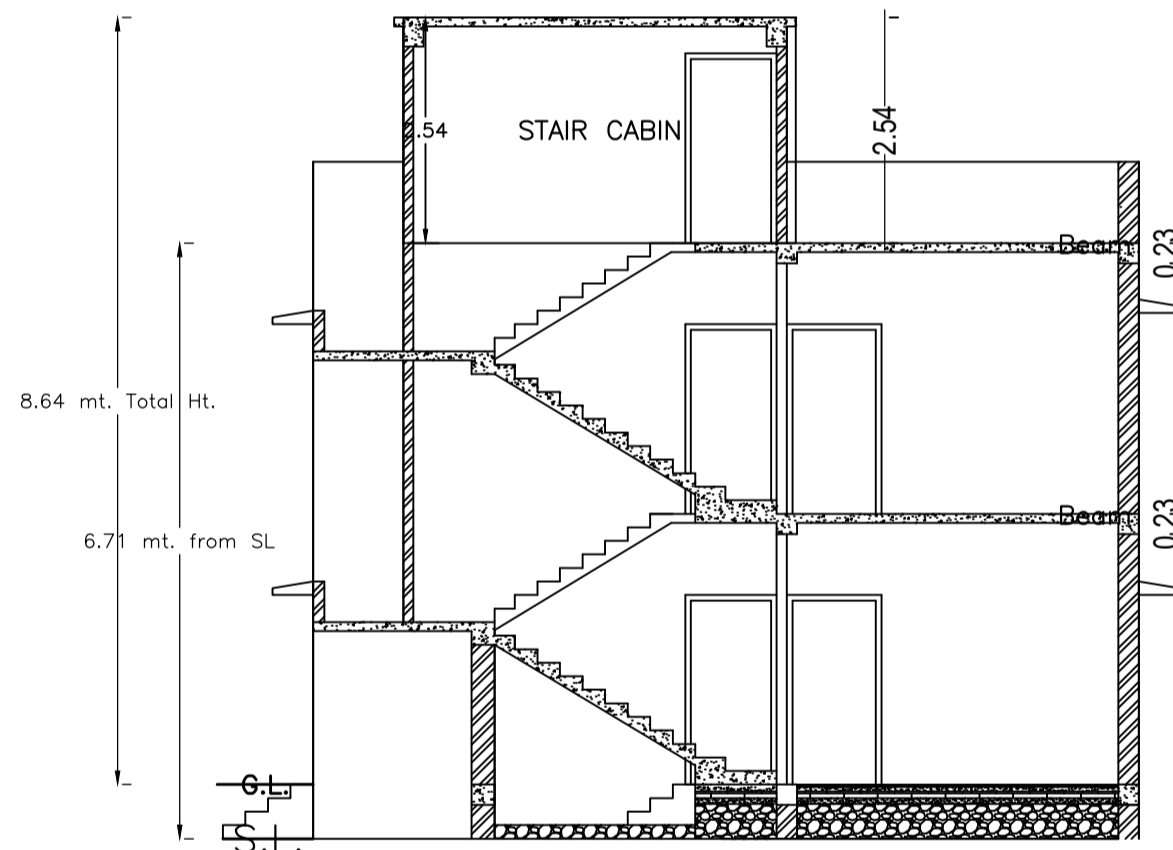
Proposal File No.	MADA/BP/0075/2024
Owner Name	SRI. SOURAV KUMAR CHOUBEY
Khata No	OLD KHATA NO-60 & 60 NEW KHATA NO-33 & 193
Plot No	OLD PLOT NO-510 & 510, NEW PLOT NO-1417 & 1418
Village Name	Jialgora
Use	Residential
SubUse	Bungalow/ Dwelling / Non Apartment



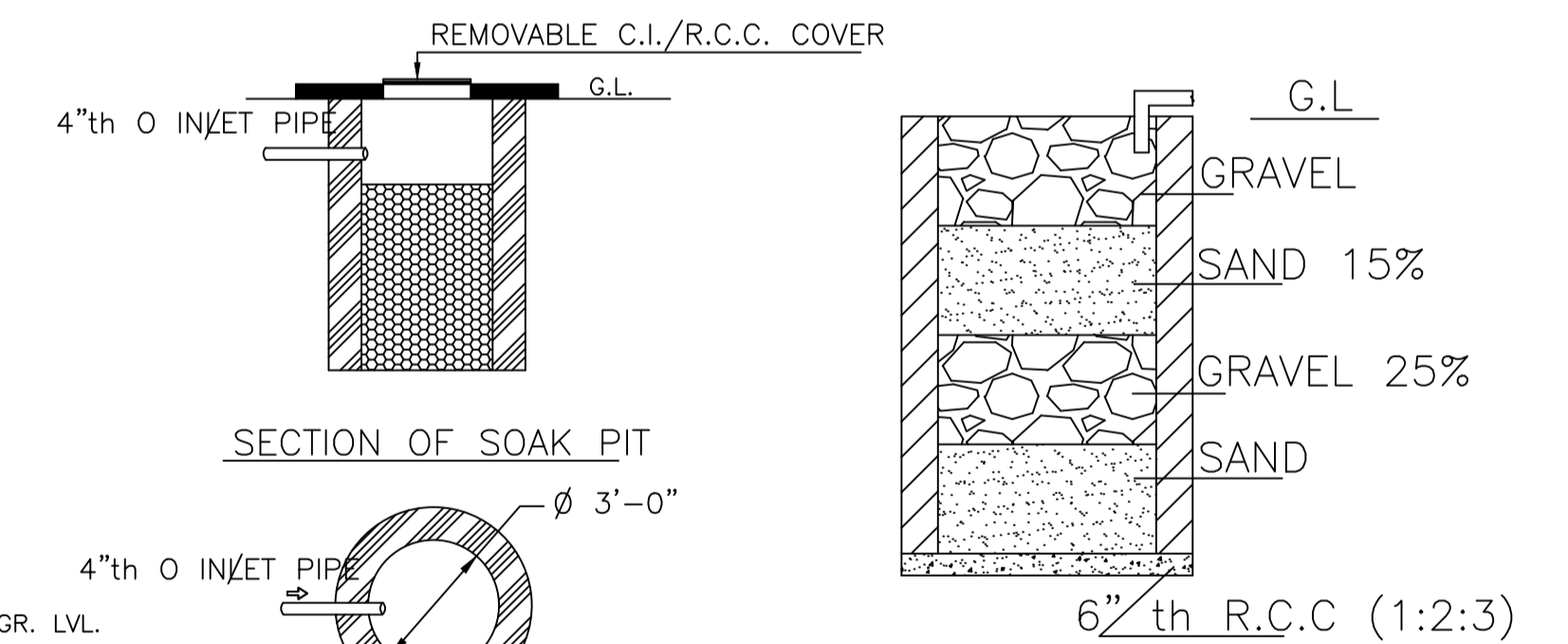
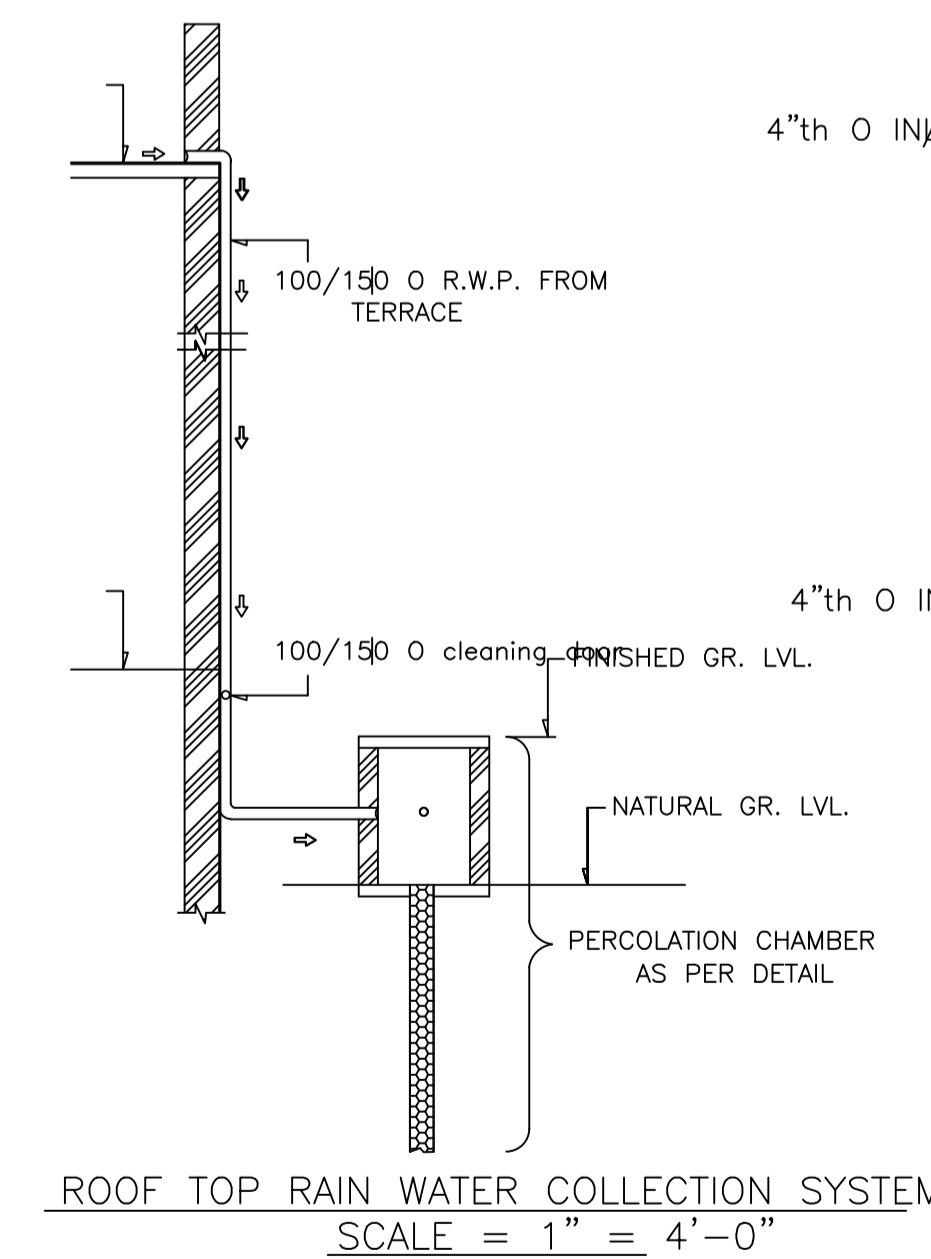
GROUND FLOOR PLAN (Proposed) (SCALE 1:100)

FIRST FLOOR PLAN (Proposed) (SCALE 1:100)

TERRACE FLOOR PLAN (SCALE 1:100)

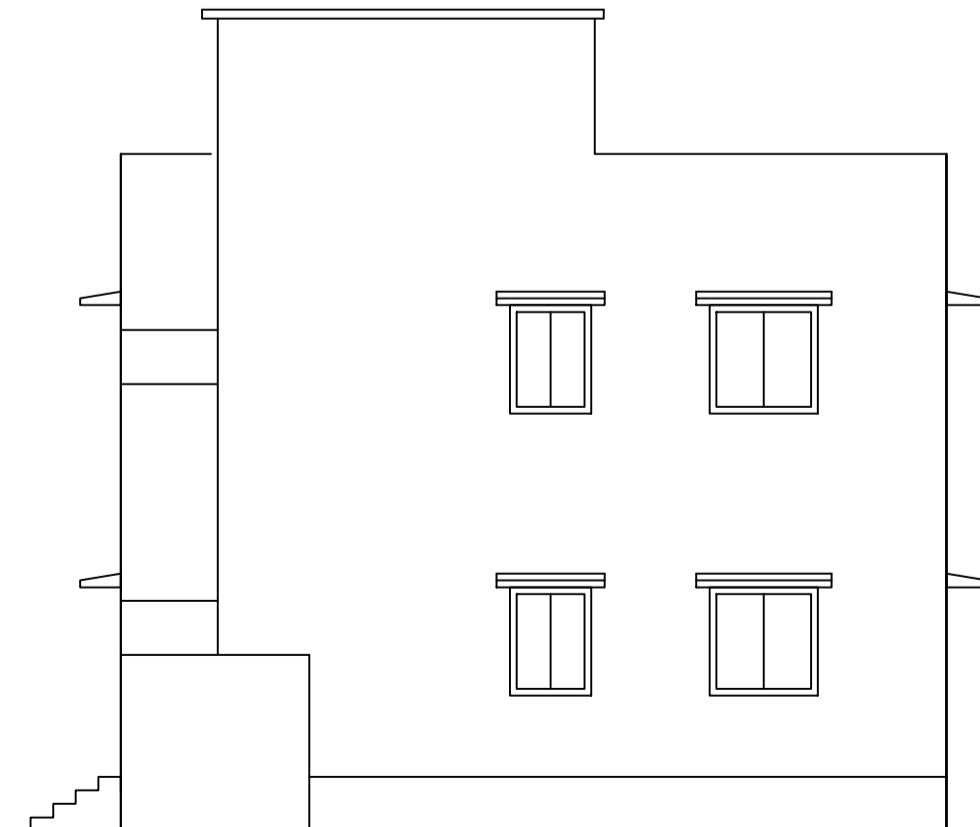
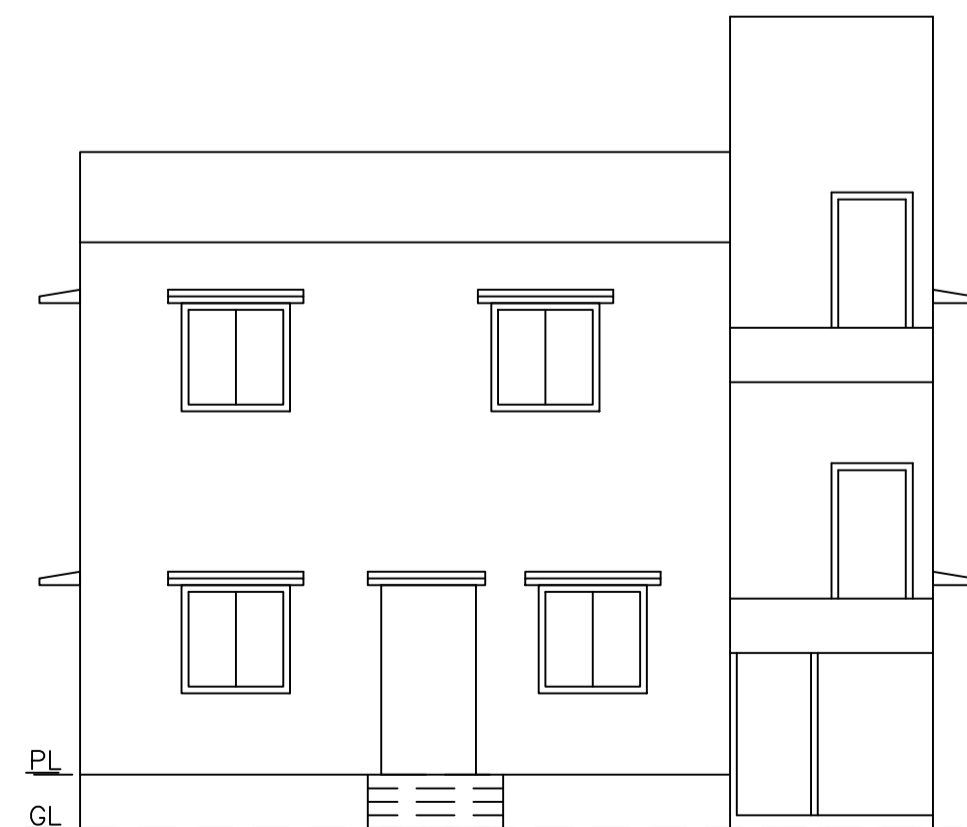


DETAILS OF COLUMN FOUNDATION SCALE - 1" = 2'-0"



DETAILS OF SOAK PIT SCALE = 1" = 2'-0"

DETAILS DRAWING OF RAIN WATER HARVESTING SCALE:- 1"=2'-0"



LTP NAME AND SIGNATURE	STRUCTURAL ENG'S NAME AND SIGNATURE	BUILDER NAME AND SIGNATURE	DIGITAL SIGNATURE
RAM PRATAP SINGH MADA/ARC/0024/2019			