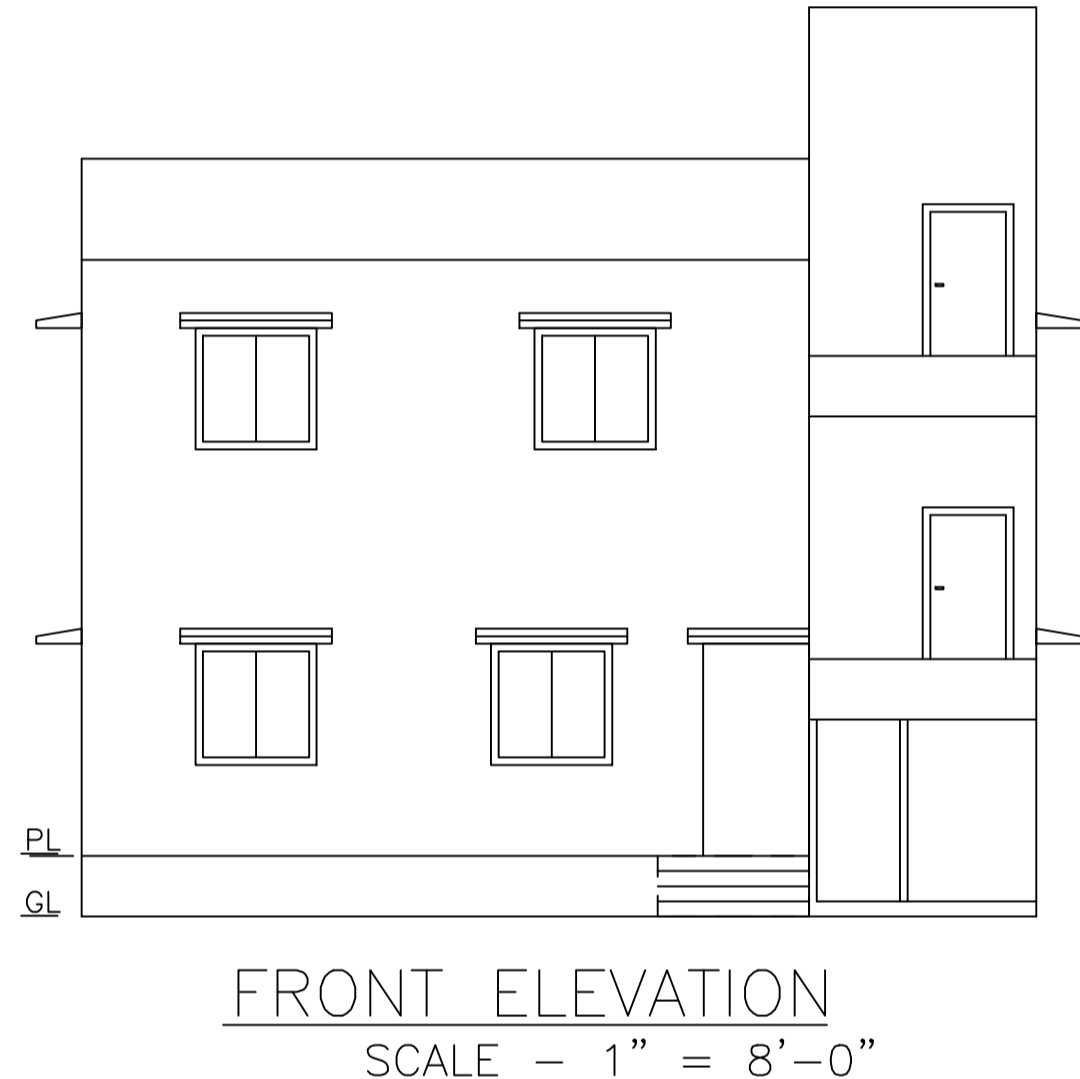
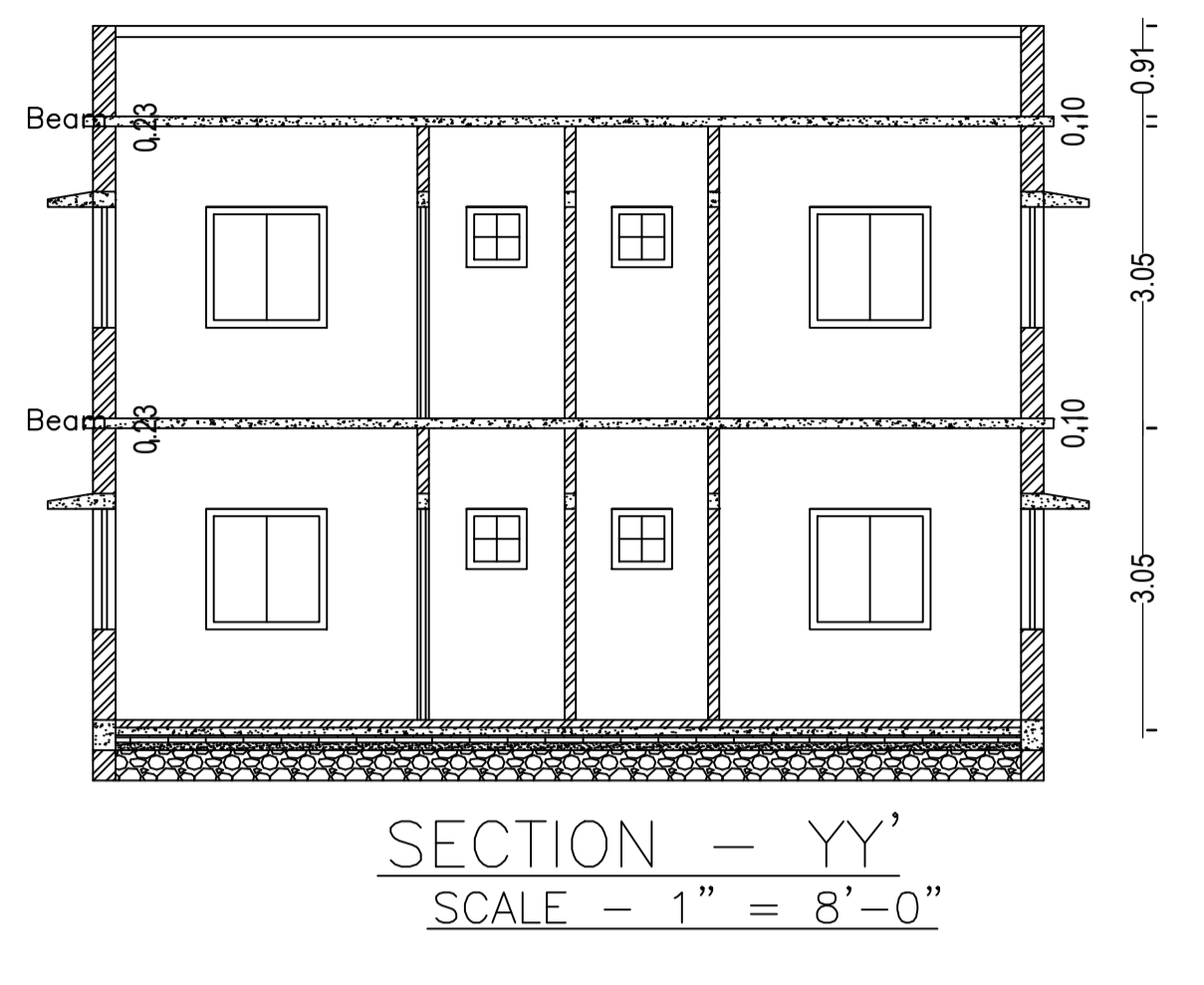
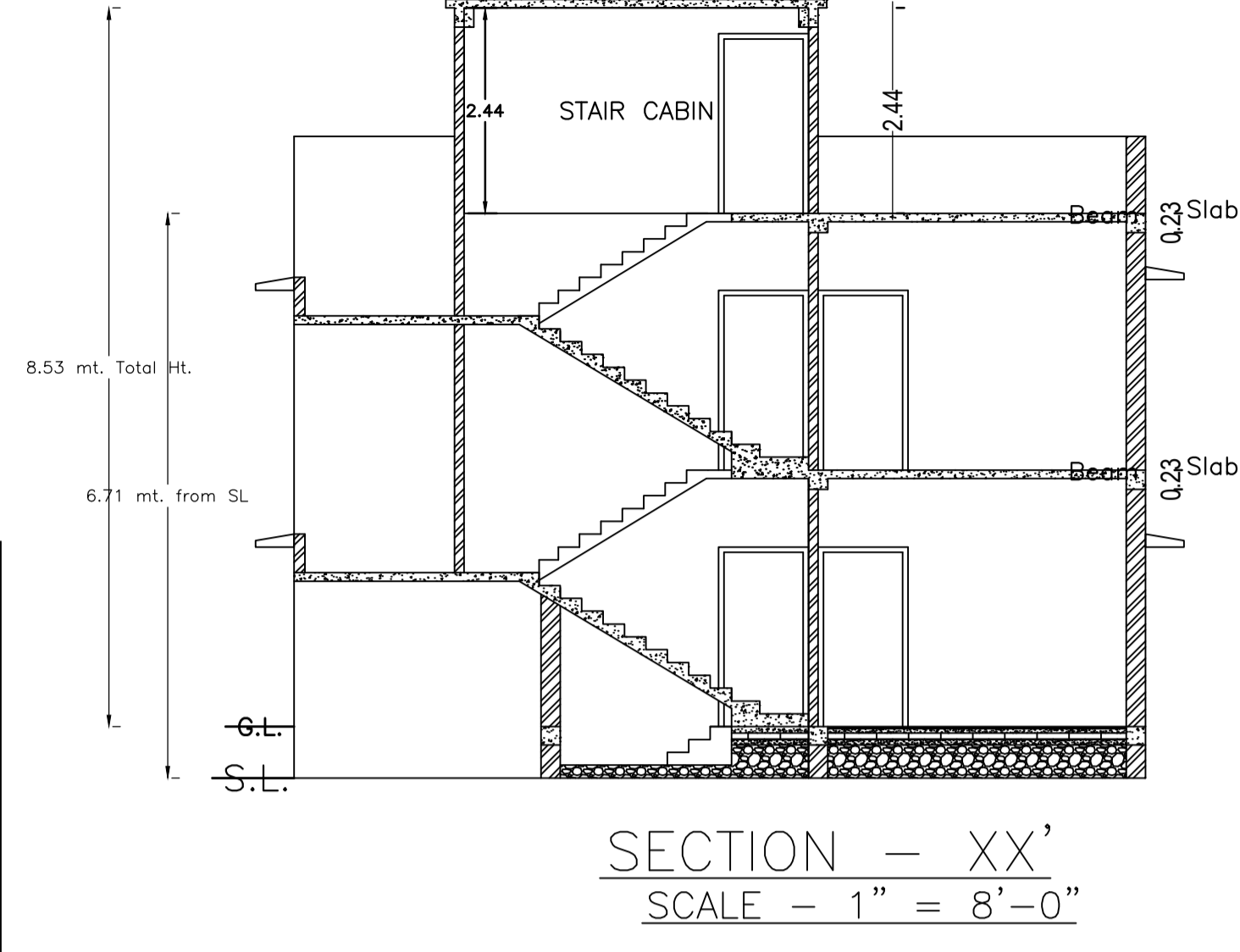
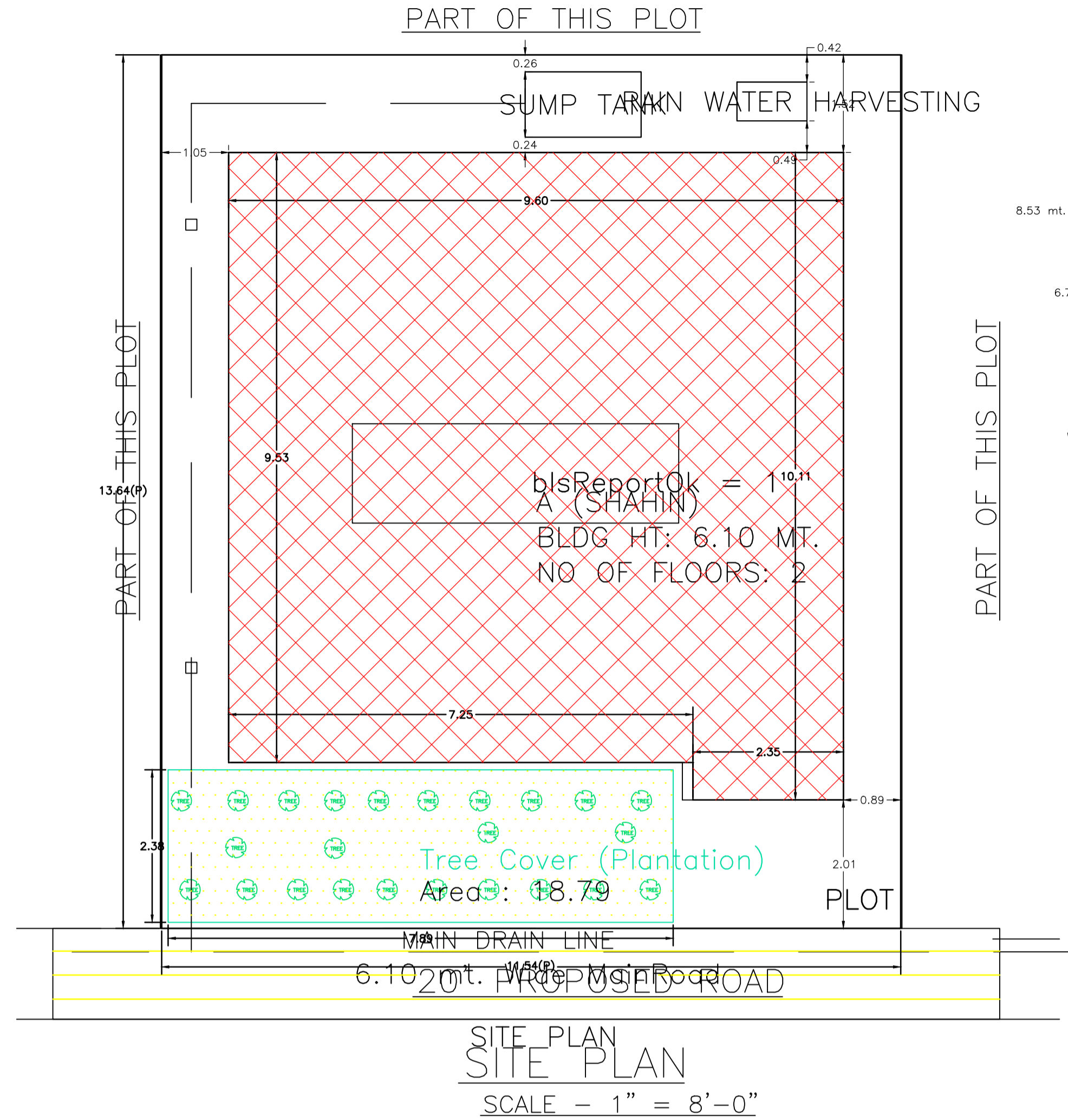


Proposal Basic Information	
Proposal File No.	MADA/BP/0061/2024
Owner Name	SHAHIN ZEYA
Khata No	OLD KHATA NO-49, NEW KHATA NO-94
Plot No	OLD PLOT NO-1303, NEW PLOT NO-1154
Village Name	Kurmidih
Use	Residential
SubUse	Bungalow/ Dwelling / Non Apartment



AREA STATEMENT MINERAL		
AREA DEVELOPMENT AUTHORITY	VERSION NO.: 1.0.69	
PROJECT DETAIL:	VERSION DATE: 16/10/2020	
Region: JHARKHAND URBAN LOCAL BODIES	Plot Use: Residential	
District: DHANBAD	Plot SubUse: Bungalow/ Dwelling / Non Apartment	
Authority: MINERAL AREA DEVELOPMENT AUTHORITY	PlotNearby/Religious/Structure: NA	
Inward No: MADA/BP/0061/2024	Plot/SubPlot No: OLD PLOT NO-1303, NEW PLOT NO-1154	
Application Type: General Proposal	North: Plot No. - SAME PLOT	
Project Type: Building Permission	South: Plot No. - SAME PLOT	
Nature of Development: New	East: Plot No. - SAME PLOT	
Location of Development Area: Old Area	West: Road Width - 6.10	
<b>AREA DETAILS:</b>		
AREA OF PLOT (Minimum)	(A)	157.44
NET AREA OF PLOT(Gross Plot Area - Deduction from Gross Plot area)	(A-Deductions)	157.44
Deduction for Balance Plot Area(from Gross Plot Area)		
Common Plot		18.79
Total		18.79
BALANCE AREA OF PLOT(Net Plot Area - Recreational/Amenity space)	(A-Deductions)	138.65
PLOT AREA FOR COVERAGE(Net Plot Area)	(A-Deductions)	157.44
Plot Area for FAR (Net Plot Area + RoadWidening Area)	(A-Deductions)	157.44
<b>COVERAGE CHECK</b>		
Permissible Coverage area ( 70.00 % )		110.21
Proposed Coverage Area ( 58.96 % )		92.82
Total Prop. Coverage Area ( 58.96 % )		92.82
Balance coverage area ( 11.05 % )		17.39
<b>FAR CHECK</b>		
Perm. FAR Area ( 2.500 )		393.60
Total Perm. FAR area		393.60
Residential FAR		185.65
Proposed FAR Area		185.65
Total Proposed FAR Area		185.65
Consumed FAR (Factor)		1.18
Balance FAR Area		207.95
<b>BUILT UP AREA CHECK</b>		
Total Proposed BuiltUp Area		185.64
ARCHITECT (Regd)		RAM PRATAP SINGH
ENGINEER (Regd)		
SUPERVISOR (Regd)		
OWNER (Regd)		SHAHIN ZEYA
<b>DEVELOPMENT AUTHORITY</b>		
		LOCAL BODY

COLOR INDEX	
PLOT BOUNDARY	Black
ABUTTING ROAD	Red
PROPOSED CONSTRUCTION	Green
COMMON PLOT	Yellow
ROAD WIDENING AREA	Blue
EXISTING (To be retained)	Orange
EXISTING (To be demolished)	Purple

UnitBUA Table for Building :A (SHAHIN)

FLOOR	Name	UnitBUA Type	UnitBUA Area	Carpet Area	No. of Rooms	No. of Tenement
GROUND FLOOR PLAN	SPLIT A	FLAT	185.65	185.50	8	1
FIRST FLOOR PLAN	SPLIT A	FLAT	0.00	0.00	8	0
Total:	-	-	185.65	185.50	16	1

SCHEDULE OF DOOR:

BUILDING NAME	NAME	LENGTH	HEIGHT	NOS
A (SHAHIN)	D	0.84	2.10	04
A (SHAHIN)	D	0.91	2.10	04
A (SHAHIN)	D	1.07	2.10	08
A (SHAHIN)	D	1.23	2.10	01

SCHEDULE OF WINDOW/VENTILATION:

BUILDING NAME	NAME	LENGTH	HEIGHT	NOS
A (SHAHIN)	V	0.61	1.20	04
A (SHAHIN)	W	0.91	1.20	04
A (SHAHIN)	W	1.23	1.20	12
A (SHAHIN)	W	2.02	1.20	02

Building :A (SHAHIN)

Floor Name	Total Built Up Area (Sq.mt.)	Proposed FAR Area (Sq.mt.) Resi.	Total FAR Area (Sq.mt.)	Total Consumed Additional FAR Area (Sq.mt.)	Tnmt (No.)
Ground Floor	92.82	92.82	92.82	92.82	01
First Floor	92.82	92.82	92.82	92.82	00
Terrace Floor	0.00	0.00	0.00	0.00	00
Total :	185.64	185.64	185.64	185.64	01
Total Number of Same Buildings	1				
Total :	185.64	185.64	185.64	185.64	01

Buildingwise Floor FAR Details

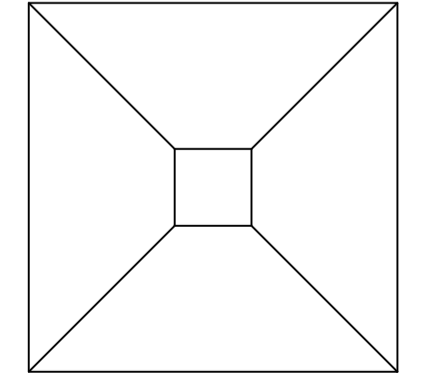
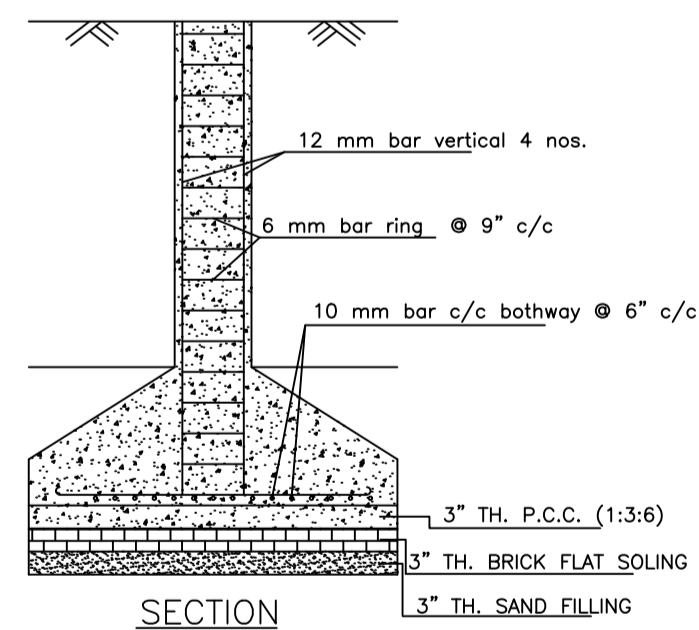
Floor Name	Building Name A (SHAHIN)		Total	
	Proposed Built Up Area (Sq.mt.)	Proposed FAR Area (Sq.mt.)	Total Proposed Built Up Area (Sq.mt.)	Total FAR Area (Sq.mt.)
Ground Floor	92.82	92.82	92.82	92.82
First Floor	92.82	92.82	92.82	92.82
Terrace Floor	0.00	0.00	0.00	0.00
Total :	185.64	185.64	185.64	185.64

Building USE/SUBUSE Details

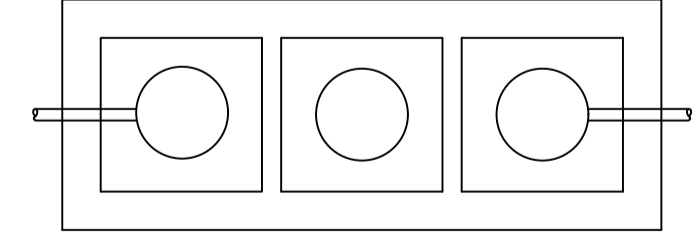
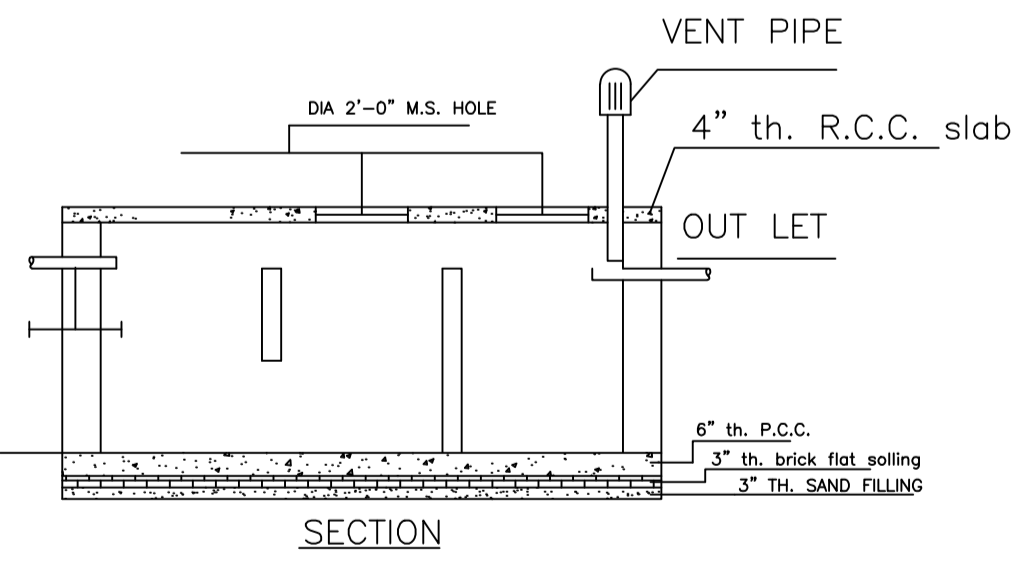
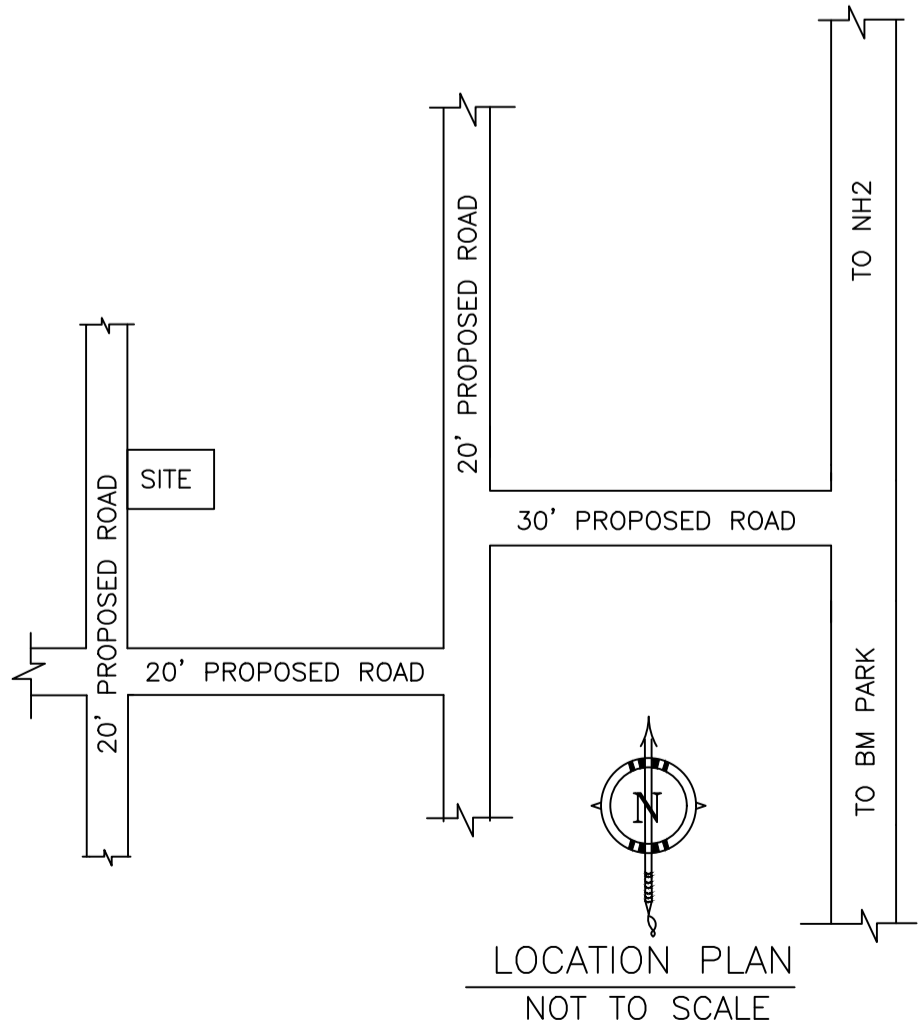
Building Name	Building Use	Building SubUse	Building Structure
A (SHAHIN)	Residential	Bungalow/ Dwelling / Non Apartment	Non-Highrise

FAR & Tenement Details (Table 4c-1)

Building	No. of Same Bldg	Total Built Up Area (Sq.mt.)	Proposed FAR Area (Sq.mt.) Resi.	Total FAR Area (Sq.mt.)	Total Consumed Additional FAR Area (Sq.mt.)	Tnmt (No.)
A (SHAHIN)	1	185.64	185.64	185.64	185.64	01
Grand Total :	1	185.64	185.64	185.64	185.64	01



DETAILS OF COLUMN FOUNDATION  
SCALE - 1" = 2'-0"

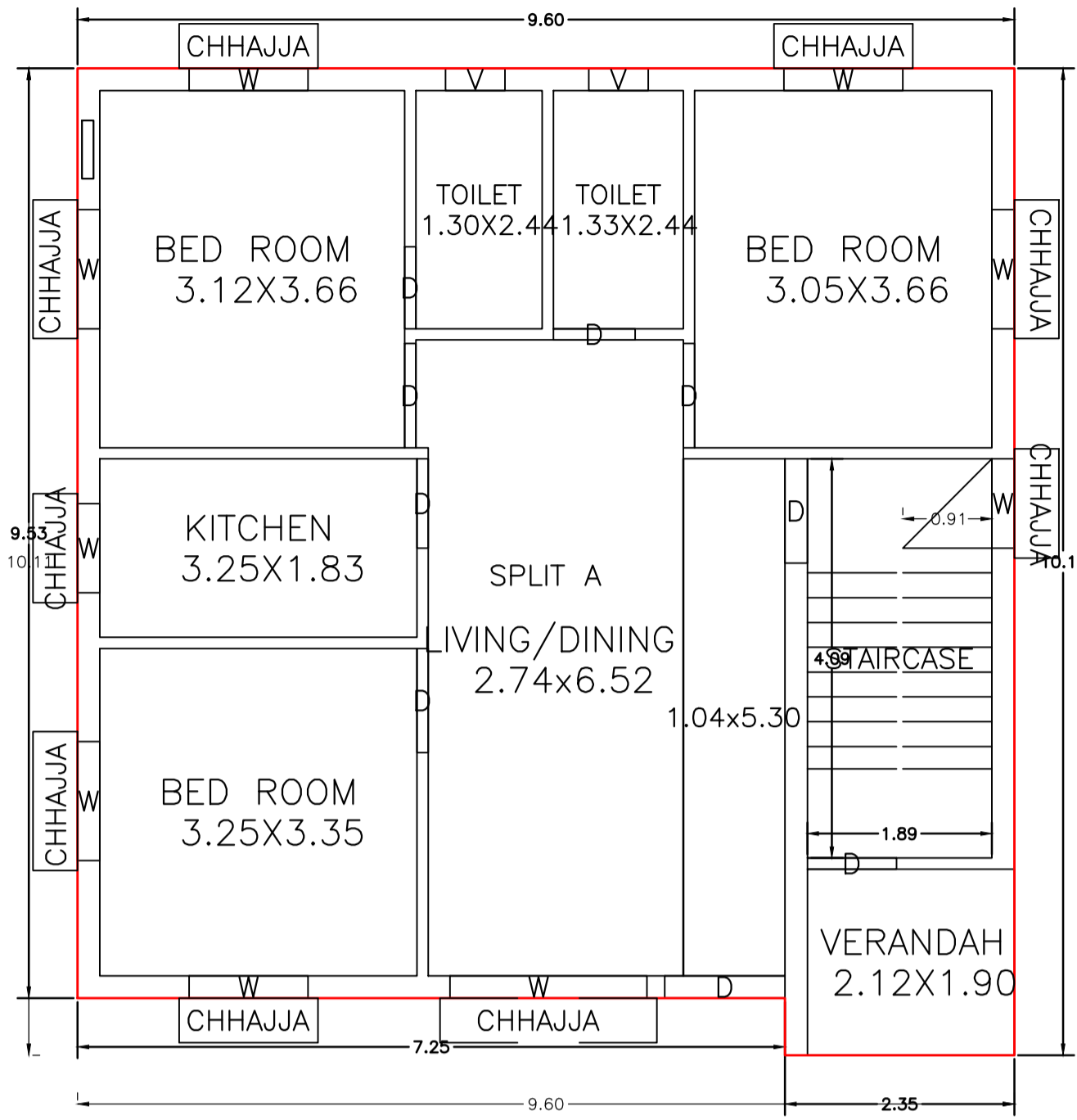


DETAILS OF SEPTIC TANK  
SCALE - 1" = 4'-0"

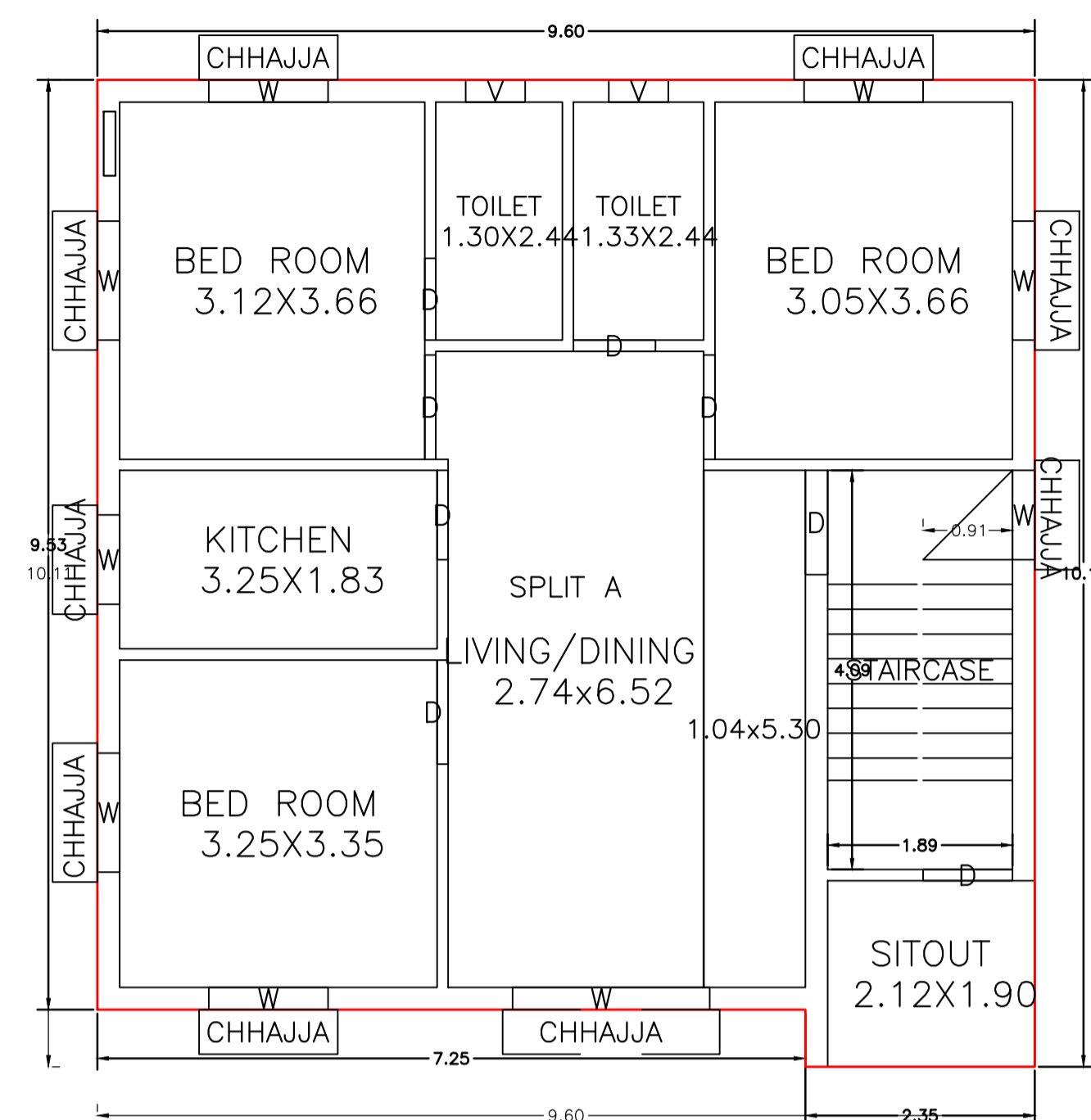
ROOF TOP RAIN WATER COLLECTION SYSTEM

LTP NAME AND SIGNATURE	STRUCTURAL ENG'S NAME AND SIGNATURE	BUILDER NAME AND SIGNATURE	DIGITAL SIGNATURE
RAM PRATAP SINGH MADA/ARC/0024/2019			

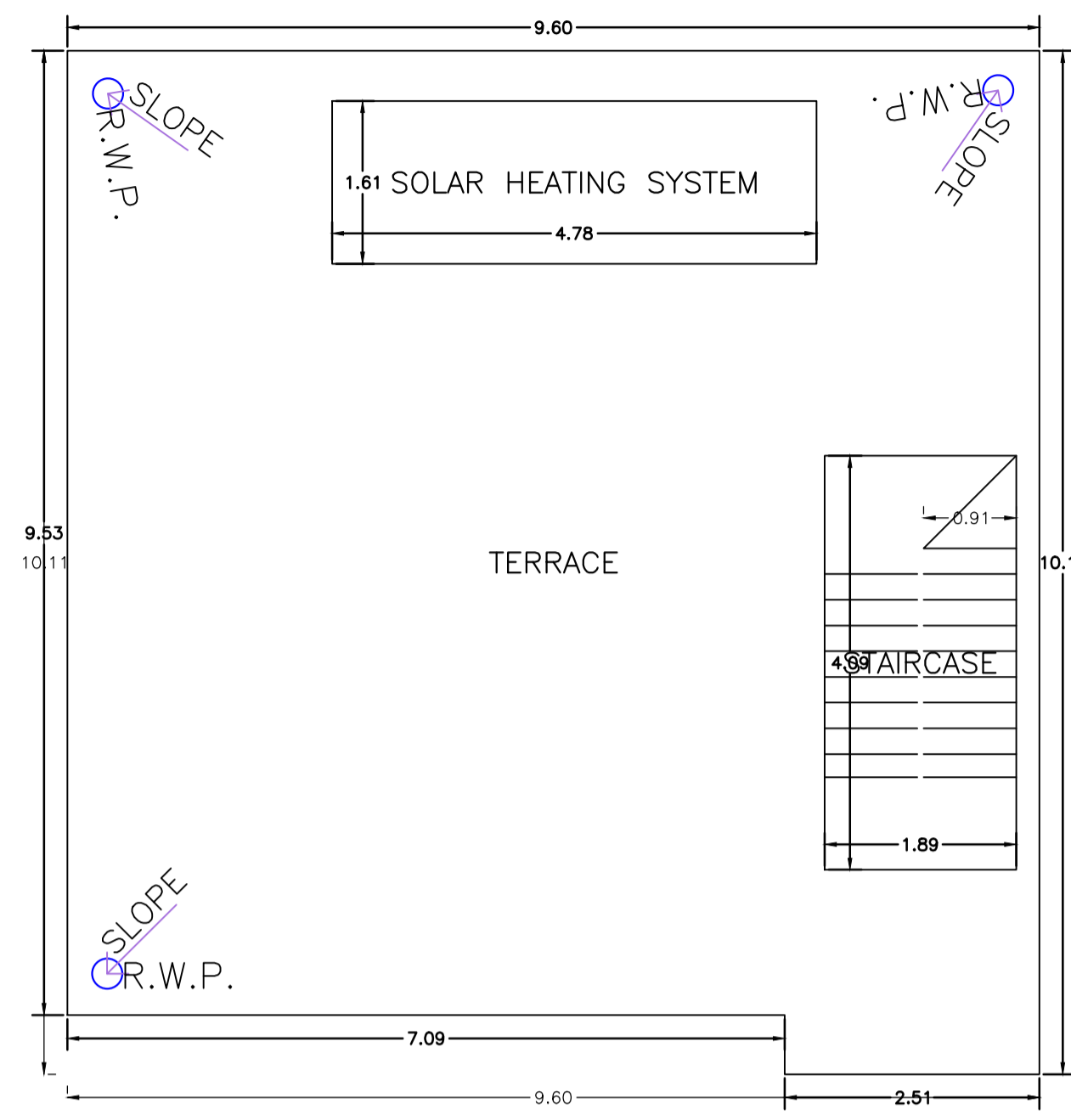
Proposal Basic Information	
Proposal File No.	MADA/BP/0061/2024
Owner Name	SHAHIN ZEYA
Khata No	OLD KHATA NO-49, NEW KHATA NO-94
Plot No	OLD PLOT NO-1303, NEW PLOT NO-1154
Village Name	Kurmidih
Use	Residential
SubUse	Bungalow/ Dwelling / Non Apartment



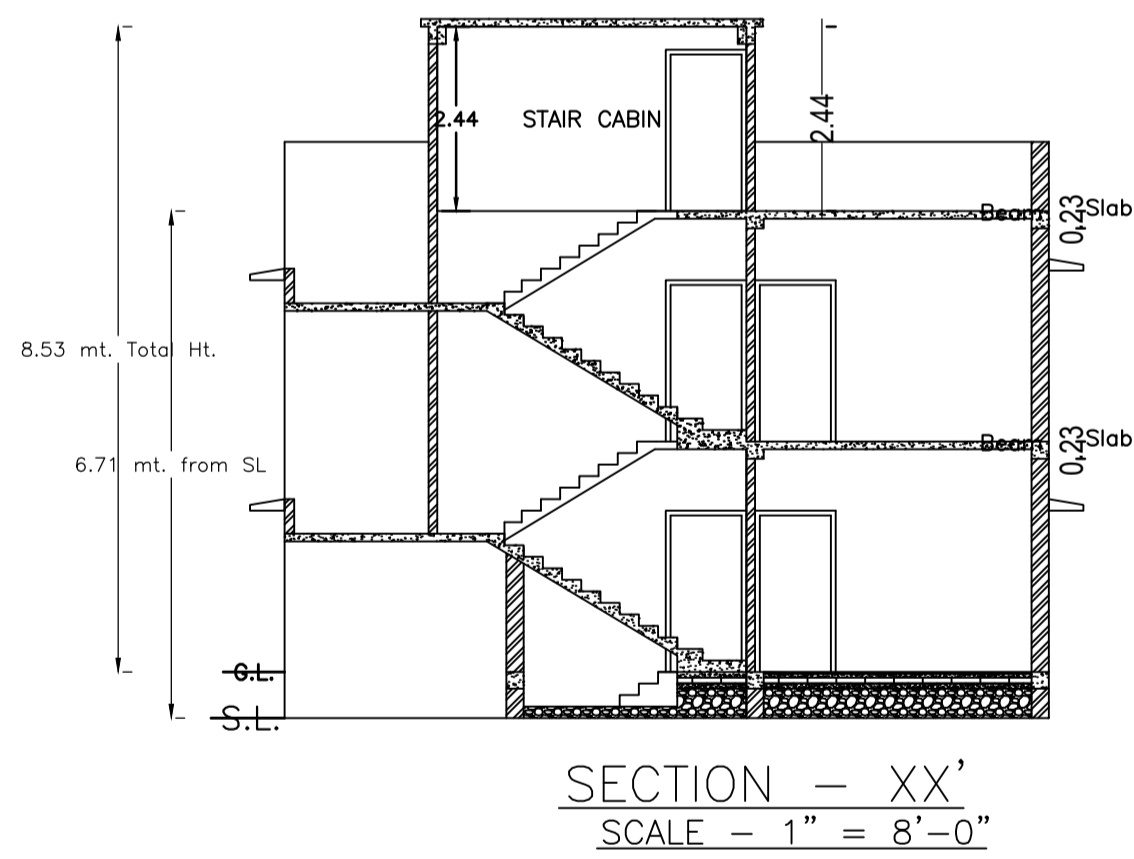
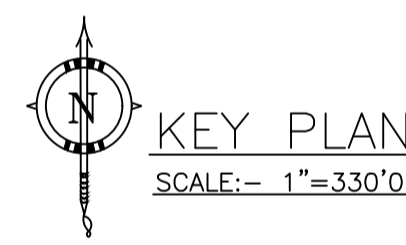
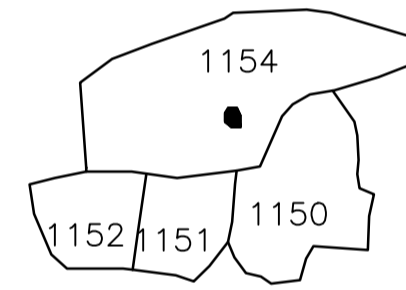
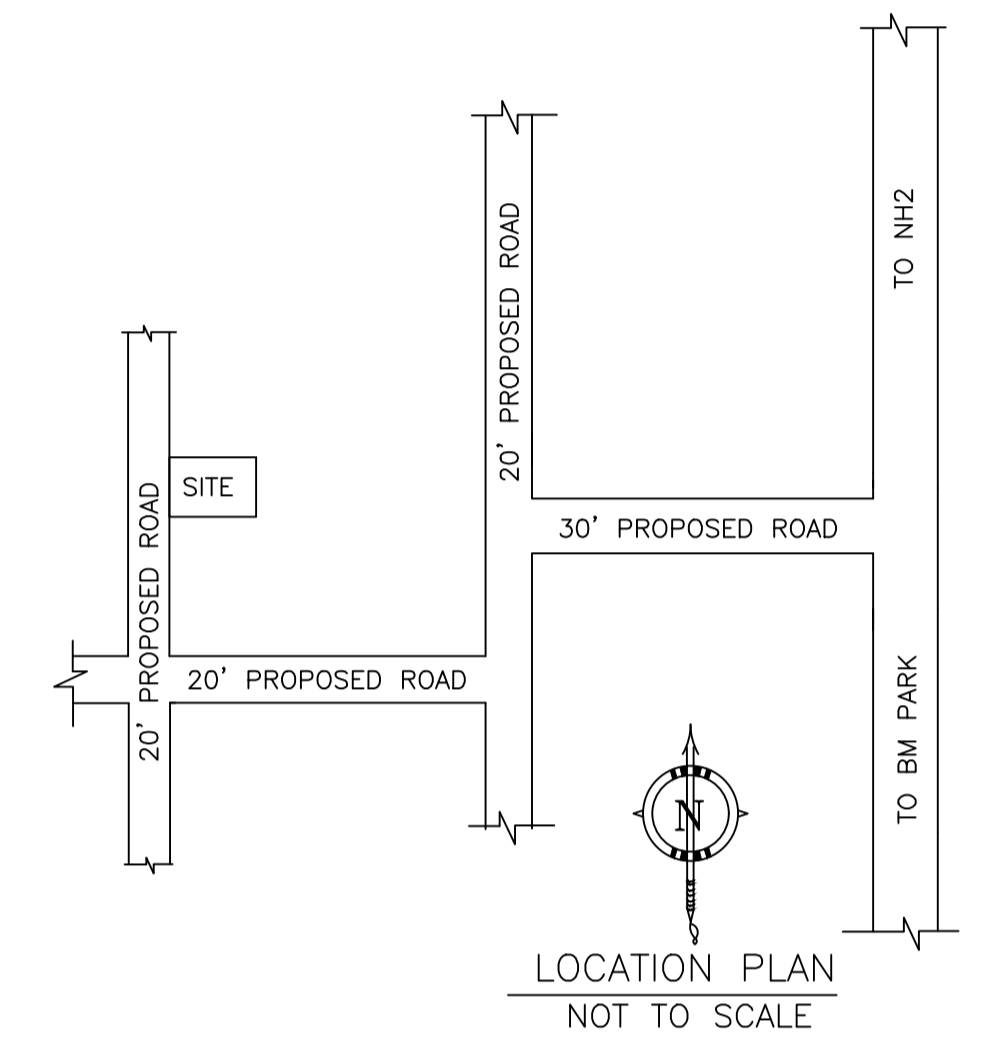
GROUND FLOOR PLAN  
(Proposed)  
(SCALE 1:100)



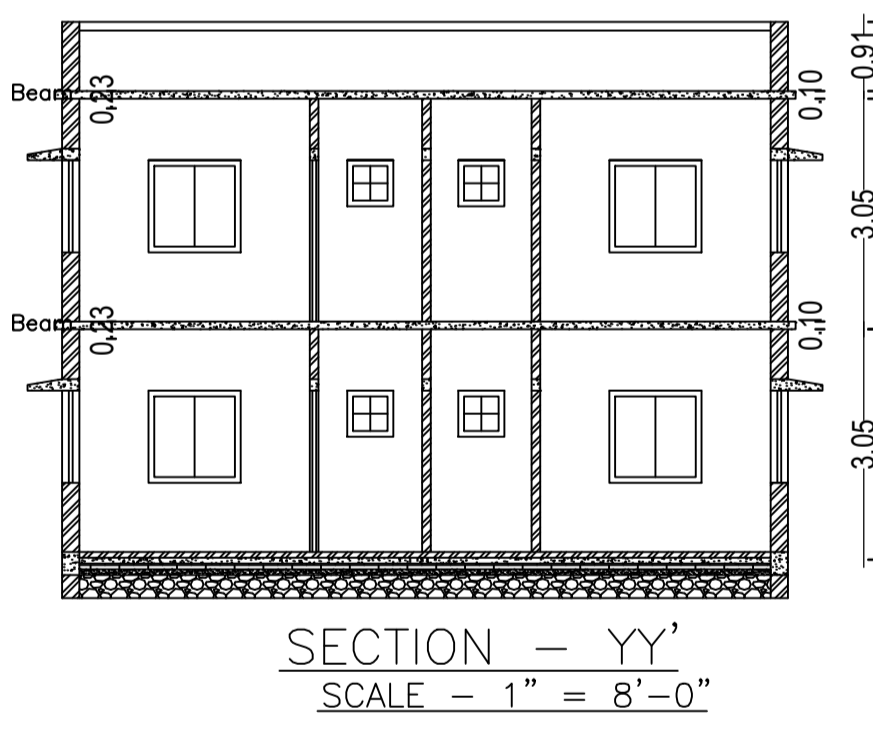
FIRST FLOOR PLAN  
(Proposed)  
(SCALE 1:100)



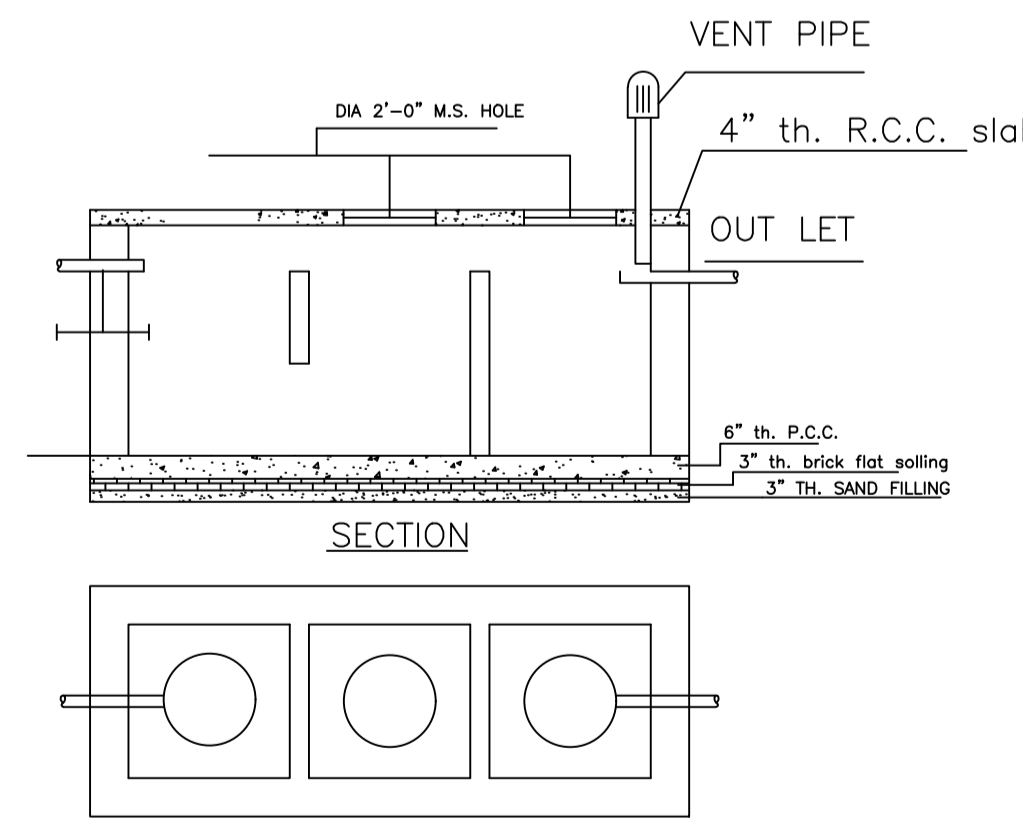
TERRACE FLOOR PLAN  
(SCALE 1:100)



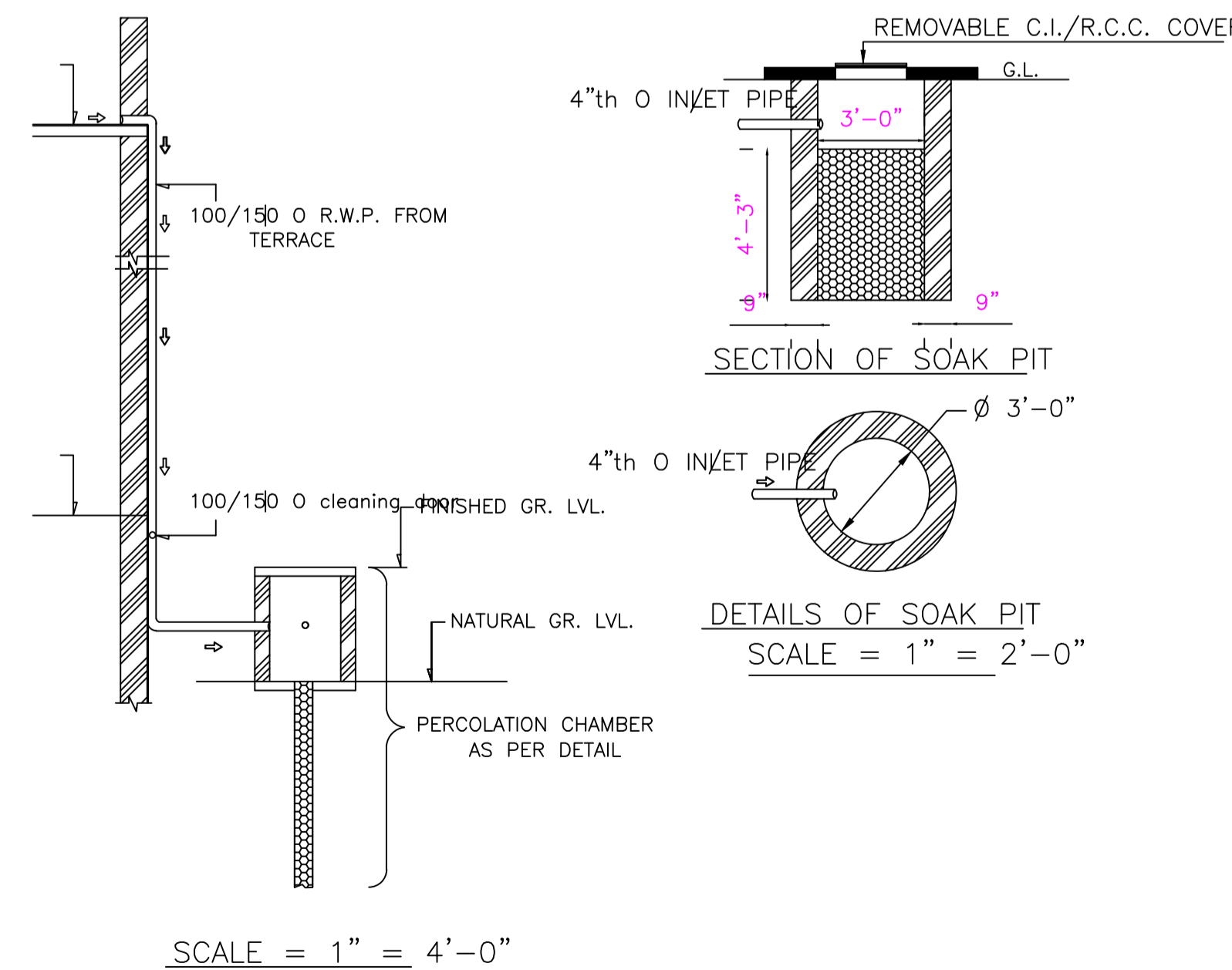
SECTION - XX'  
SCALE - 1" = 8'-0"



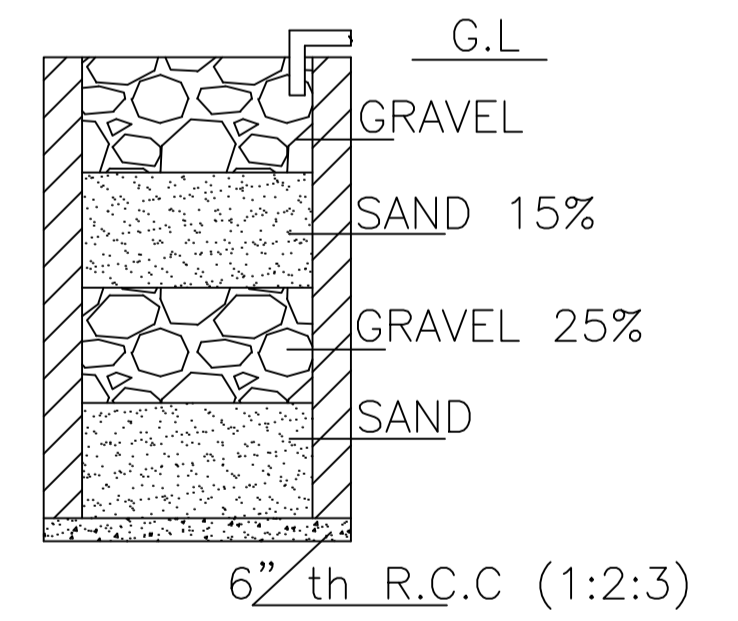
SECTION - YY'  
SCALE - 1" = 8'-0"



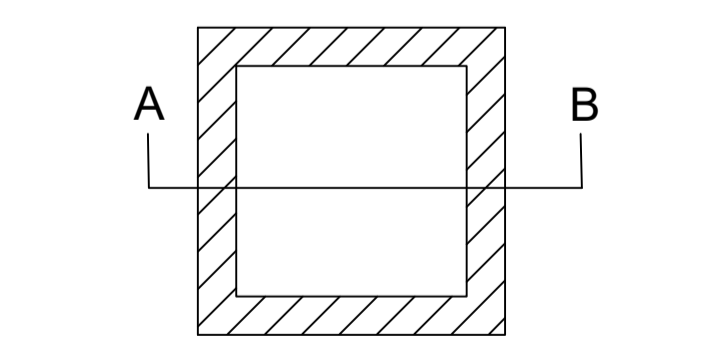
DETAILS OF SEPTIC TANK  
SCALE - 1" = 4'-0"



DETAILS OF SOAK PIT  
SCALE = 1" = 2'-0"

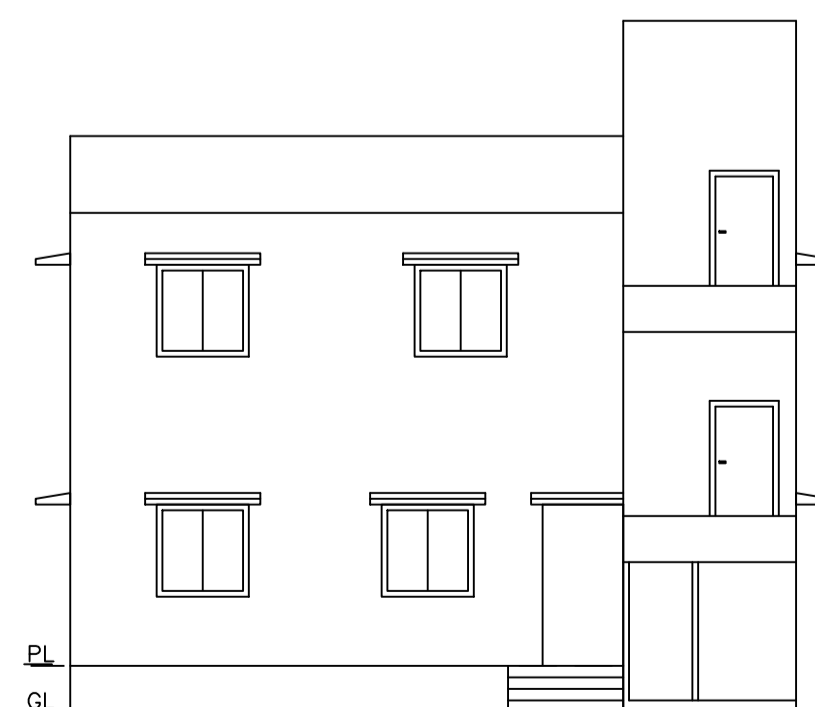


SECTION ON A - B

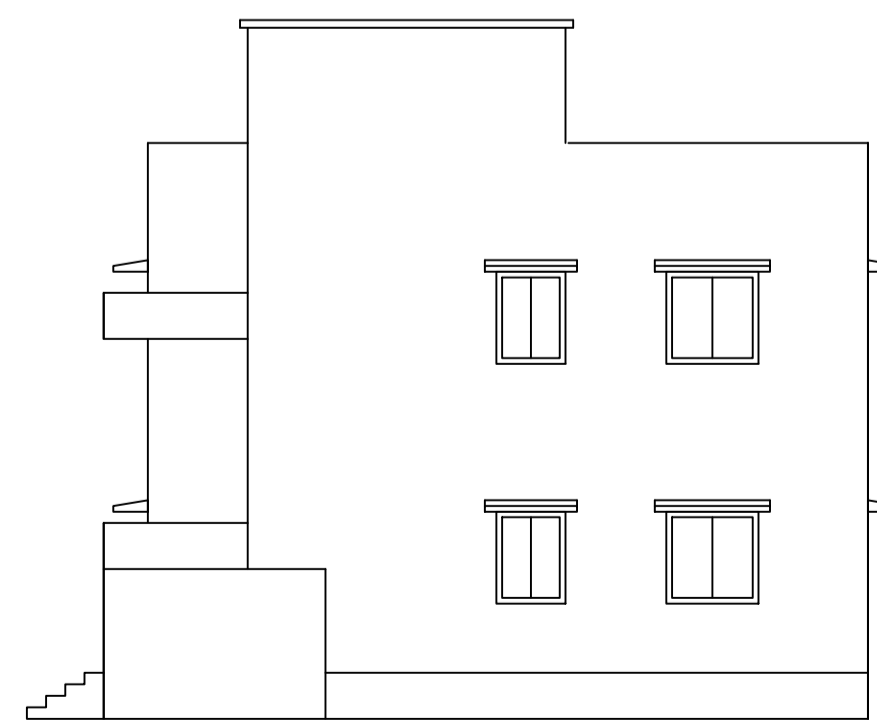


DETAILS DRAWING OF  
RAIN WATER HARVESTING

SCALE:- 1"=2'-0"



FRONT ELEVATION  
SCALE - 1" = 8'-0"



RIGHT SIDE ELEVATION  
SCALE - 1" = 8'-0"

LTP NAME AND SIGNATURE	STRUCTURAL ENG'S NAME AND SIGNATURE	BUILDER NAME AND SIGNATURE	DIGITAL SIGNATURE
RAM PRATAP SINGH MADA/ARC/0024/2019			