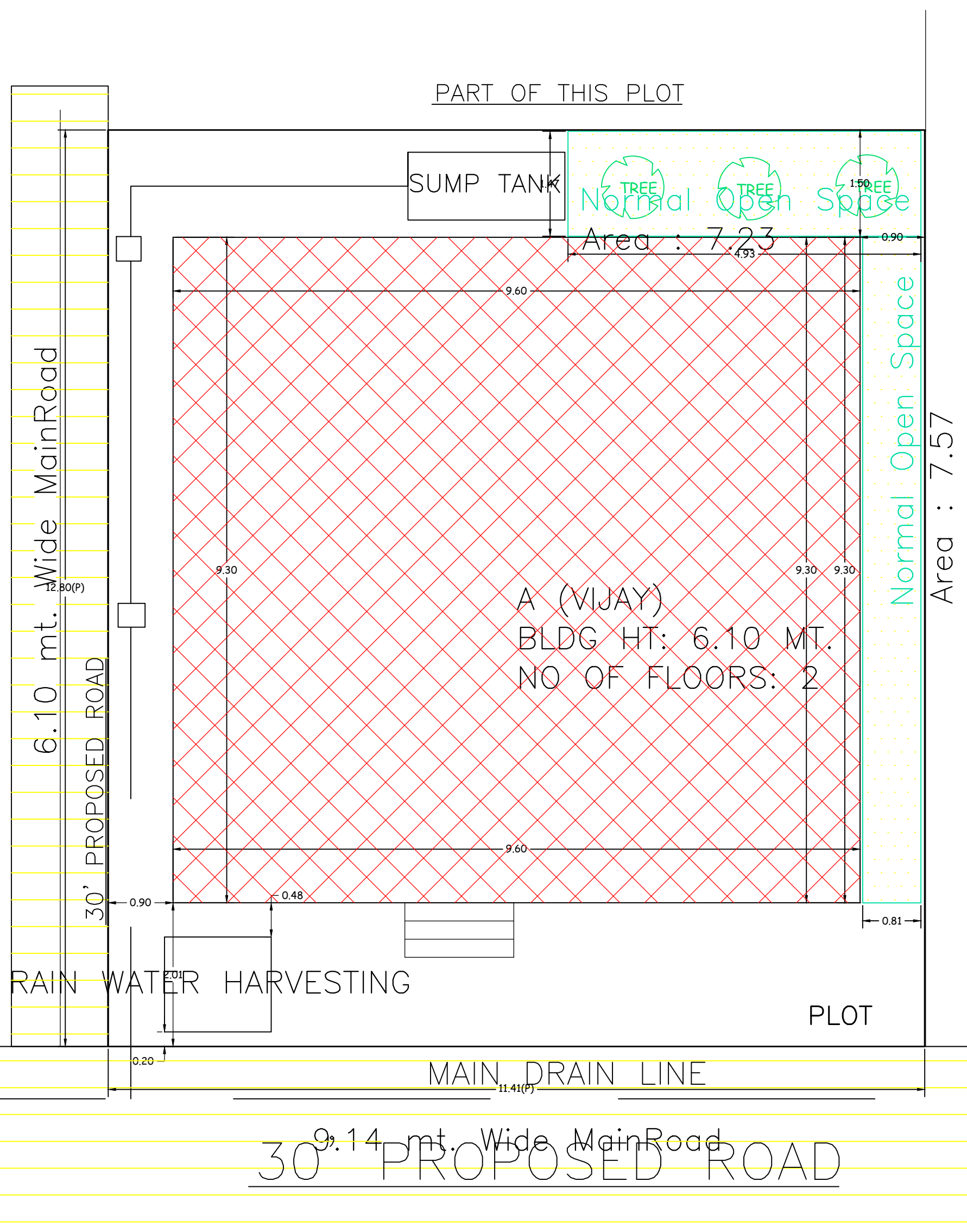
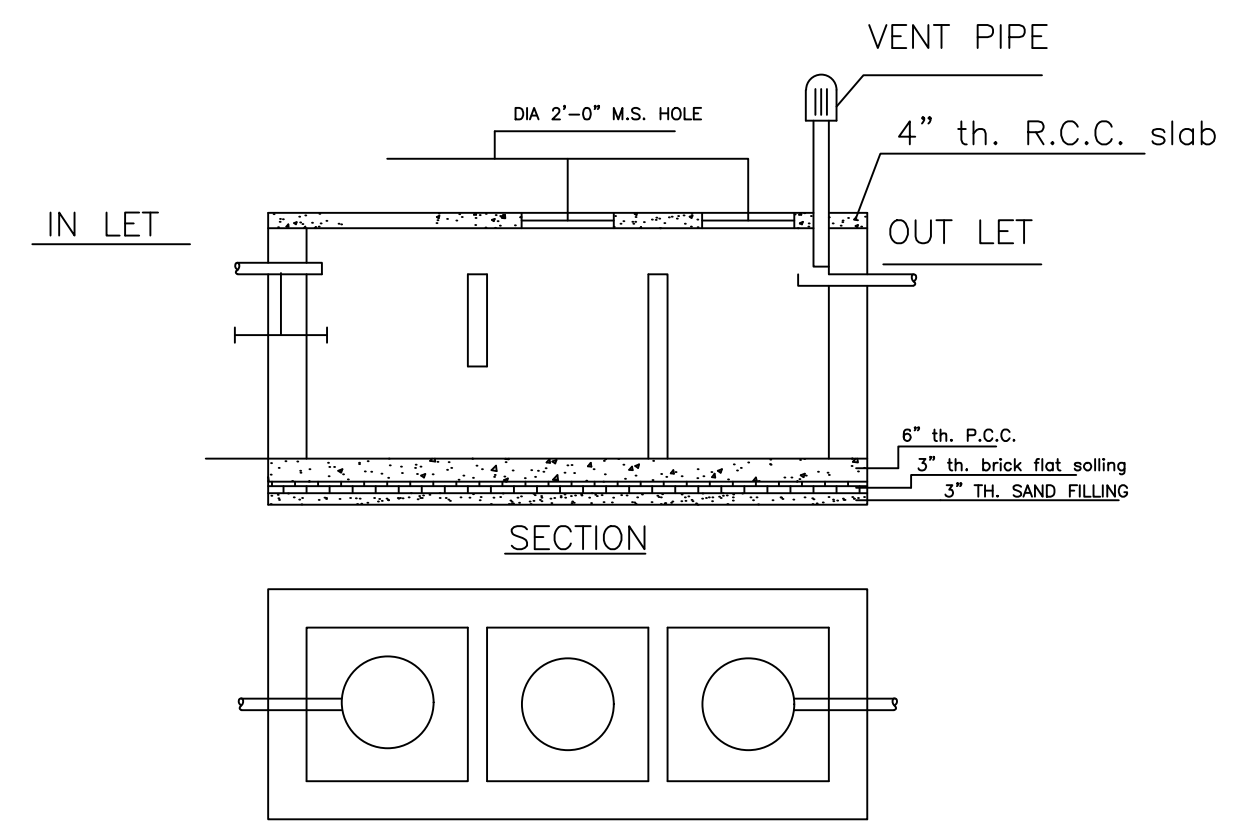


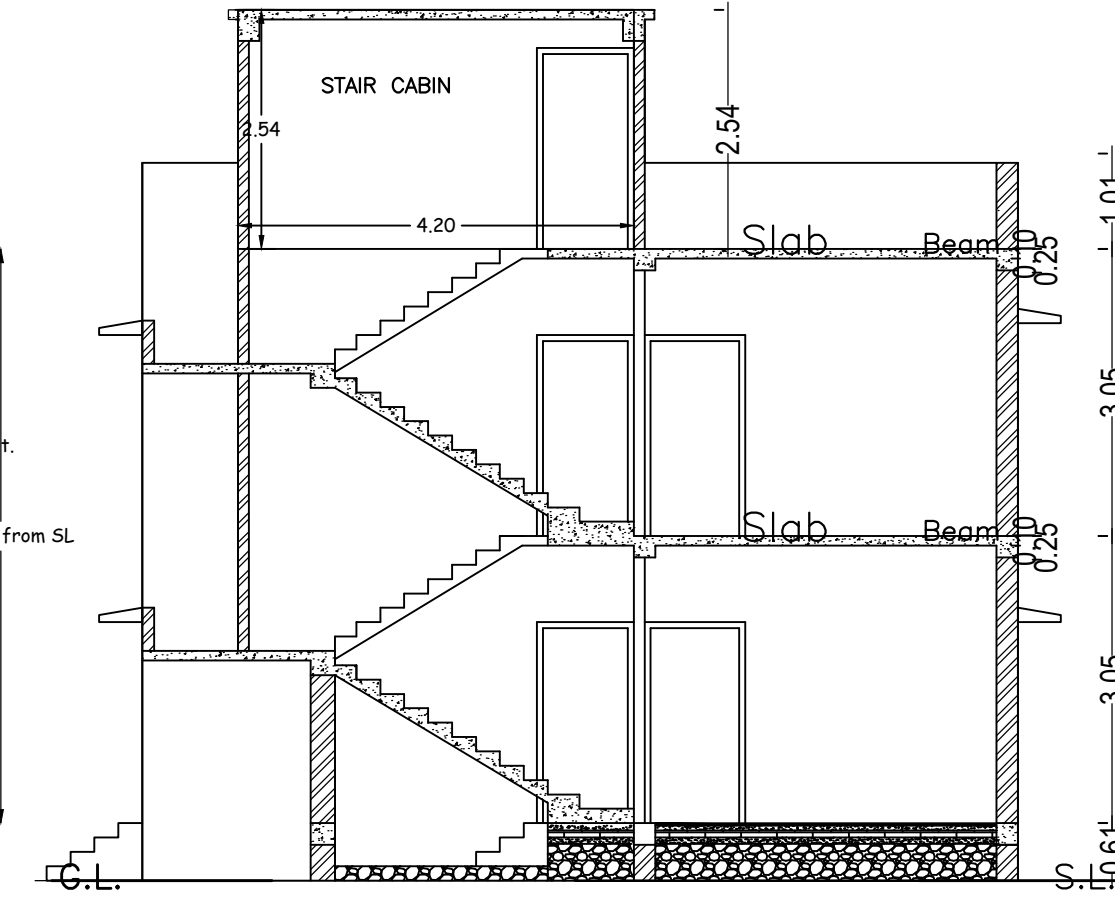
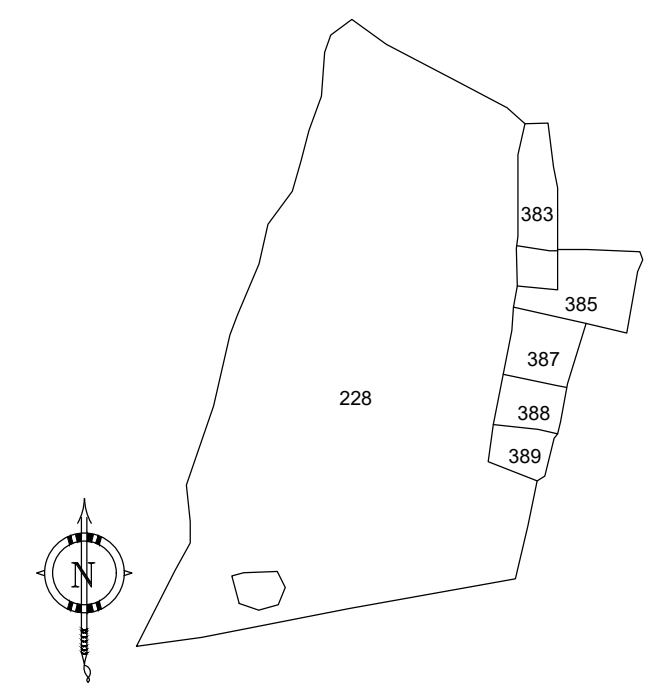
Proposal Basic Information	
Proposal File No.	MADA/BP/0023/2024
Owner Name	SRI. VIJAY KUMAR SRIVASTAVA
Khata No	OLD KHATA NO-36, NEW KHATA NO-52
Plot No	OLD PLOT NO-288, NEW PLOT NO-228
Village Name	Gayadhara
Use	Residential
SubUse	Bungalow/ Dwelling / Non Apartment



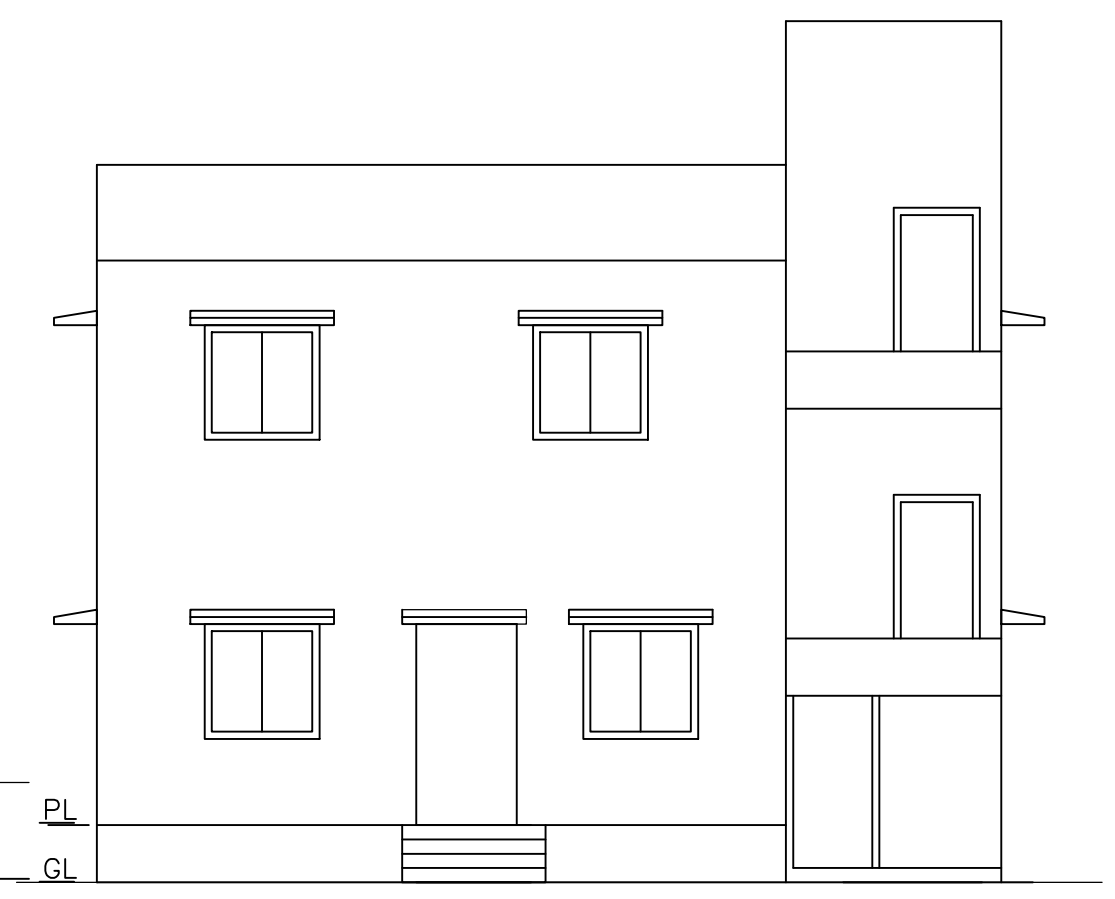
SITE PLAN
SCALE - 1" = 16'-0" SITE PLAN



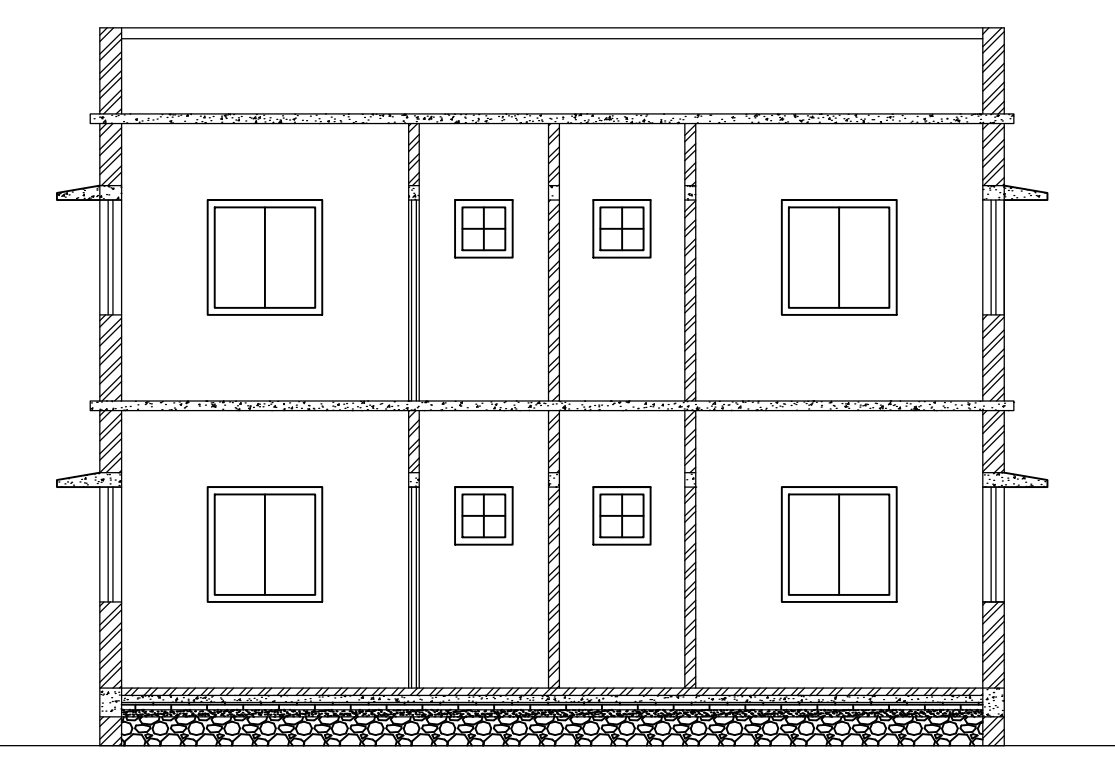
DETAILS OF SEPTIC TANK
SCALE - 1" = 4'-0"



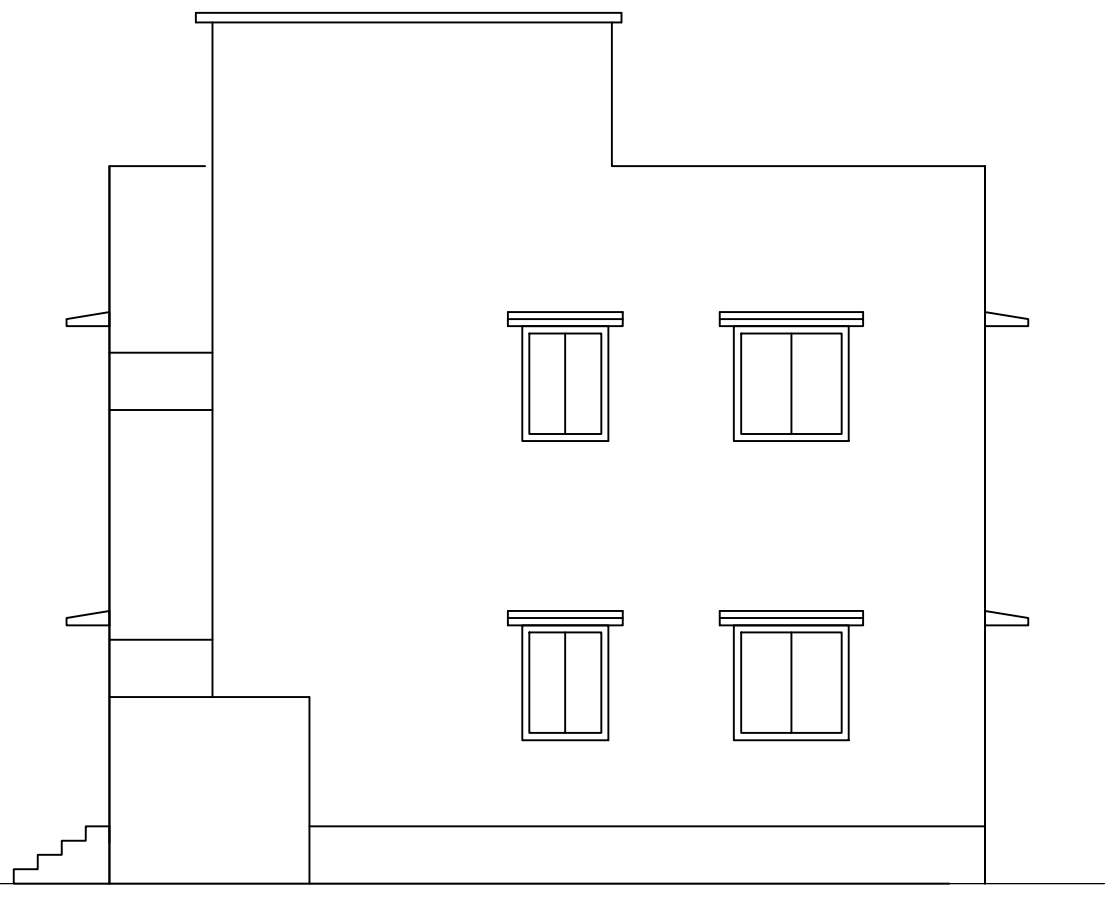
SECTION - XX'
SCALE - 1" = 8'-0"



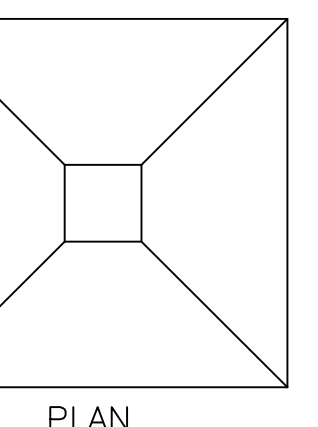
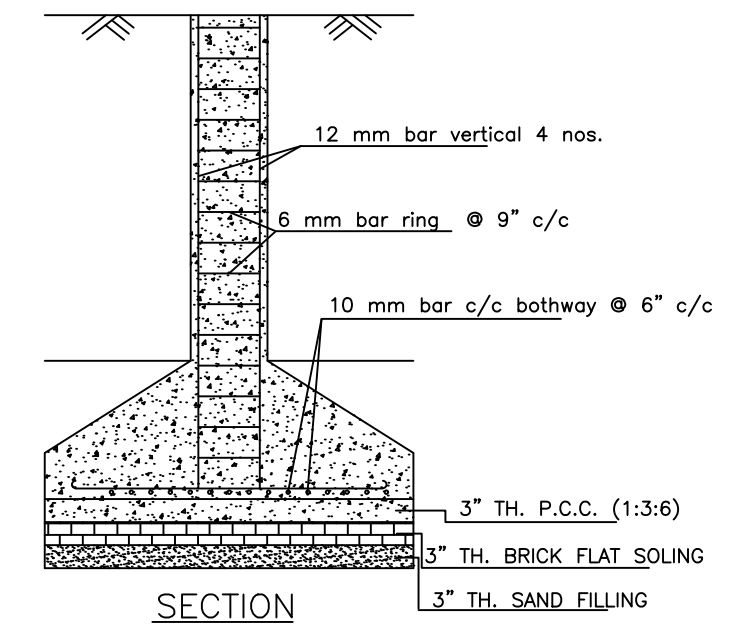
FRONT ELEVATION
SCALE - 1" = 8'-0"



SECTION - YY'
SCALE - 1" = 8'-0"



RIGHT SIDE ELEVATION
SCALE - 1" = 8'-0"



DETAILS OF COLUMN FOUNDATION
SCALE - 1" = 2'-0"

AREA STATEMENT MINERAL AREA DEVELOPMENT AUTHORITY		VERSION NO.: 1.0.70
PROJECT DETAIL:		VERSION DATE: 16/10/2020
Region: JHARKHAND URBAN	Plot Use: Residential	
LOCAL BODIES	Plot SubUse: Bungalow/ Dwelling / Non Apartment	
District: DHANBAD	PlotNearby/ReligiousStructure: NA	
Authority: MINERAL AREA DEVELOPMENT AUTHORITY	Plot/Plot No: OLD PLOT NO-288, NEW PLOT NO-228	
Inward No: MADA/BP/0023/2024	North: Road Width - 9.14	
Application Type: General Proposal	South: Plot No. - SAME PLOT	
Project Type: Building Permission	East: Plot No. - SAME PLOT	
Nature of Development: New	West: Road Width - 6.10	
Location of Development Area: Old Area		
AREA DETAILS:		
AREA OF PLOT (Minimum)	(A)	146.07 SQ.MT.
NET AREA OF PLOT (Gross Plot Area - Deduction from Gross Plot area)	(A-Deductions)	146.07
Deduction for Balance Plot Area (from Gross Plot Area)		
Common Plot		14.80
Total		14.80
BALANCE AREA OF PLOT (Net Plot Area - Recreational/Amenity space)	(A-Deductions)	131.27
PLOT AREA FOR COVERAGE (Net Plot Area)	(A-Deductions)	146.07
Plot Area for FAR (Net Plot Area + Road Widening Area)	(A-Deductions)	146.07
COVERAGE CHECK		
Permissible Coverage area (70.00 %)		102.25
Proposed Coverage Area (61.11 %)		89.26
Total Prop. Coverage Area (61.11 %)		89.26
Balance coverage area (8.89 %)		12.99
FAR CHECK		
Perm. FAR Area (2.500)		365.18
Total Perm. FAR area		365.18
Residential FAR		178.51
Proposed FAR Area		178.51
Total Proposed FAR Area		178.51
Consumed FAR (Factor)		1.22
Balance FAR Area		186.67
BUILT UP AREA CHECK		
Total Proposed BuiltUp Area		178.52
ARCHITECT (Regd)		
ENGINEER (Regd)		RAM PRATAP SINGH
SUPERVISOR (Regd)		
OWNER (Regd)		SRI. VIJAY KUMAR SRIVASTAVA
DEVELOPMENT AUTHORITY		LOCAL BODY

UnitBUA Table for Building :A (VIJAY)

FLOOR	Name	UnitBUA Type	UnitBUA Area	Carpet Area	No. of Rooms	No. of Tenement
GROUND FLOOR PLAN	SPLIT 1	FLAT	178.51	178.03	8	1
FIRST FLOOR PLAN	SPLIT 1	FLAT	0.00	0.00	8	0
Total:	-	-	178.51	178.03	16	1

SCHEDULE OF DOOR:

BUILDING NAME	NAME	LENGTH	HEIGHT	NOS
A (VIJAY)	D	0.84	2.10	05
A (VIJAY)	D	0.91	2.10	02
A (VIJAY)	D	1.07	2.10	09
A (VIJAY)	O	2.23	2.10	01

SCHEDULE OF WINDOW/VENTILATION:

BUILDING NAME	NAME	LENGTH	HEIGHT	NOS
A (VIJAY)	W	0.61	1.20	04
A (VIJAY)	W	0.91	1.20	04
A (VIJAY)	W	1.22	1.20	12
A (VIJAY)	W	1.92	1.20	02

Building :A (VIJAY)

Floor Name	Total Built Up Area (Sq.mt.)	Proposed FAR Area (Sq.mt.) Resi.	Total FAR Area (Sq.mt.)	Total Consumed Additional FAR Area (Sq.mt.)	Tnmt (No.)
Ground Floor	89.26	89.26	89.26	89.26	01
First Floor	89.26	89.26	89.26	89.26	00
Terrace Floor	0.00	0.00	0.00	0.00	00
Total:	178.52	178.52	178.52	178.52	01
Total Number of Same Buildings	1				
Total:	178.52	178.52	178.52	178.52	01

COLOR INDEX	
PLOT BOUNDARY	Black
ABUTTING ROAD	Green
PROPOSED CONSTRUCTION	Red
COMMON PLOT	Yellow
ROAD WIDENING AREA	Blue
EXISTING (To be retained)	Orange
EXISTING (To be demolished)	Light Blue

Buildingwise Floor FAR Details

Floor Name	Building Name A (VIJAY)		Total	
	Proposed Built Up Area (Sq.mt.)	Proposed FAR Area (Sq.mt.)	Total Proposed Built Up Area (Sq.mt.)	Total FAR Area (Sq.mt.)
Ground Floor	89.26	89.26	89.26	89.26
First Floor	89.26	89.26	89.26	89.26
Terrace Floor	0.00	0.00	0.00	0.00
Total:	178.52	178.52	178.52	178.52

Building USE/SUBUSE Details

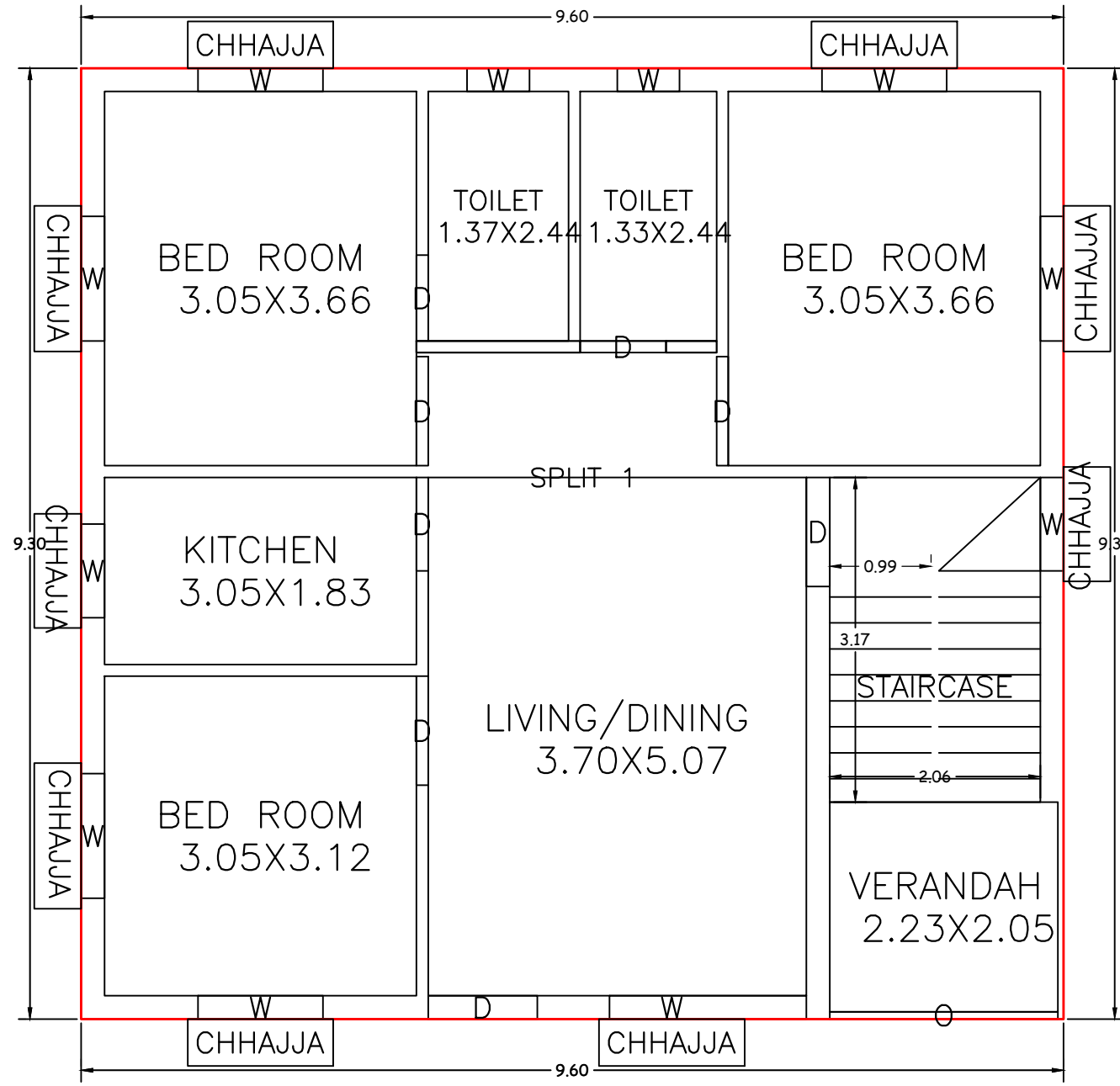
Building Name	Building Use	Building SubUse	Building Structure
A (VIJAY)	Residential	Bungalow/ Dwelling / Non Apartment	Non-Highrise

FAR & Tenement Details (Table 4c-1)

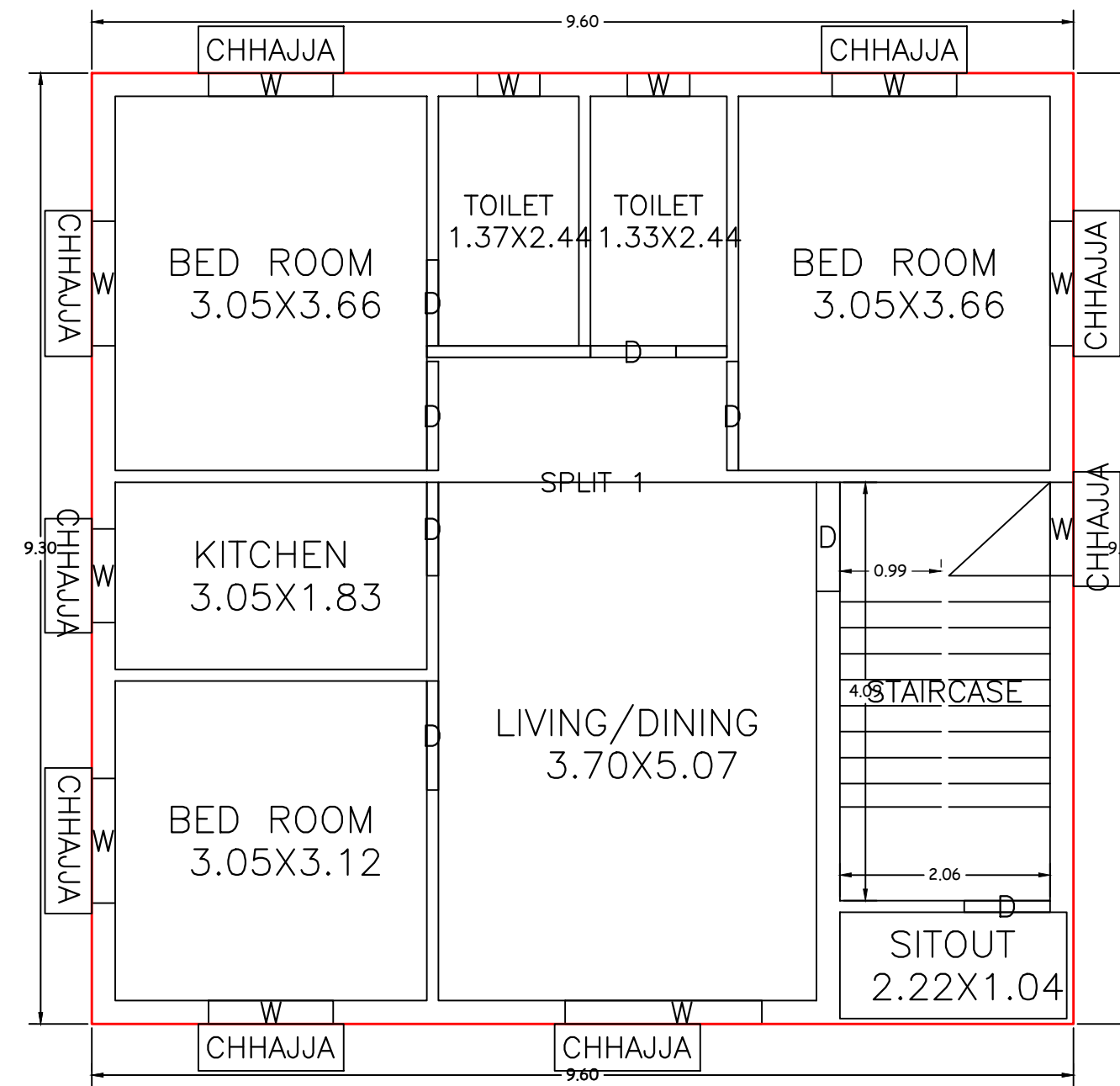
Building	No. of Same Bldg	Total Built Up Area (Sq.mt.)	Proposed FAR Area (Sq.mt.) Resi.	Total FAR Area (Sq.mt.)	Total Consumed Additional FAR Area (Sq.mt.)	Tnmt (No.)
A (VIJAY)	1	178.52	178.52	178.52	178.52	01
Grand Total:	1	178.52	178.52	178.52	178.52	01

LTP NAME AND SIGNATURE	STRUCTURAL ENG'S NAME AND SIGNATURE	BUILDER NAME AND SIGNATURE	DIGITAL SIGNATURE
RAM PRATAP SINGH MADA/ARC/0024/2019			

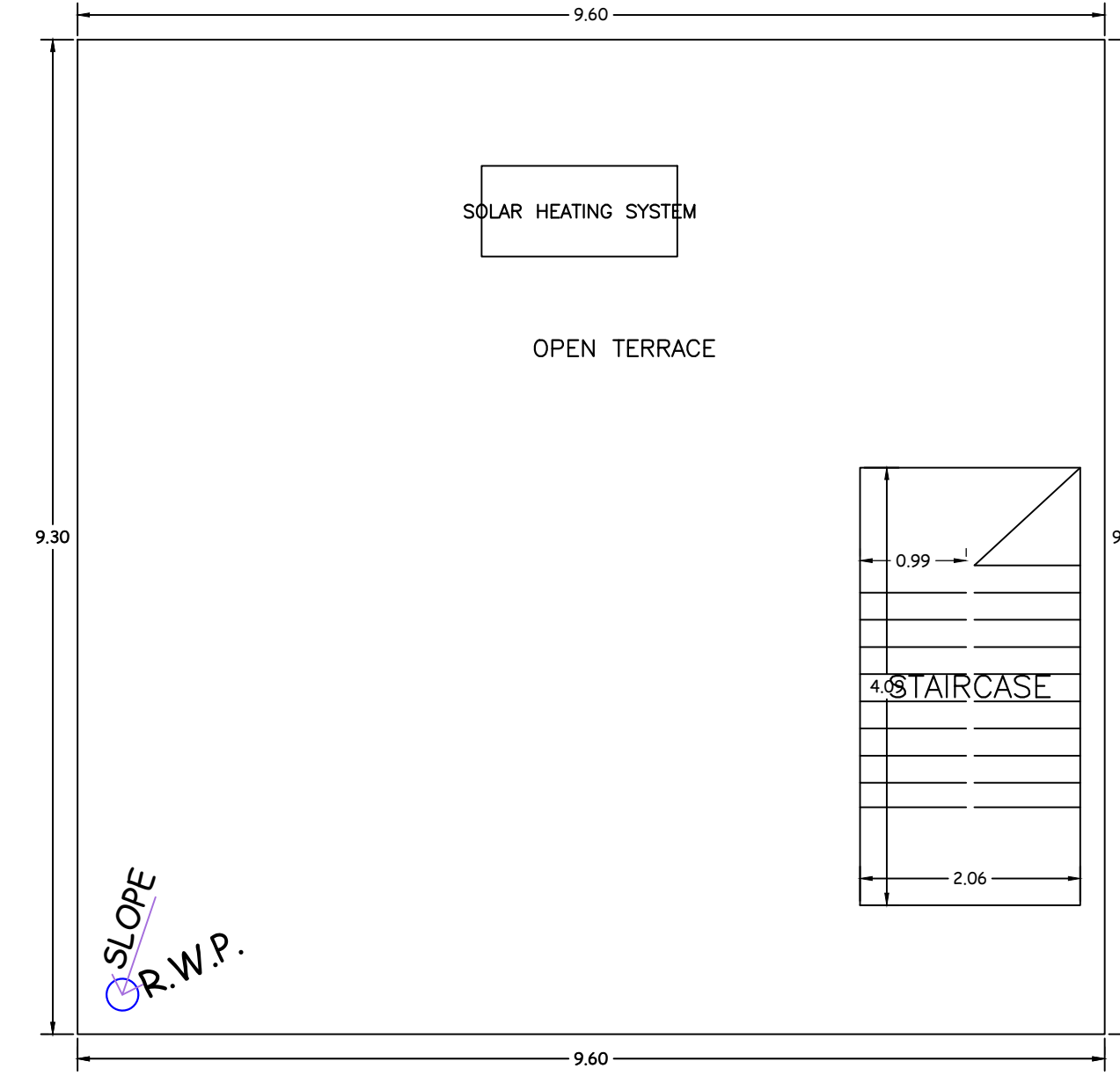
Proposal Basic Information	
Proposal File No.	MADA/BP/0023/2024
Owner Name	SRI. VIJAY KUMAR SRIVASTAVA
Khata No	OLD KHATA NO-36, NEW KHATA NO-52
Plot No	OLD PLOT NO-288, NEW PLOT NO-228
Village Name	Gayadhra
Use	Residential
SubUse	Bungalow/ Dwelling / Non Apartment



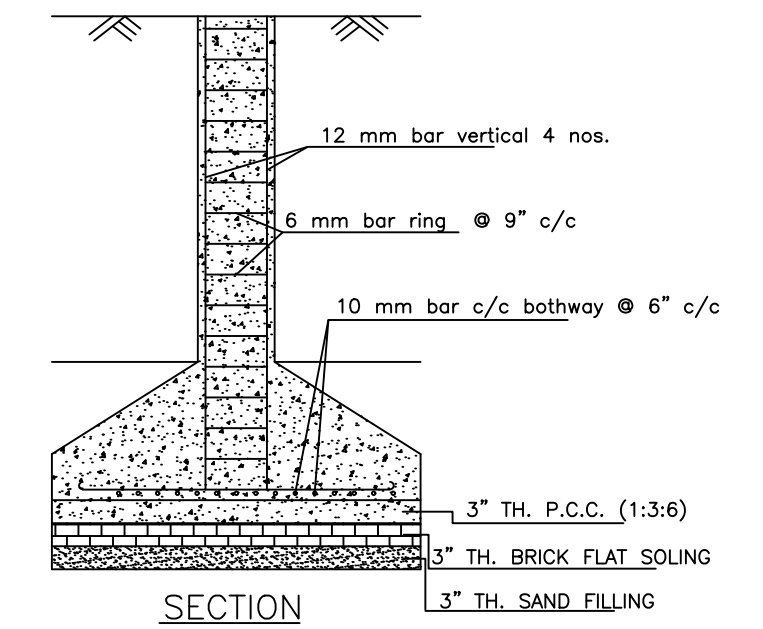
GROUND FLOOR PLAN
(Proposed)
(SCALE 1:100)



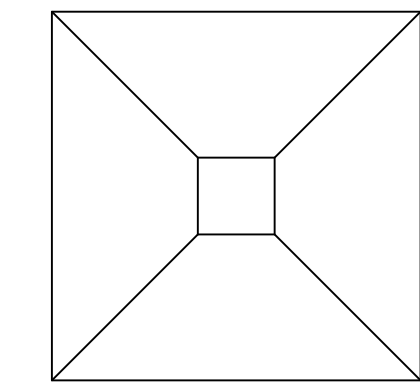
FIRST FLOOR PLAN
(Proposed)
(SCALE 1:100)



TERRACE FLOOR PLAN
(SCALE 1:100)

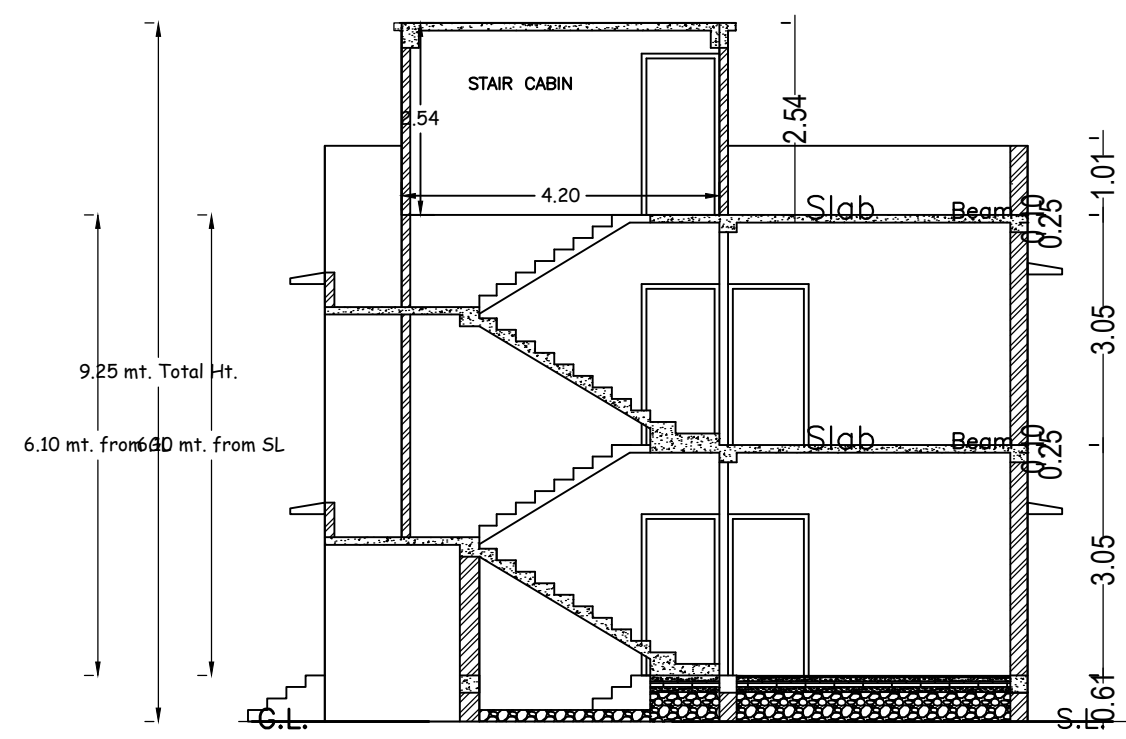


SECTION

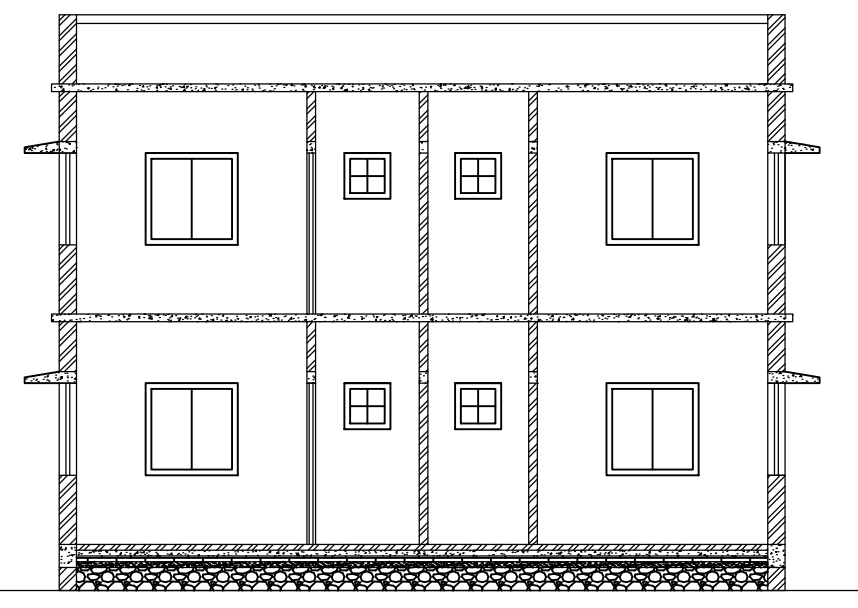


PLAN

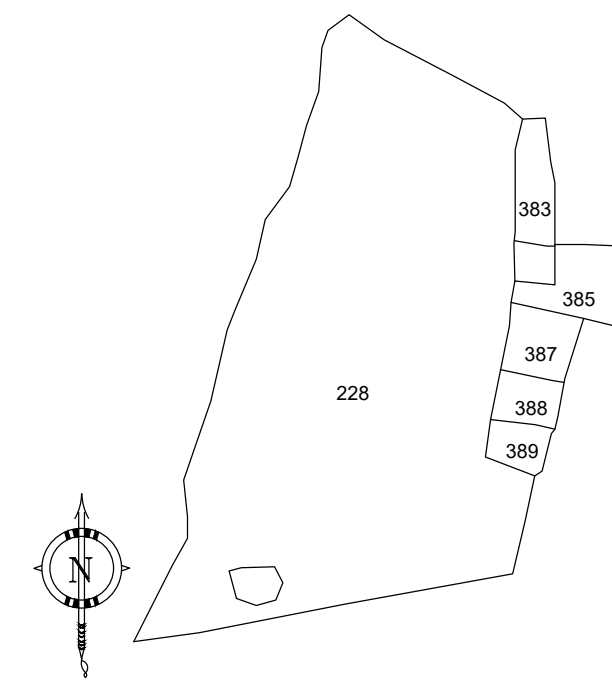
DETAILS OF COLUMN FOUNDATION
SCALE - 1" = 2'-0"



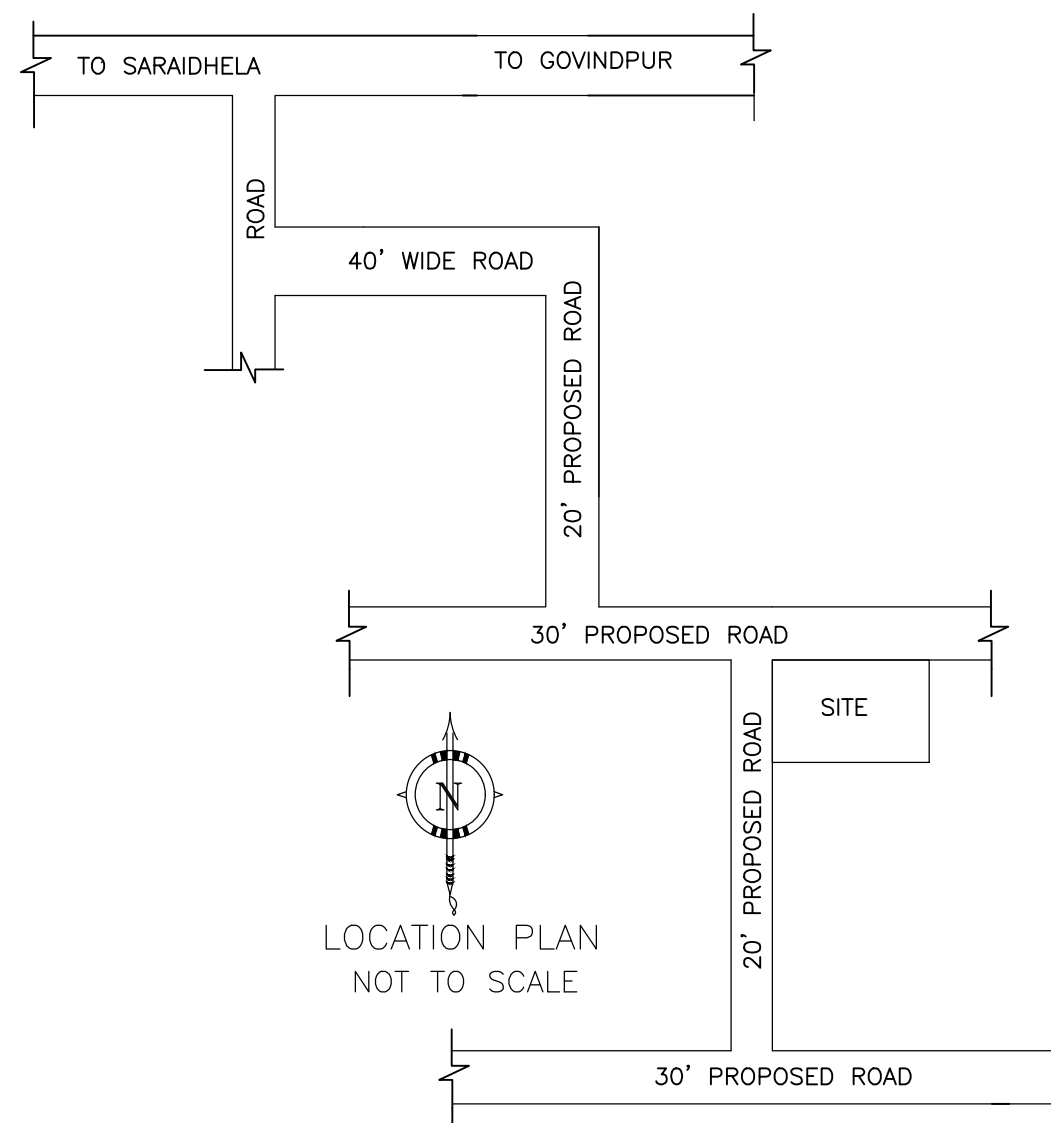
SECTION - XX'
SCALE - 1" = 8'-0"



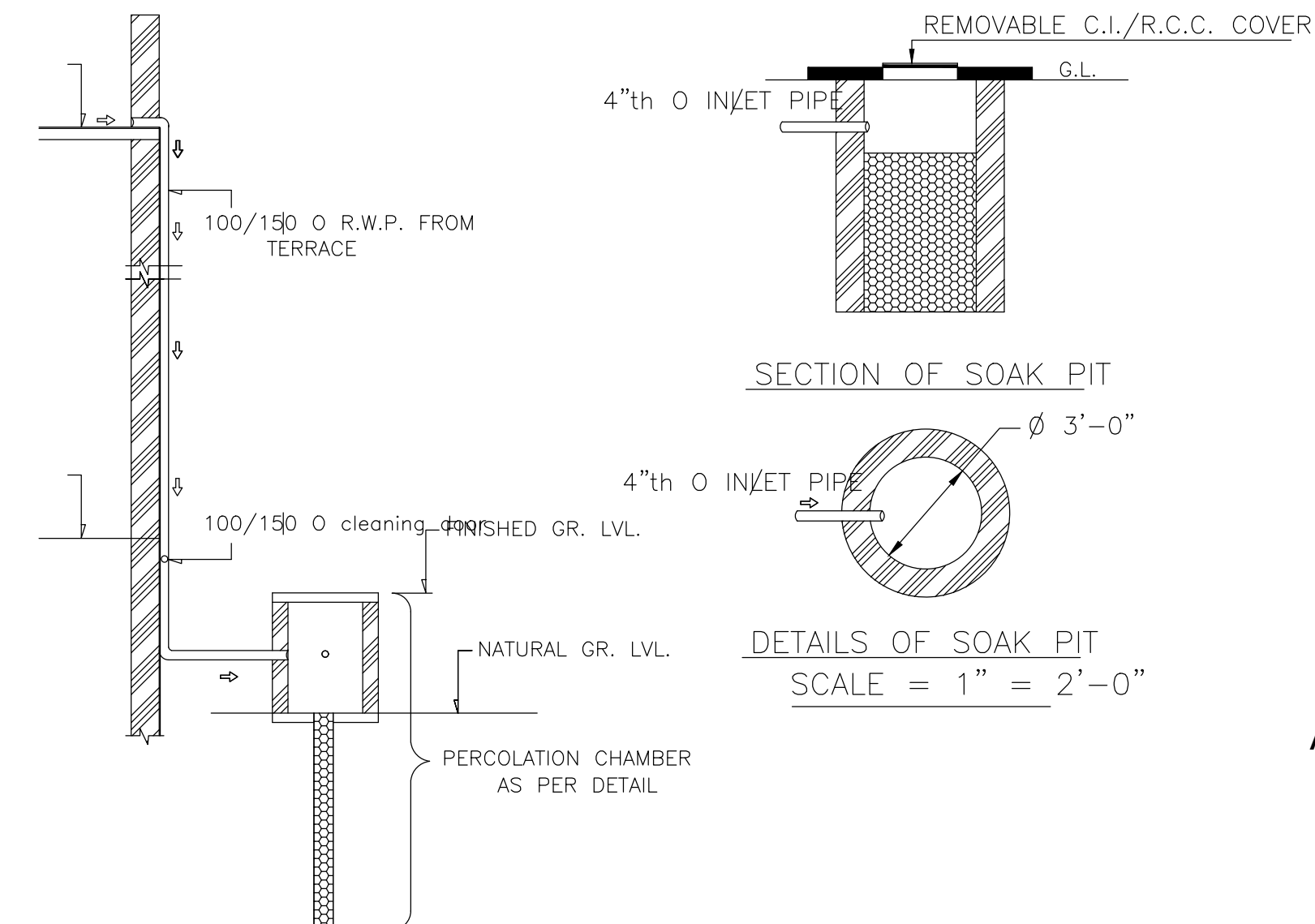
SECTION - YY'
SCALE - 1" = 8'-0"



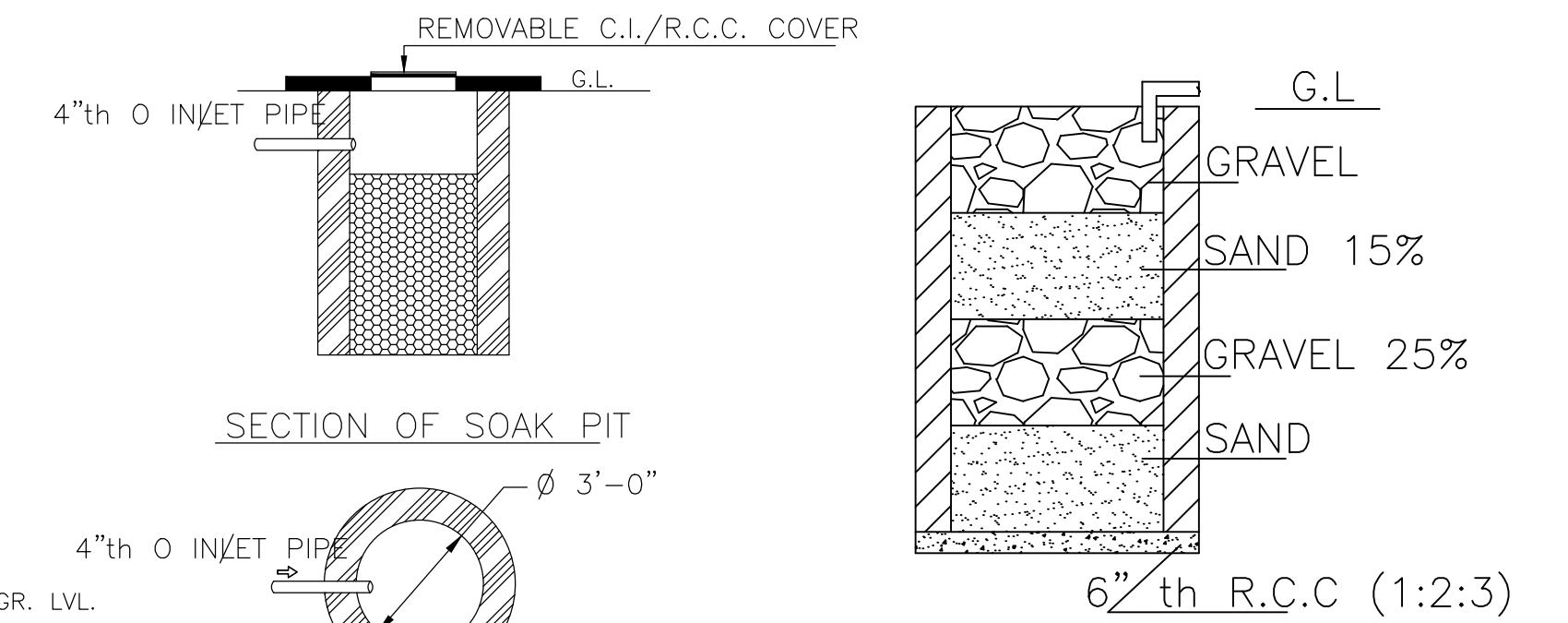
LOCATION PLAN
NOT TO SCALE



LOCATION PLAN
NOT TO SCALE

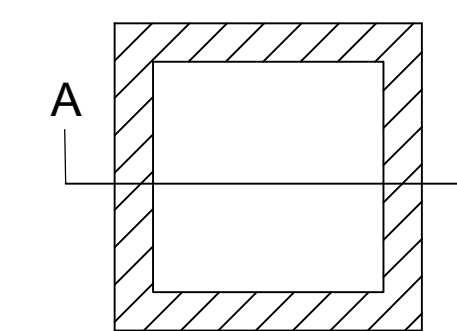


ROOF TOP RAIN WATER COLLECTION SYSTEM
SCALE = 1" = 4'-0"

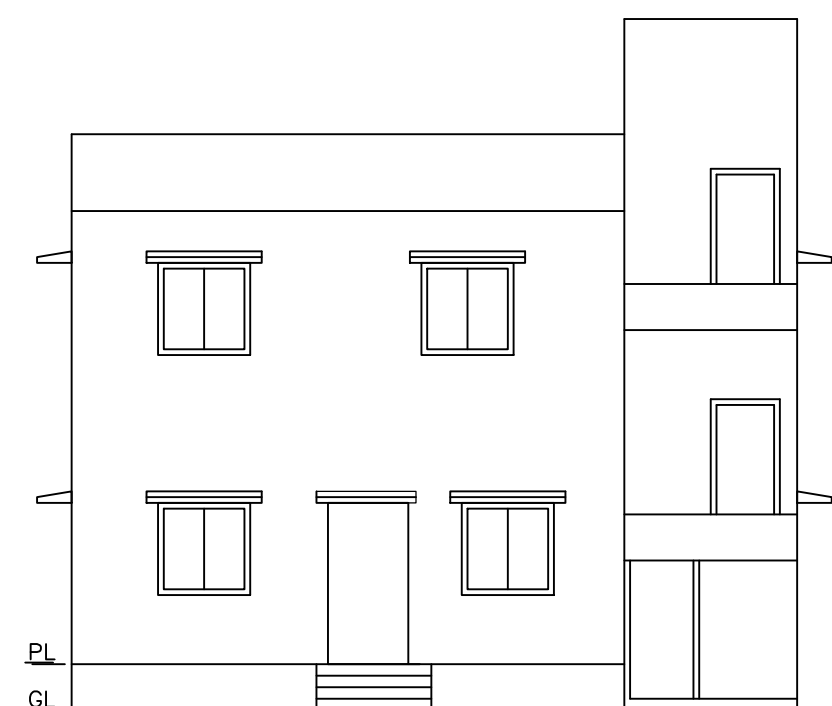


SECTION OF SOAK PIT
SCALE = 1" = 2'-0"

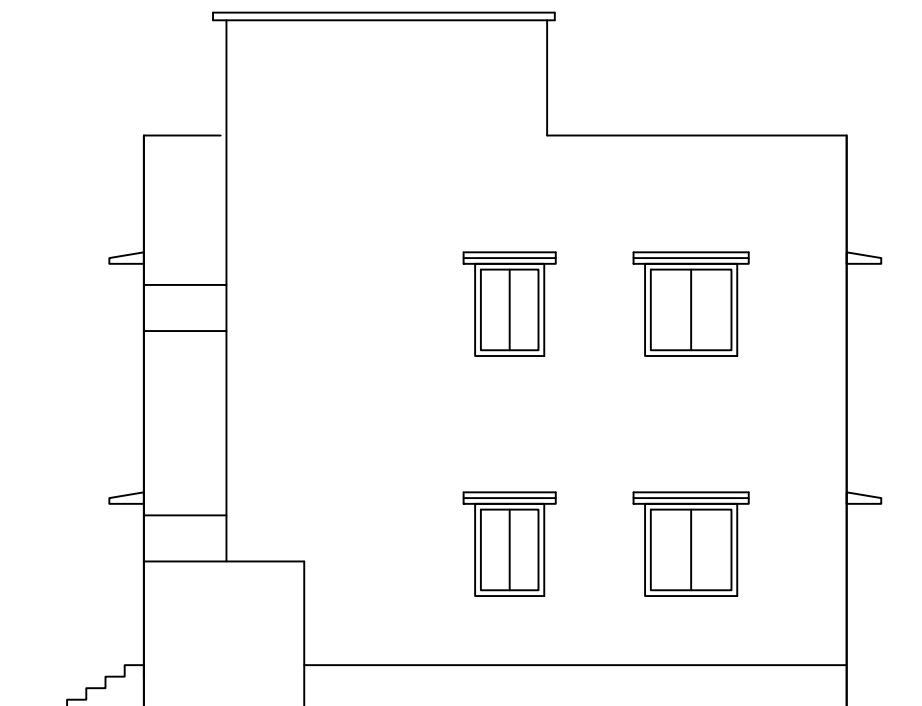
SECTION ON A - B



DETAILS DRAWING OF
RAIN WATER HARVESTING
SCALE:- 1"=2'-0"



FRONT ELEVATION
SCALE - 1" = 8'-0"



RIGHT SIDE ELEVATION
SCALE - 1" = 8'-0"

LTP NAME AND SIGNATURE	STRUCTURAL ENG'S NAME AND SIGNATURE	BUILDER NAME AND SIGNATURE	DIGITAL SIGNATURE
RAM PRATAP SINGH MADA/ARC/0024/2019			