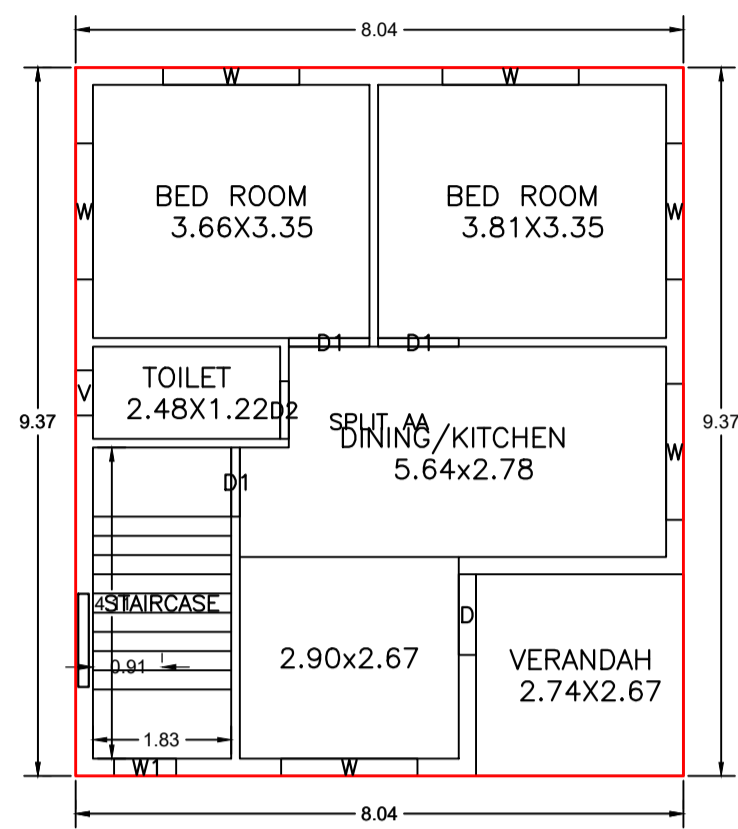
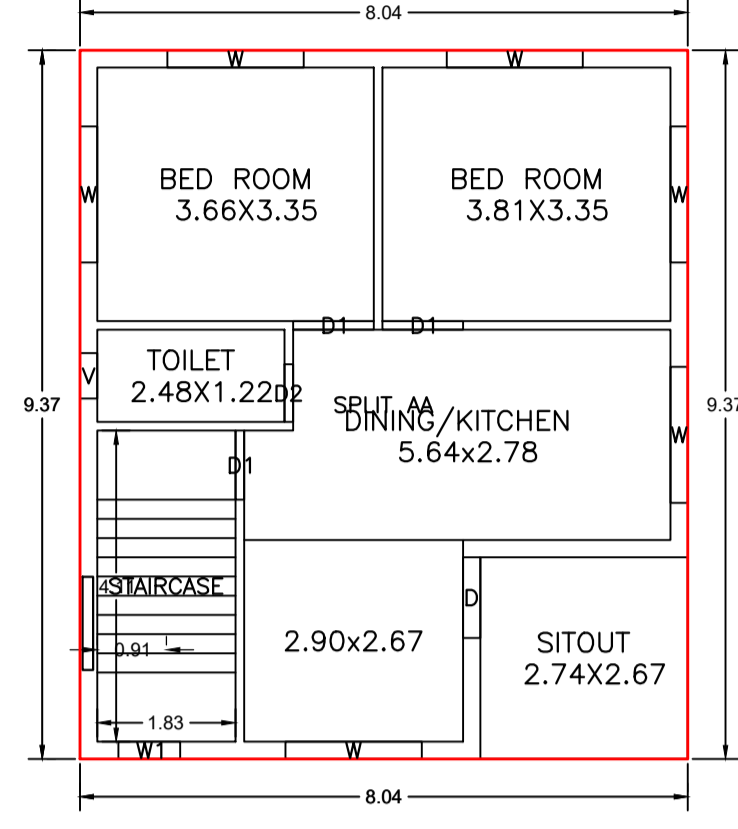




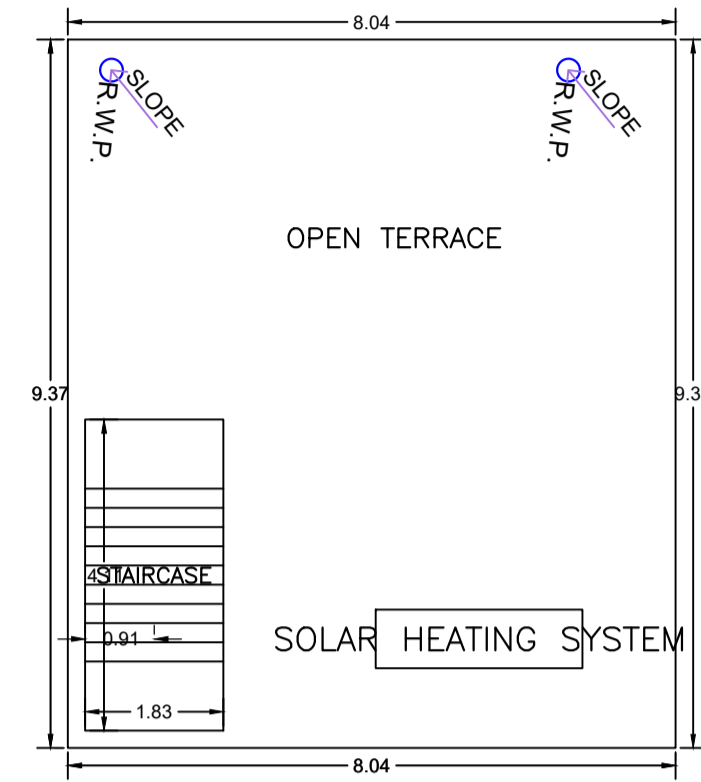
Proposal Basic Information	
Proposal File No.	MADA/BP/0232/2024
Owner Name	RAHUL KUMAR
Khata No	11(OLD),17, 55(NEW)
Plot No	128(OLD), 51, 52(NEW)
Village Name	Narayanpur
Use	Residential
SubUse	Bungalow/ Dwelling / Non Apartment



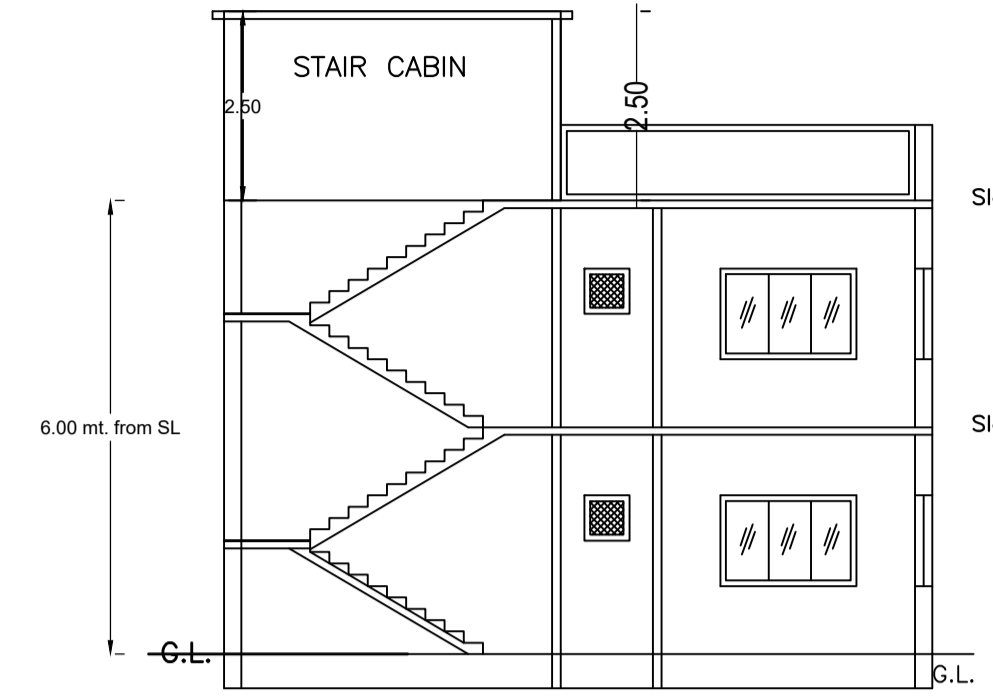
GROUND FLOOR PLAN  
(Proposed)  
(SCALE 1:100)



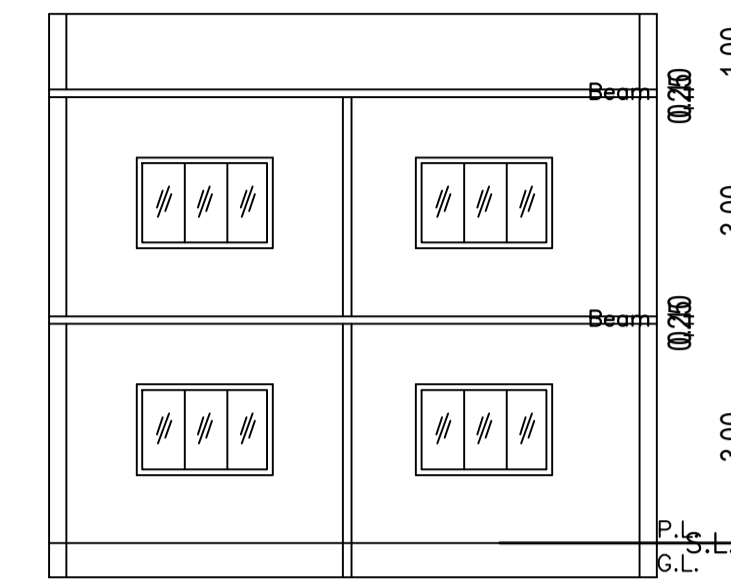
FIRST FLOOR PLAN  
(Proposed)  
(SCALE 1:100)



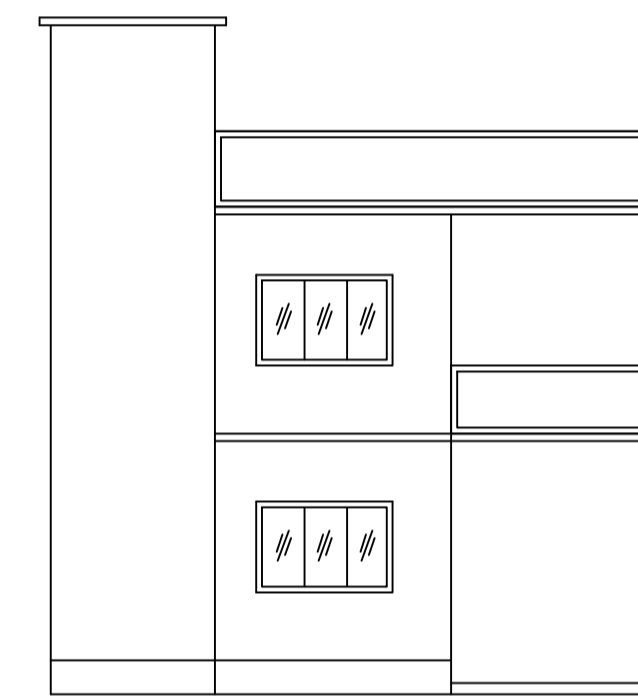
TERRACE FLOOR PLAN  
(SCALE 1:100)



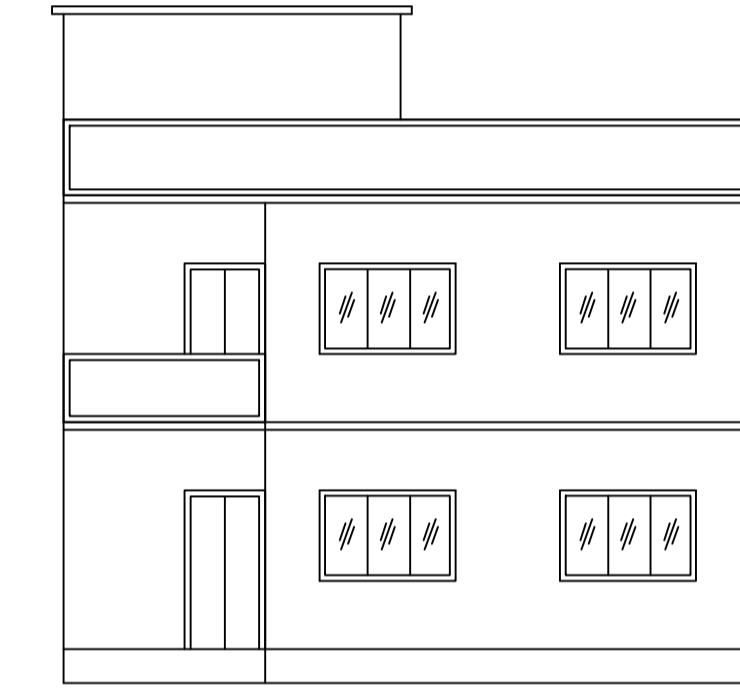
SECTION ON X-X



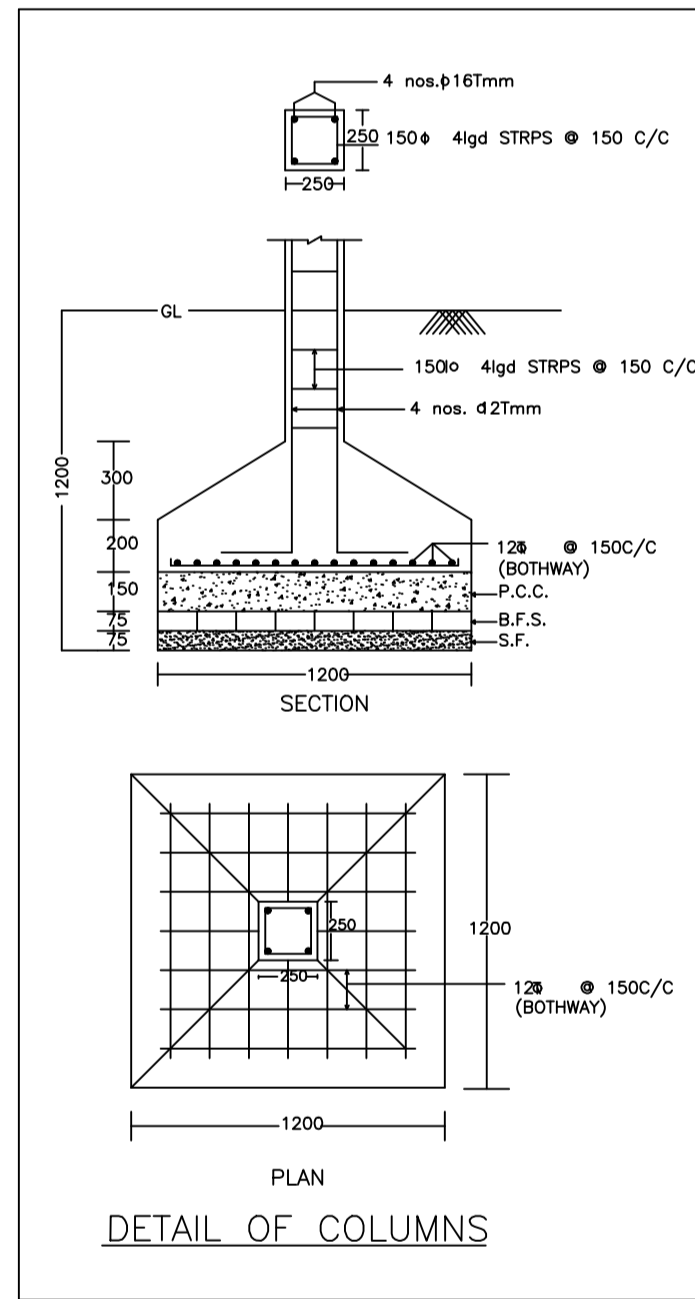
SECTION ON Y-Y



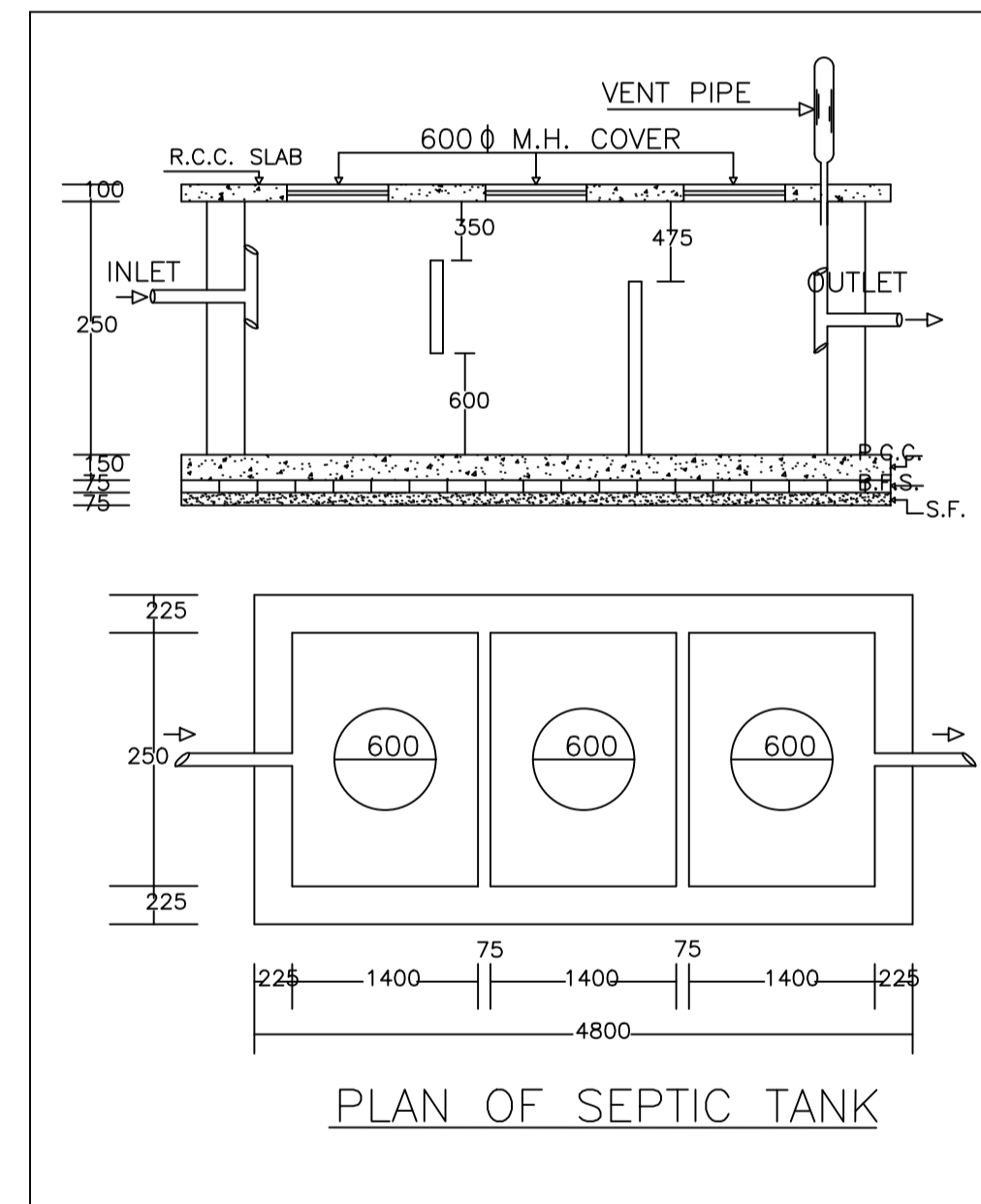
FRONT ELEVATION



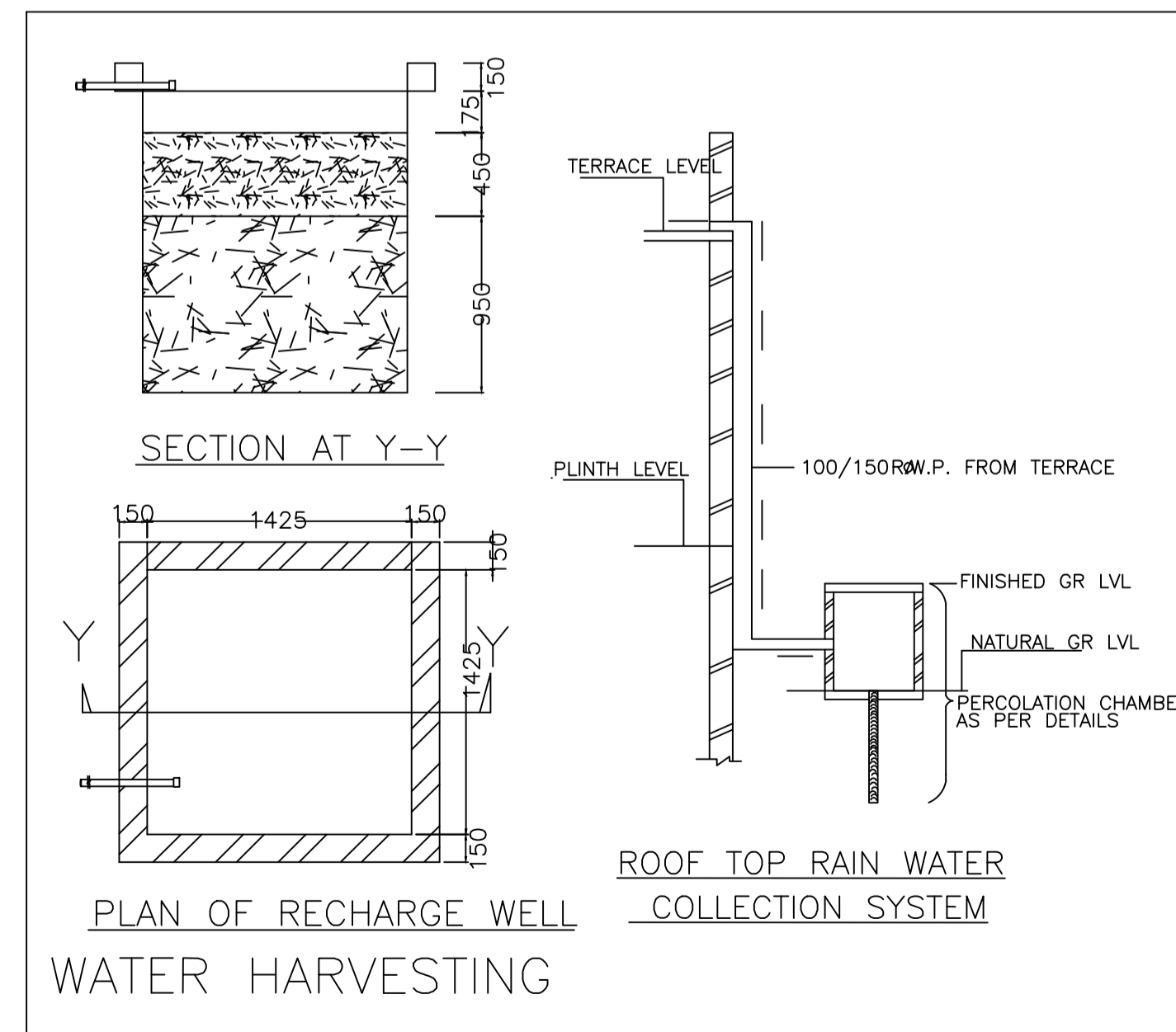
LEFT SIDE ELEVATION



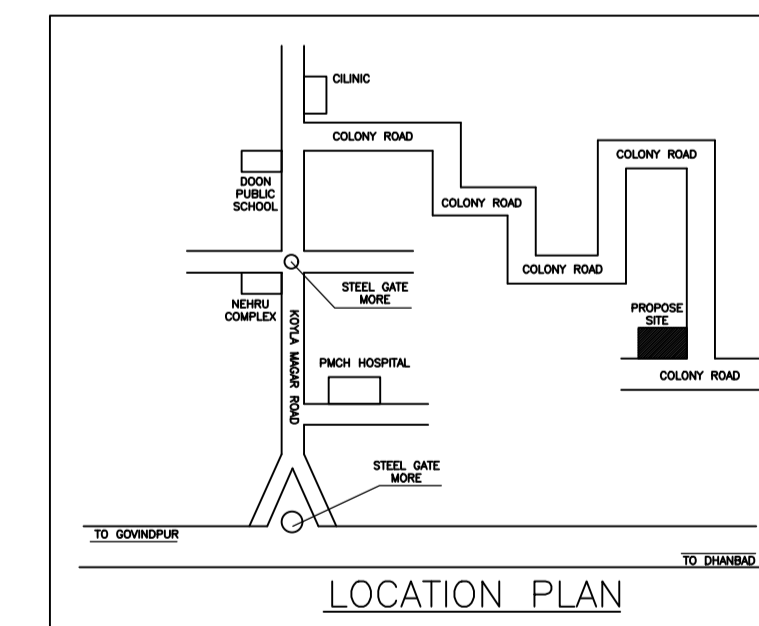
DETAIL OF COLUMNS



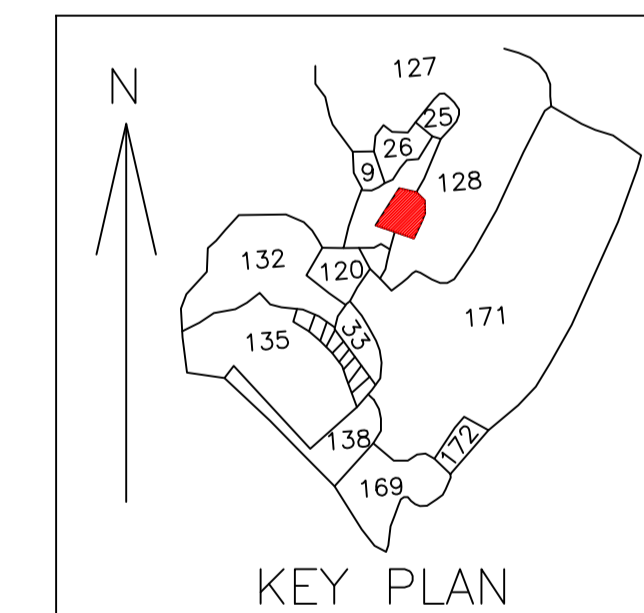
PLAN OF SEPTIC TANK



PLAN OF RECHARGE WELL  
WATER HARVESTING



LOCATION PLAN



KEY PLAN

LTP NAME AND SIGNATURE	STRUCTURAL ENG'S NAME AND SIGNATURE	BUILDER NAME AND SIGNATURE	DIGITAL SIGNATURE
RAJEEV RANJAN SINGH MADA/ENG/0004/2019			