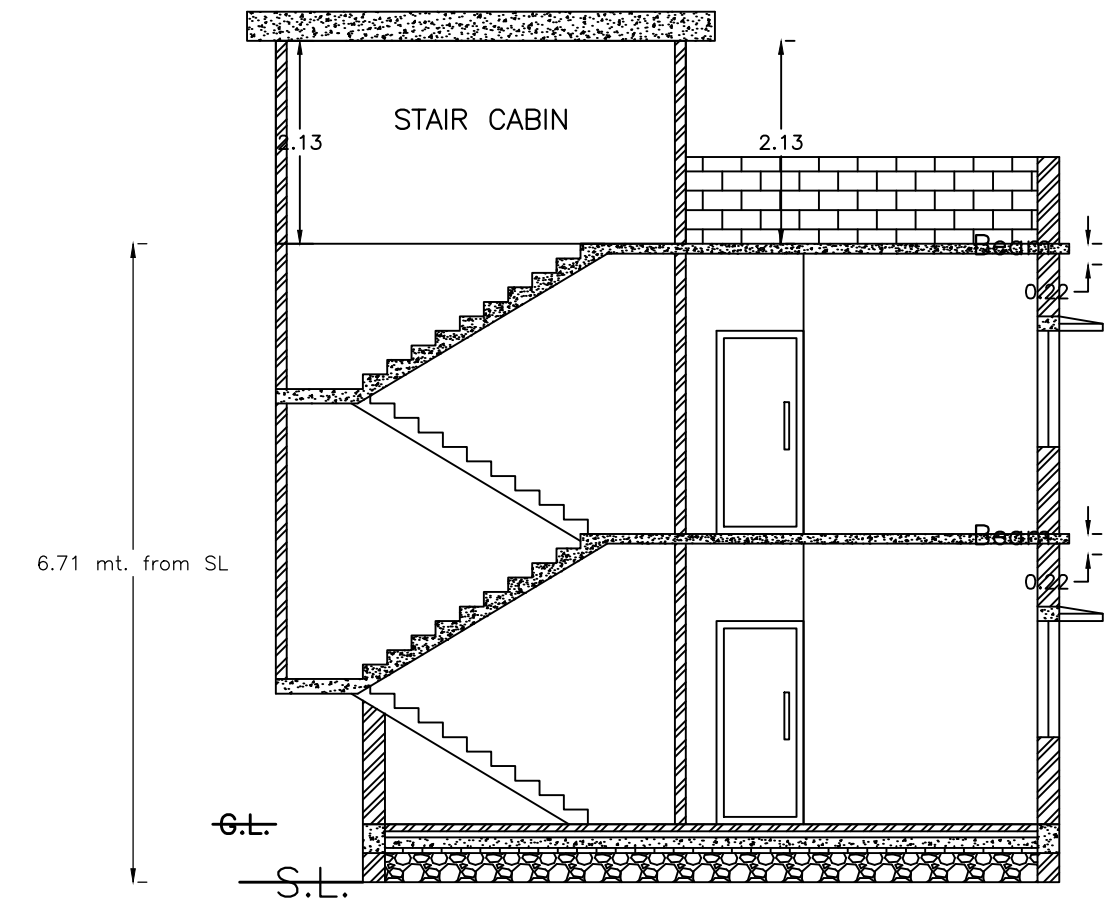
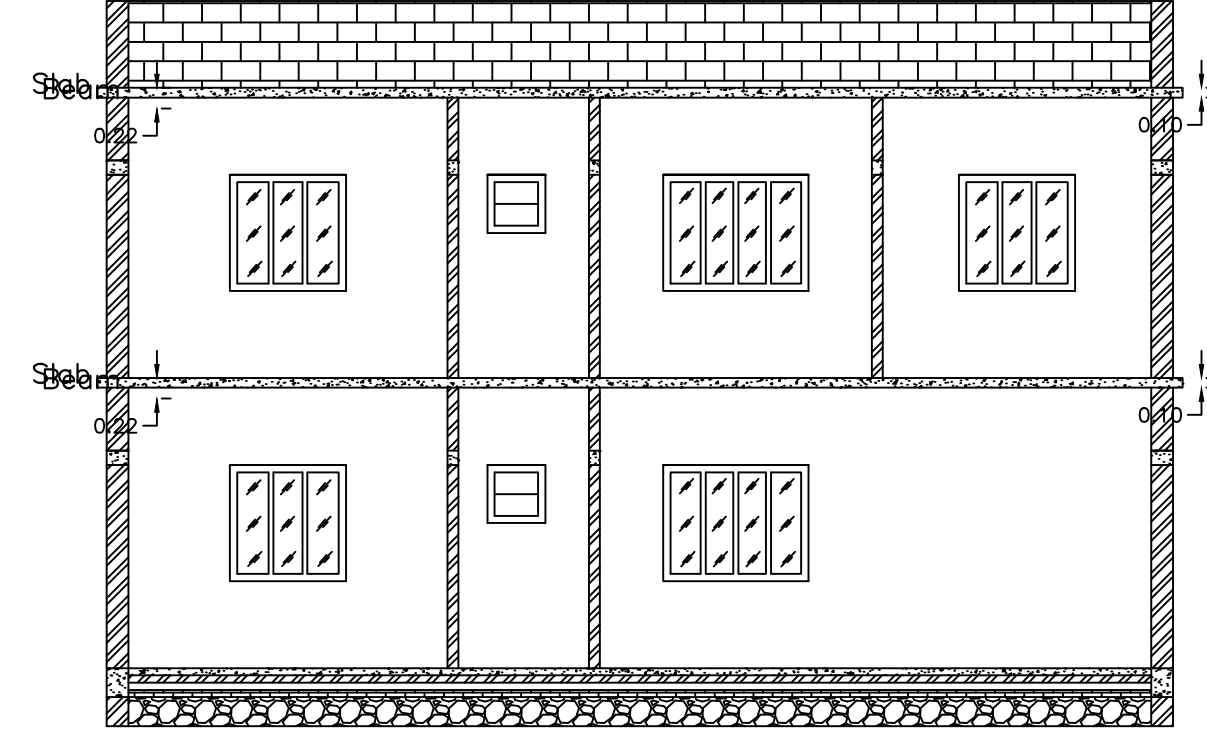


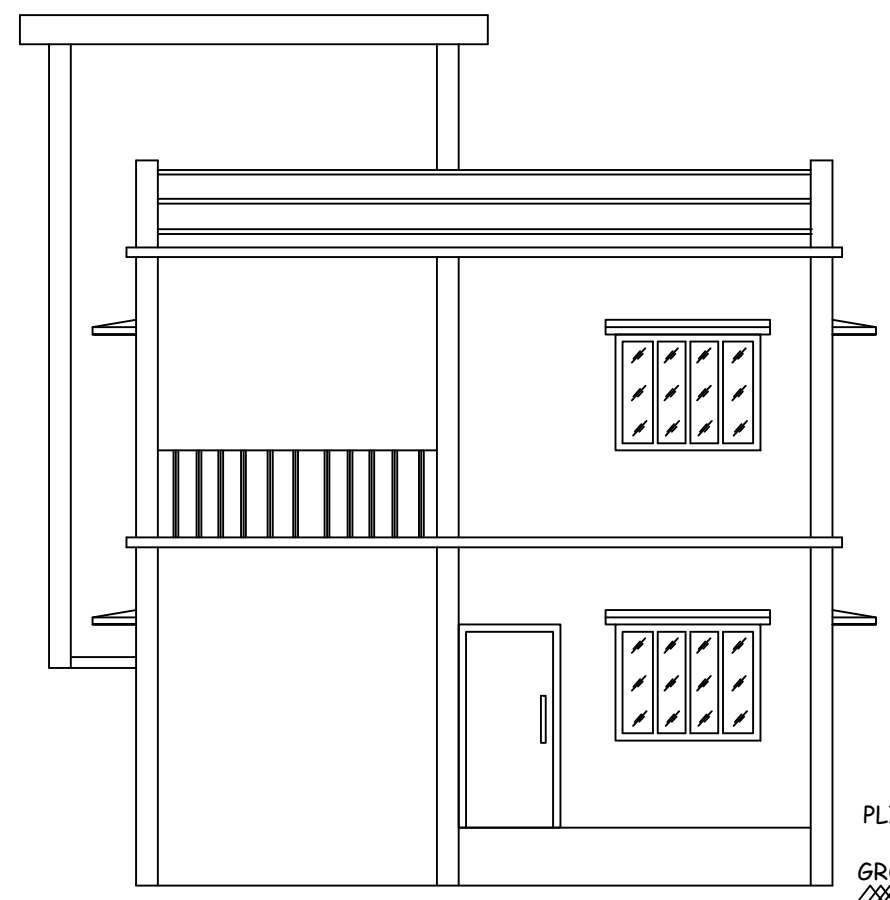
SITE PLAN
SCALE - 1" = 16'-0"



SECTION - XX'
SCALE - 1" = 8'-0"



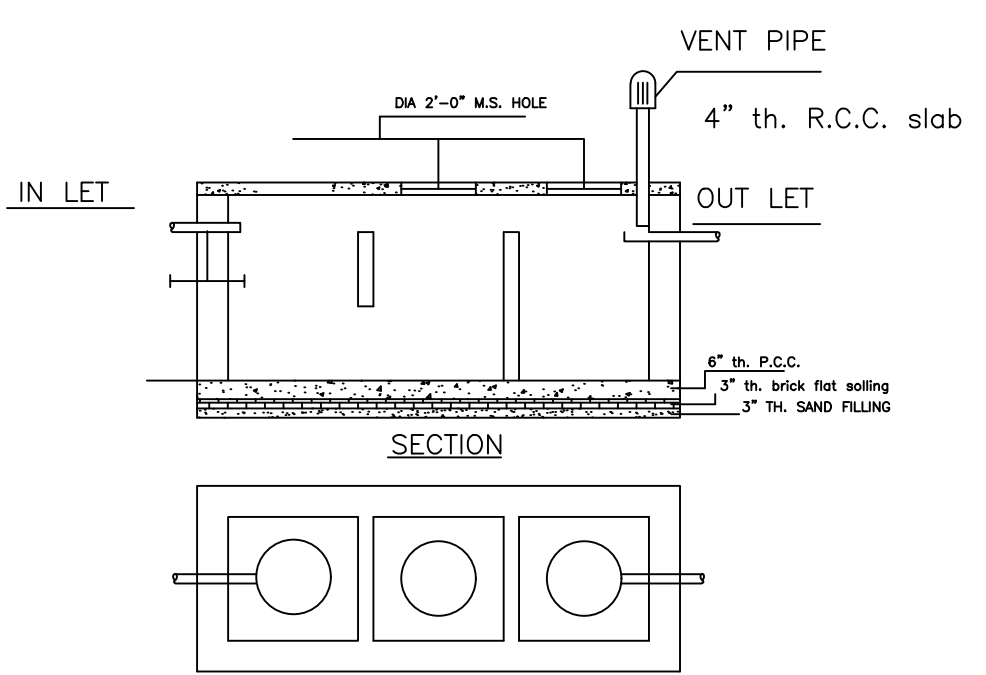
SECTION - YY'
SCALE - 1" = 8'-0"



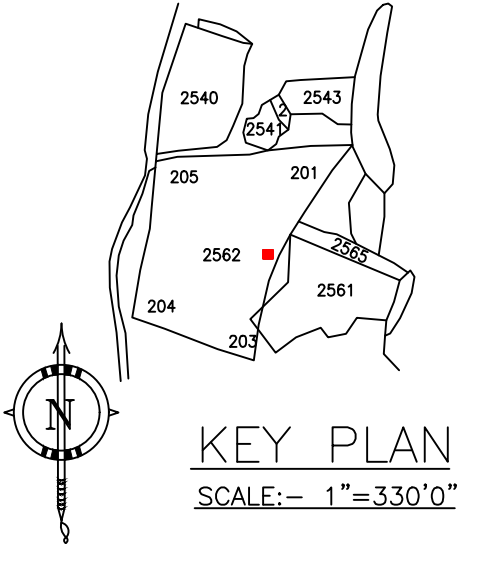
FRONT ELEVATION
SCALE - 1" = 8'-0"



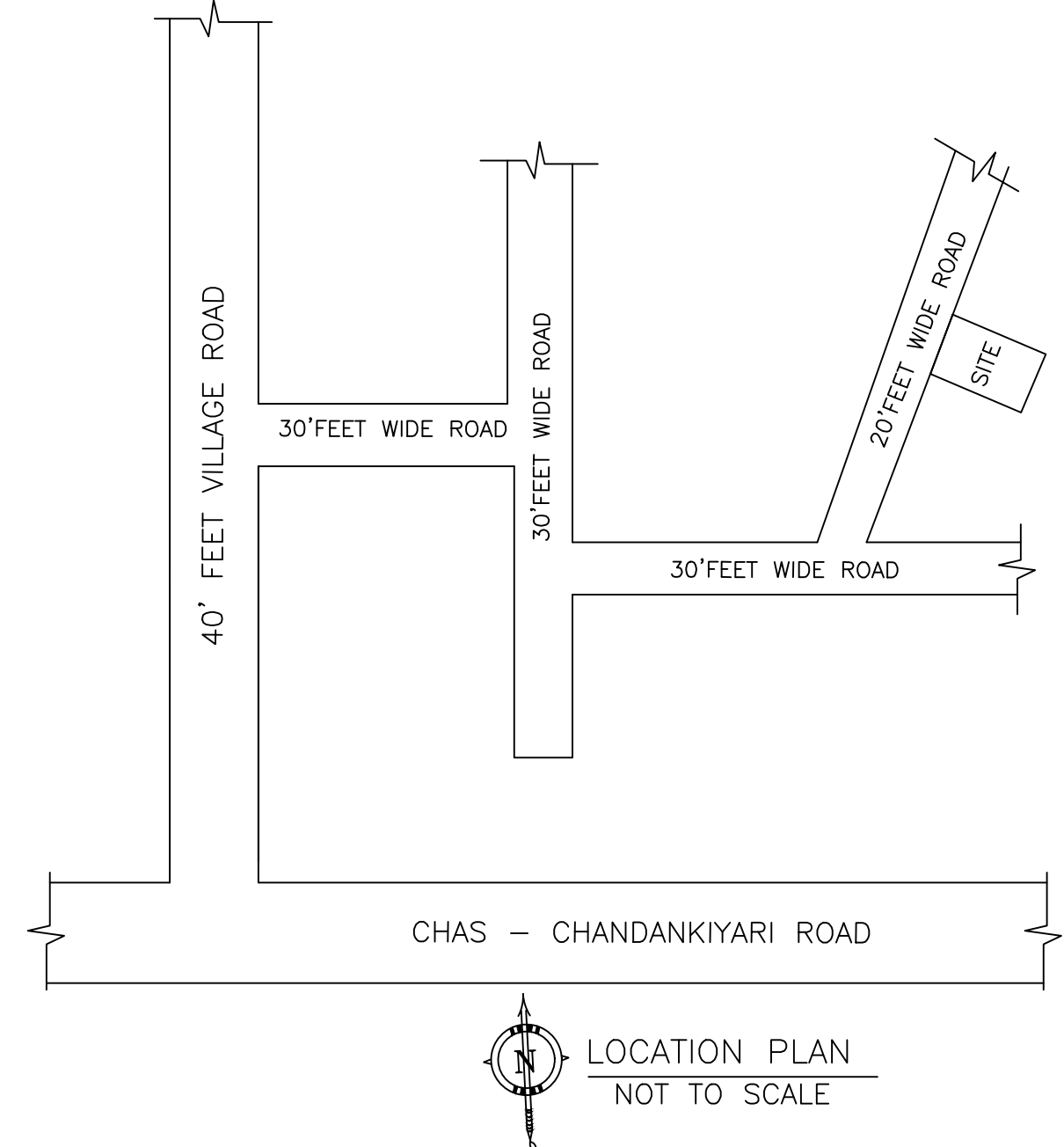
LEFT SIDE ELEVATION
SCALE - 1" = 8'-0"



DETAILS OF SEPTIC TANK
SCALE - 1" = 4'-0"



KEY PLAN
SCALE:- 1"=330'0"



LOCATION PLAN
NOT TO SCALE

Proposal Basic Information

Proposal File No.	MADA/BP/0108/2024
Owner Name	SRI. SURAJ KUMAR
Khata No	KHATA NO-134
Plot No	PLOT NO-2562
Village Name	Khamarbendi
Use	Residential
SubUse	Bungalow/ Dwelling / Non Apartment

AREA STATEMENT MINERAL DEVELOPMENT AUTHORITY	VERSION NO. : 1.0/70	
PROJECT DETAIL:	REGION: JHARKHAND URBAN LOCAL BODIES	Plot Use: Residential
District: DHANBAD	Plot SubUse: Bungalow/ Dwelling / Non Apartment	
Authority: MINERAL AREA DEVELOPMENT AUTHORITY	PlotNearby/ReligiousStructure: NA	
Inward No: MADA/BP/0108/2024	PlotSubPlot No: PLOT NO-2562	
Application Type: General Proposal	North: Plot No. - SAME PLOT	
Project Type: Building Permission	South: Plot No. - SAME PLOT	
Nature of Development: New	East: Plot No. - SAME PLOT	
Location of Development Area: Old Area	West: Road Width - 6.10	
AREA DETAILS:		SQ.MT.
AREA OF PLOT (Minimum)	(A)	139.02
NET AREA OF PLOT(Gross Plot Area - Deduction from Gross Plot area)	(A-Deductions)	139.02
Deduction for Balance Plot Area(from Gross Plot Area)		
Common Plot		15.32
Total		15.32
BALANCE AREA OF PLOT(Net Plot Area - Recreational/Amenity space)	(A-Deductions)	123.70
PLOT AREA FOR COVERAGE(Net Plot Area)	(A-Deductions)	139.02
Plot Area for FAR (Net Plot Area + RoadWidening Area)	(A-Deductions)	139.02
COVERAGE CHECK		
Permissible Coverage area (70.00 %)		97.31
Proposed Coverage Area (60.29 %)		83.82
Total Prop. Coverage Area (60.29 %)		83.82
Balance coverage area (9.70 %)		13.49
FAR CHECK		
Perm. FAR Area (2.500)		347.55
Total Perm. FAR area		347.55
Residential FAR		167.64
Proposed FAR Area		167.64
Total Proposed FAR Area		167.64
Consumed FAR (Factor)		1.21
Balance FAR Area		179.91
BUILT UP AREA CHECK		
Total Proposed BuiltUp Area		167.64
ARCHITECT (Regd)		RAM PRATAP SINGH
ENGINEER (Regd)		
SUPERVISOR (Regd)		
OWNER (Regd)		SRI. SURAJ KUMAR
DEVELOPMENT AUTHORITY		LOCAL BODY

COLOR INDEX

PLOT BOUNDARY	Black
ABUTTING ROAD	Red
PROPOSED CONSTRUCTION	Green
COMMON PLOT	Yellow
ROAD WIDENING AREA	Blue
EXISTING (To be retained)	Orange
EXISTING (To be demolished)	Purple

UnitBUA Table for Building :A (SURAJ)

FLOOR	Name	UnitBUA Type	UnitBUA Area	Carpet Area	No. of Rooms	No. of Tenement
GROUND FLOOR PLAN	SPLIT A	FLAT	167.64	167.51	7	1
FIRST FLOOR PLAN	SPLIT A	FLAT	0.00	0.00	8	0
Total:	-	-	167.64	167.51	15	1

SCHEDULE OF DOOR:

BUILDING NAME	NAME	LENGTH	HEIGHT	NOS
A (SURAJ)	D	0.76	2.10	04
A (SURAJ)	D	0.91	2.10	07
A (SURAJ)	D	1.07	2.10	04
A (SURAJ)	D	1.15	2.10	01

SCHEDULE OF WINDOW/VENTILATION:

BUILDING NAME	NAME	LENGTH	HEIGHT	NOS
A (SURAJ)	V	0.61	1.20	04
A (SURAJ)	W	1.22	1.20	07
A (SURAJ)	W	1.52	1.20	08

Building :A (SURAJ)

Floor Name	Total Built Up Area (Sq.mt.)	Proposed FAR Area (Sq.mt.) Resi.	Total FAR Area (Sq.mt.)	Total Consumed Additional FAR Area (Sq.mt.)	Tnmt (No.)
Ground Floor	83.82	83.82	83.82	83.82	01
First Floor	83.82	83.82	83.82	83.82	00
Terrace Floor	0.00	0.00	0.00	0.00	00
Total :	167.64	167.64	167.64	167.64	01
Total Number of Same Buildings	1				
Total :	167.64	167.64	167.64	167.64	01

Buildingwise Floor FAR Details

Floor Name	Building Name		Total	
	Proposed Built Up Area (Sq.mt.)	Proposed FAR Area (Sq.mt.)	Total Proposed Built Up Area (Sq.mt.)	Total FAR Area (Sq.mt.)
Ground Floor	83.82	83.82	83.82	83.82
First Floor	83.82	83.82	83.82	83.82
Terrace Floor	0.00	0.00	0.00	0.00
Total :	167.64	167.64	167.64	167.64

Building USE/SUBUSE Details

Building Name	Building Use	Building SubUse	Building Structure
A (SURAJ)	Residential	Bungalow/ Dwelling / Non Apartment	Non-Highrise

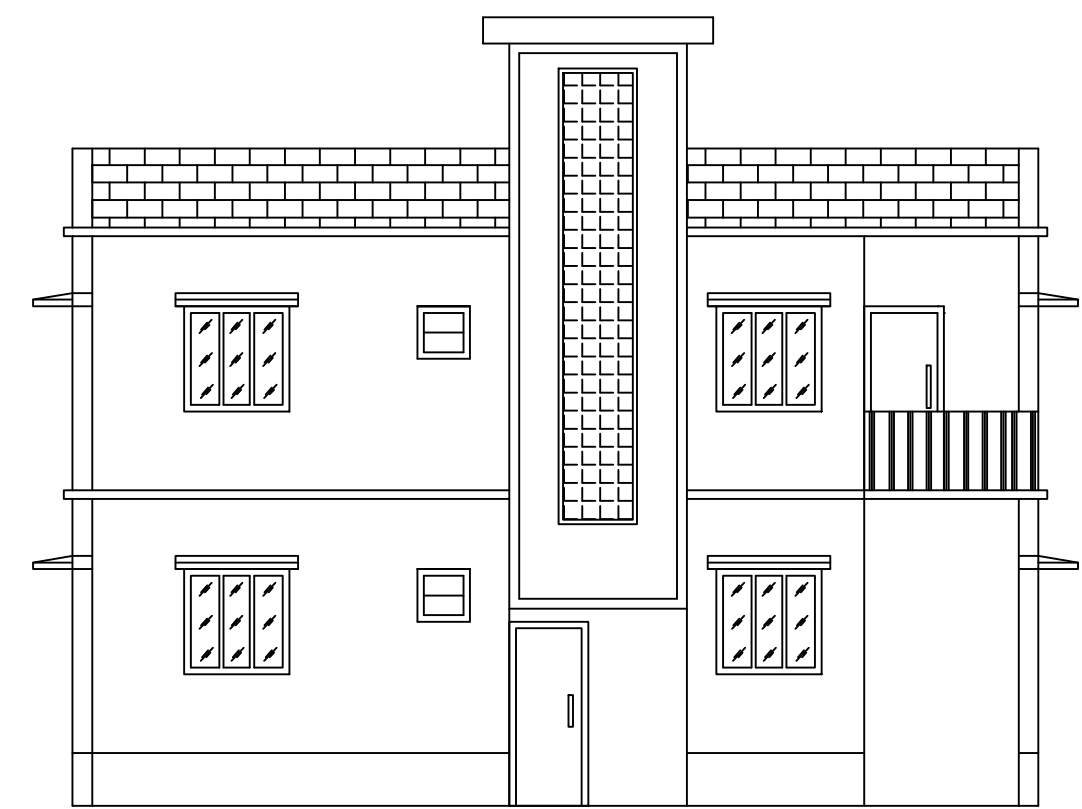
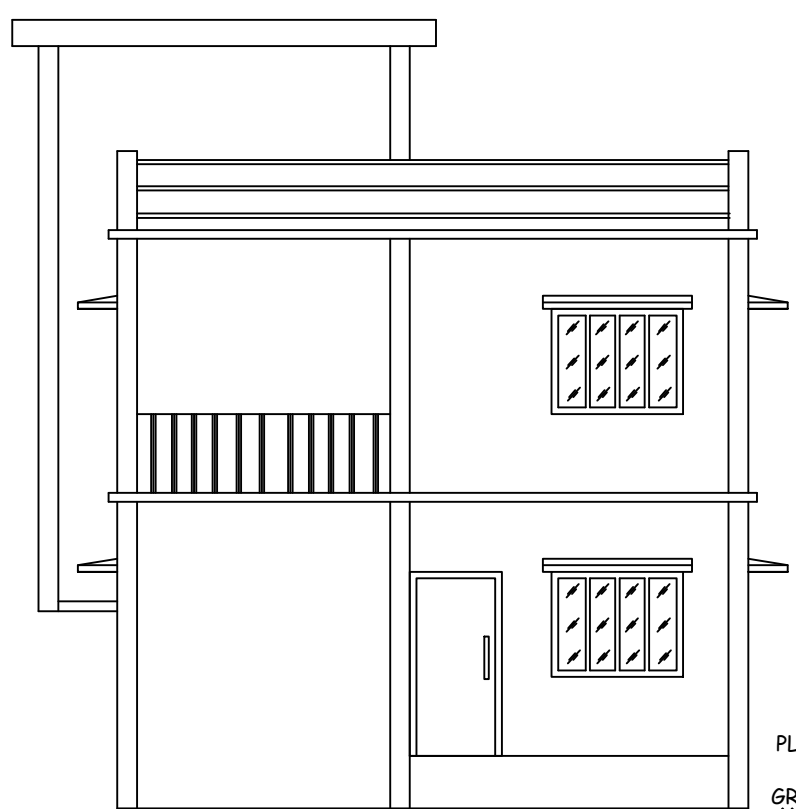
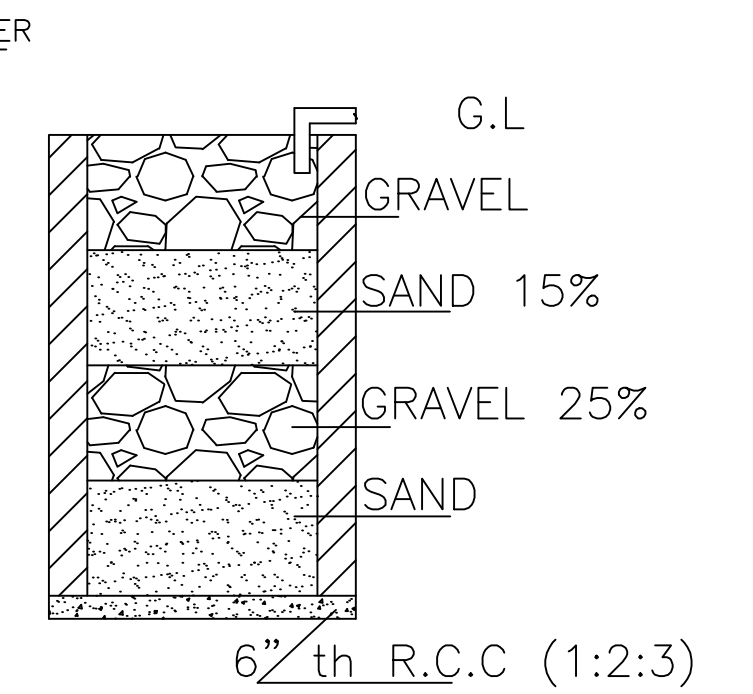
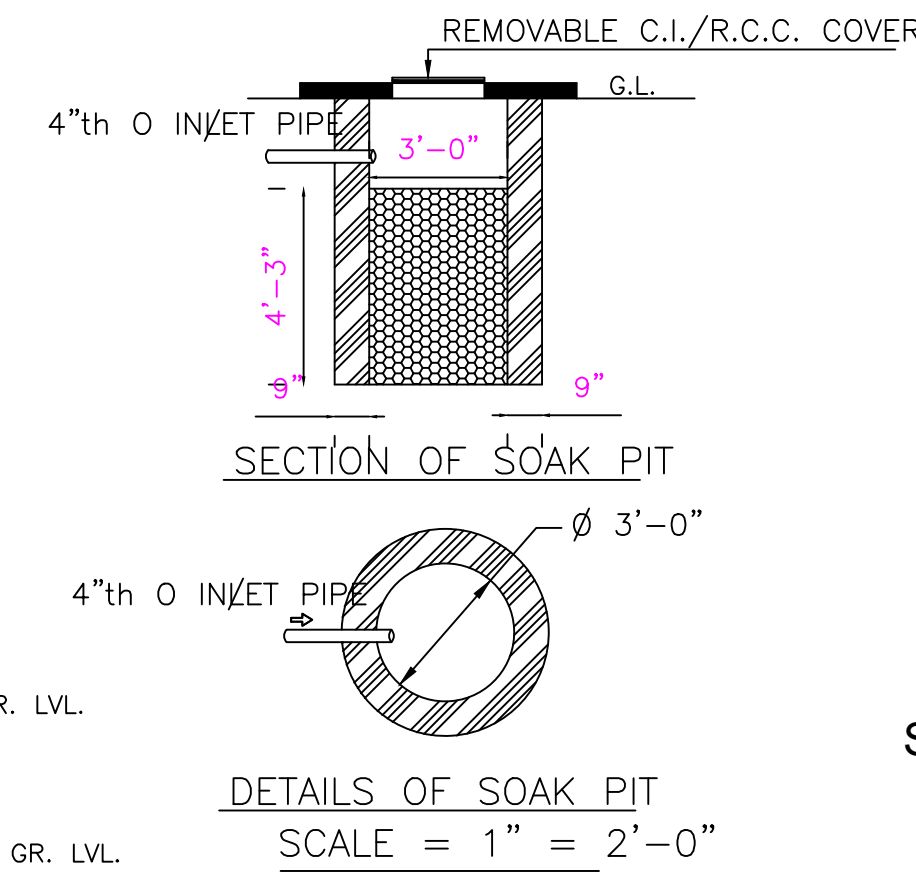
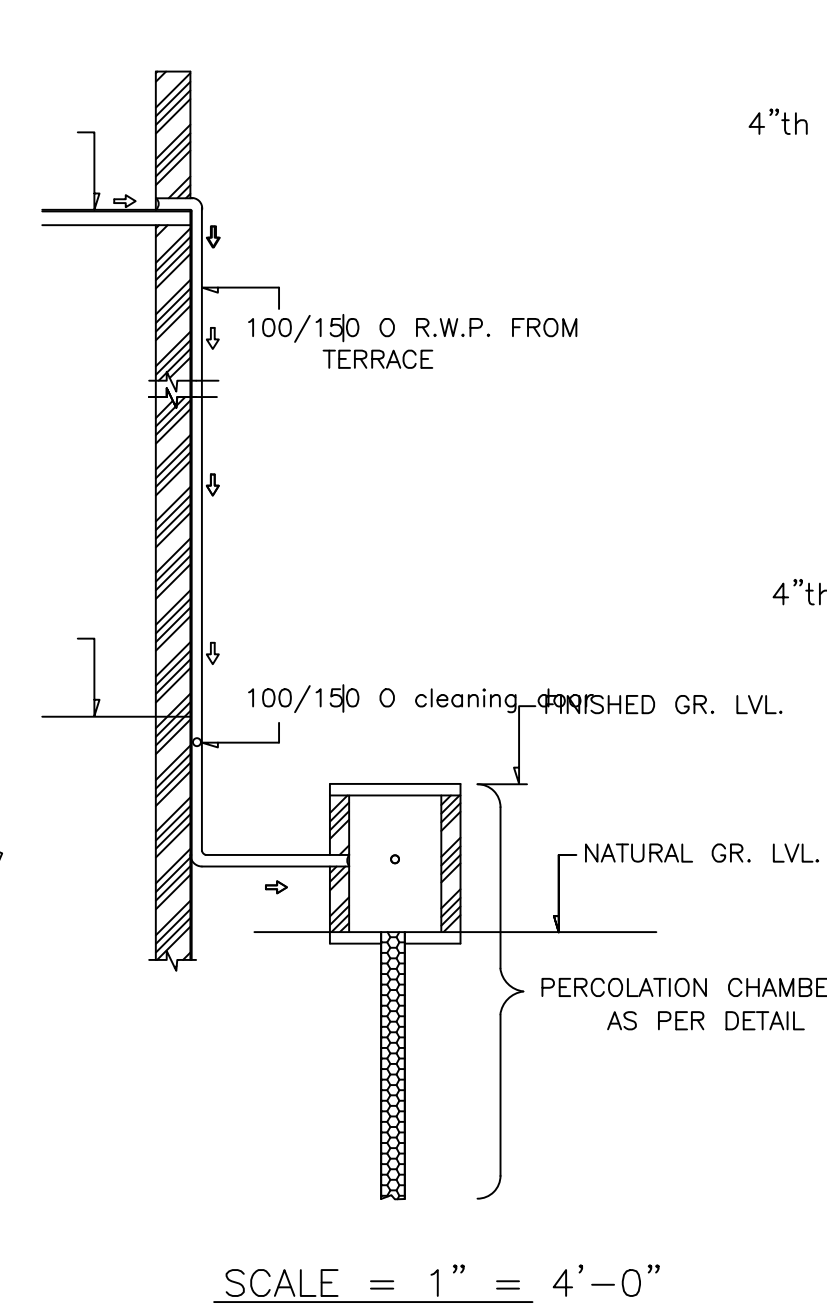
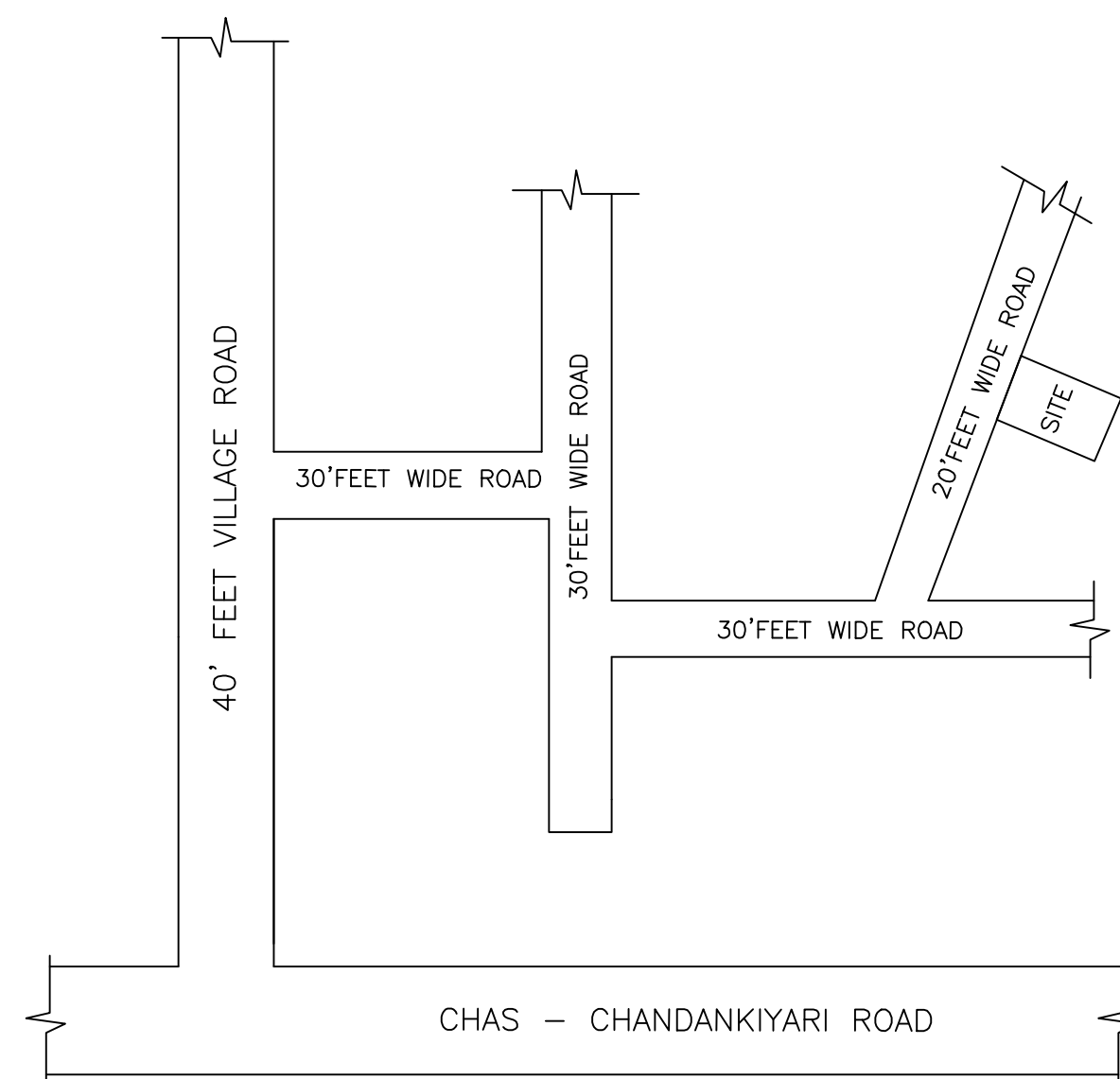
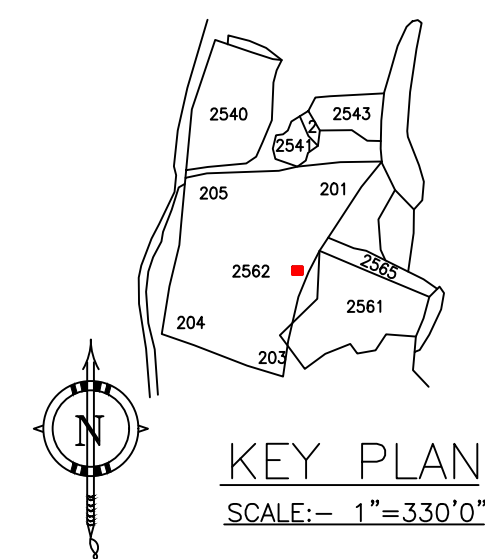
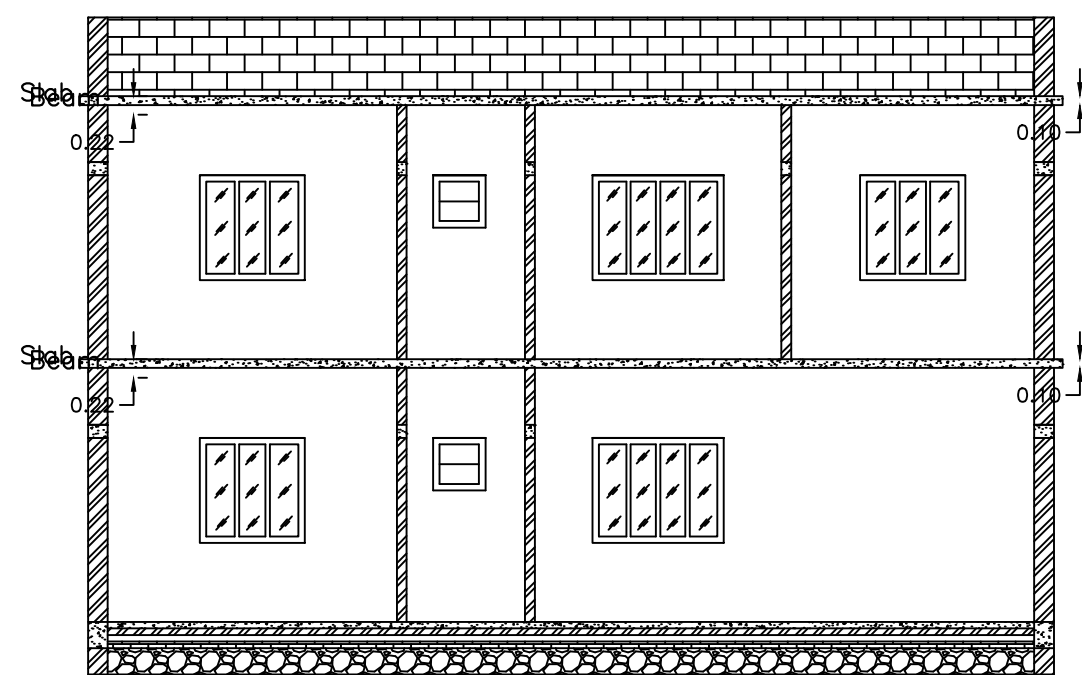
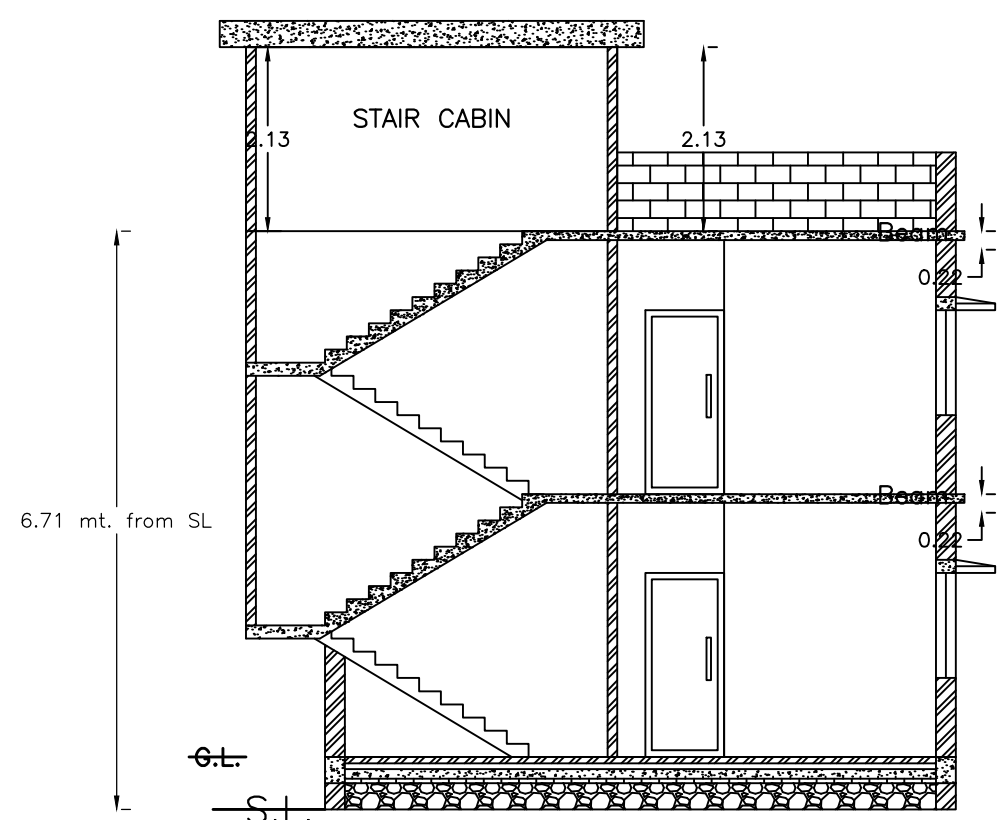
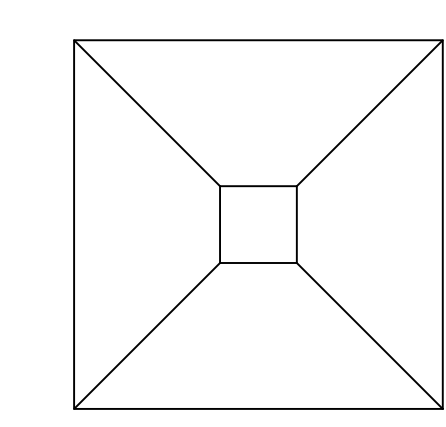
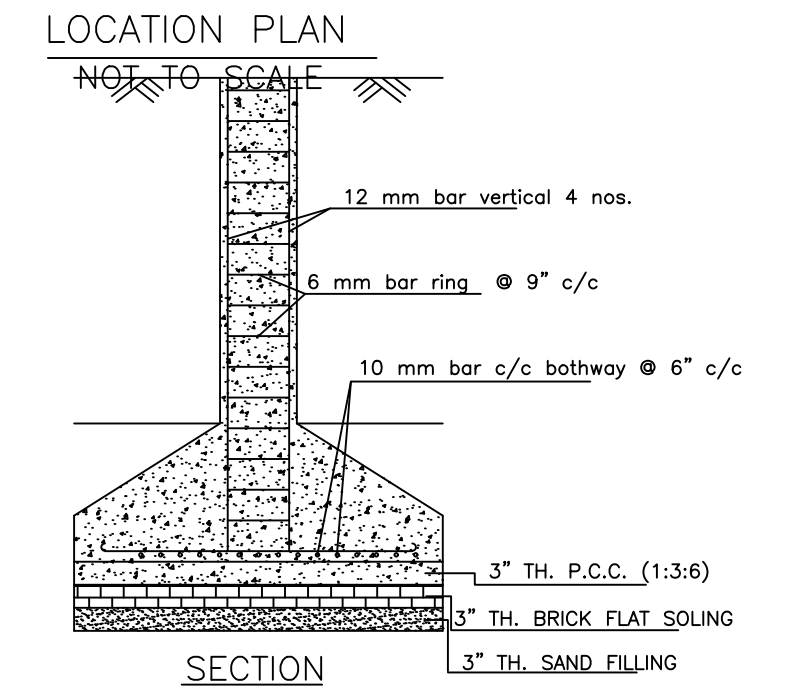
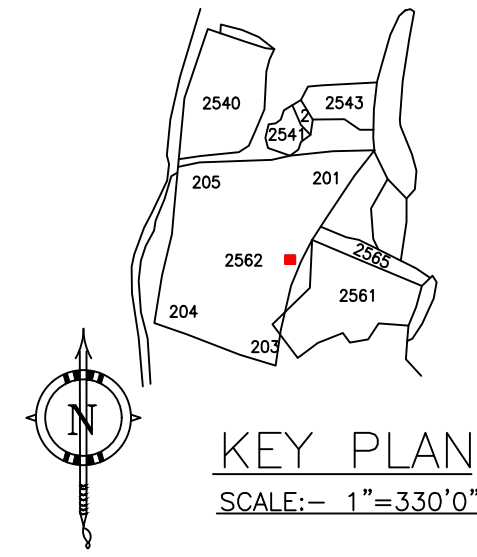
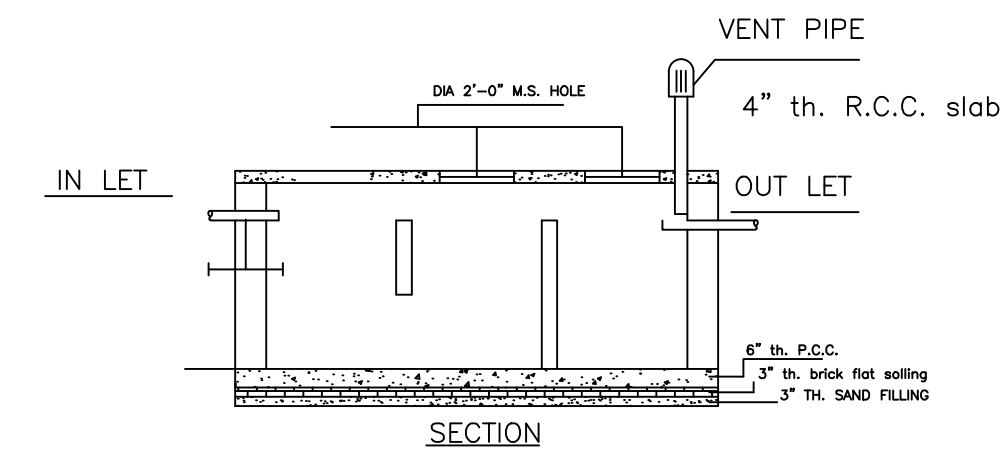
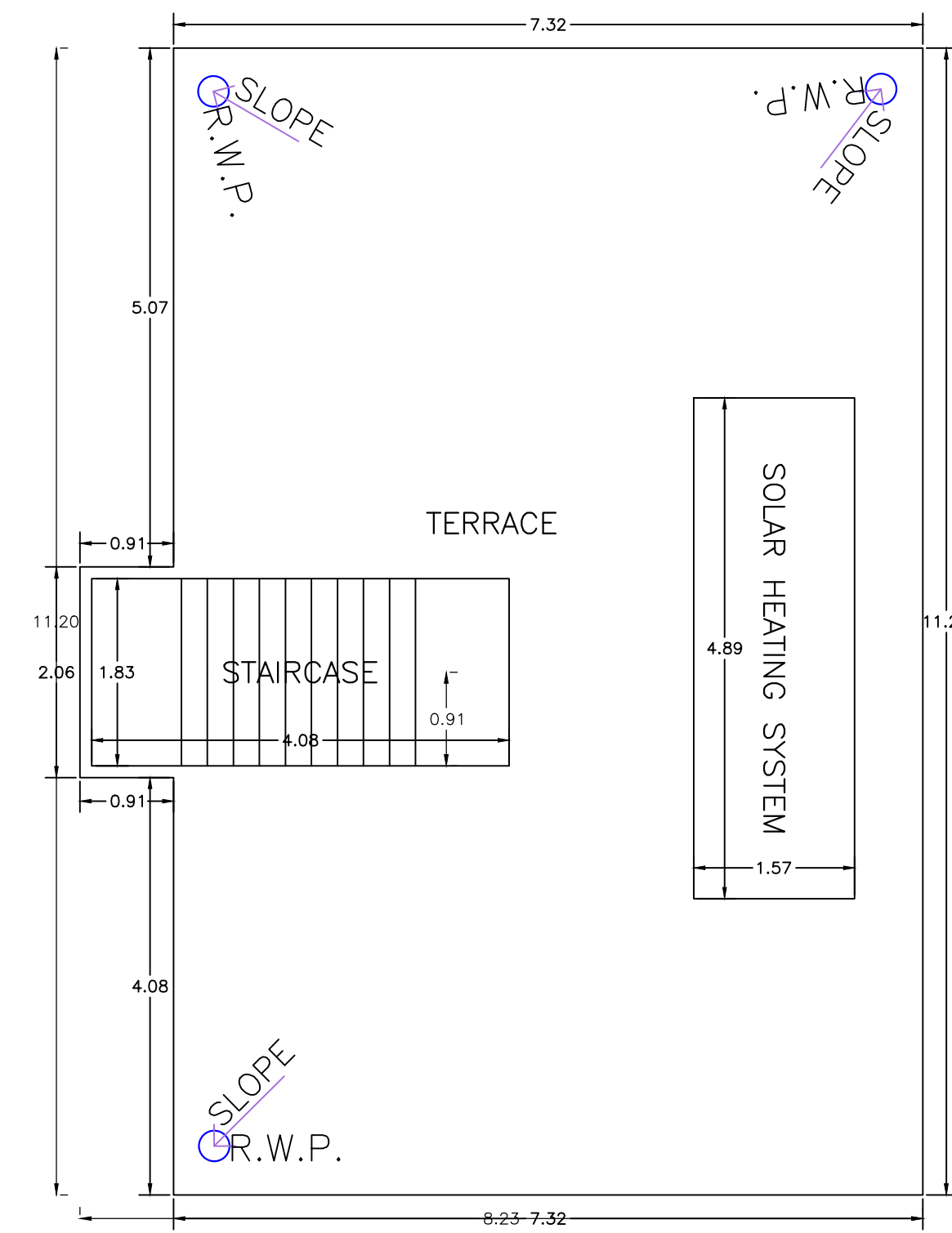
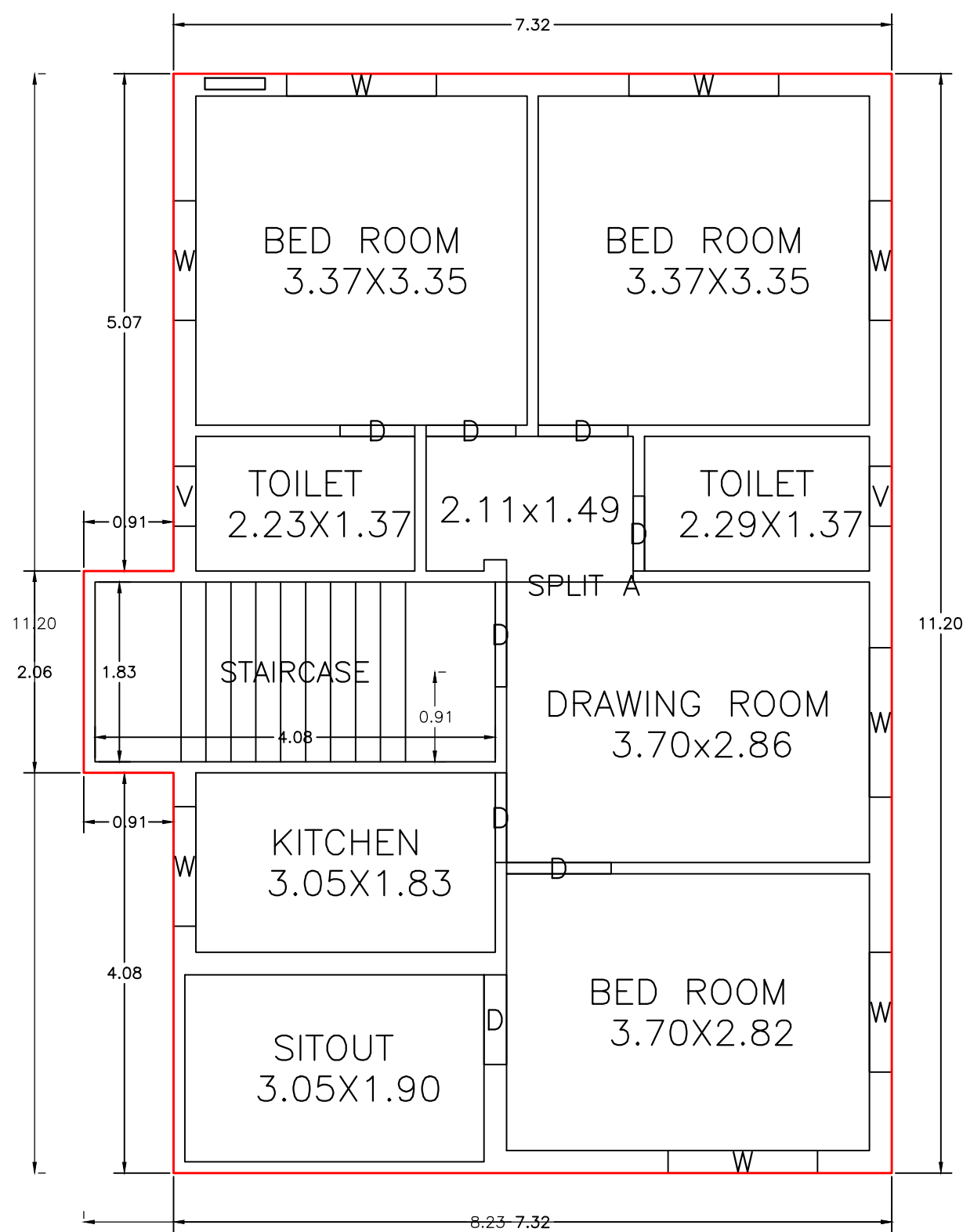
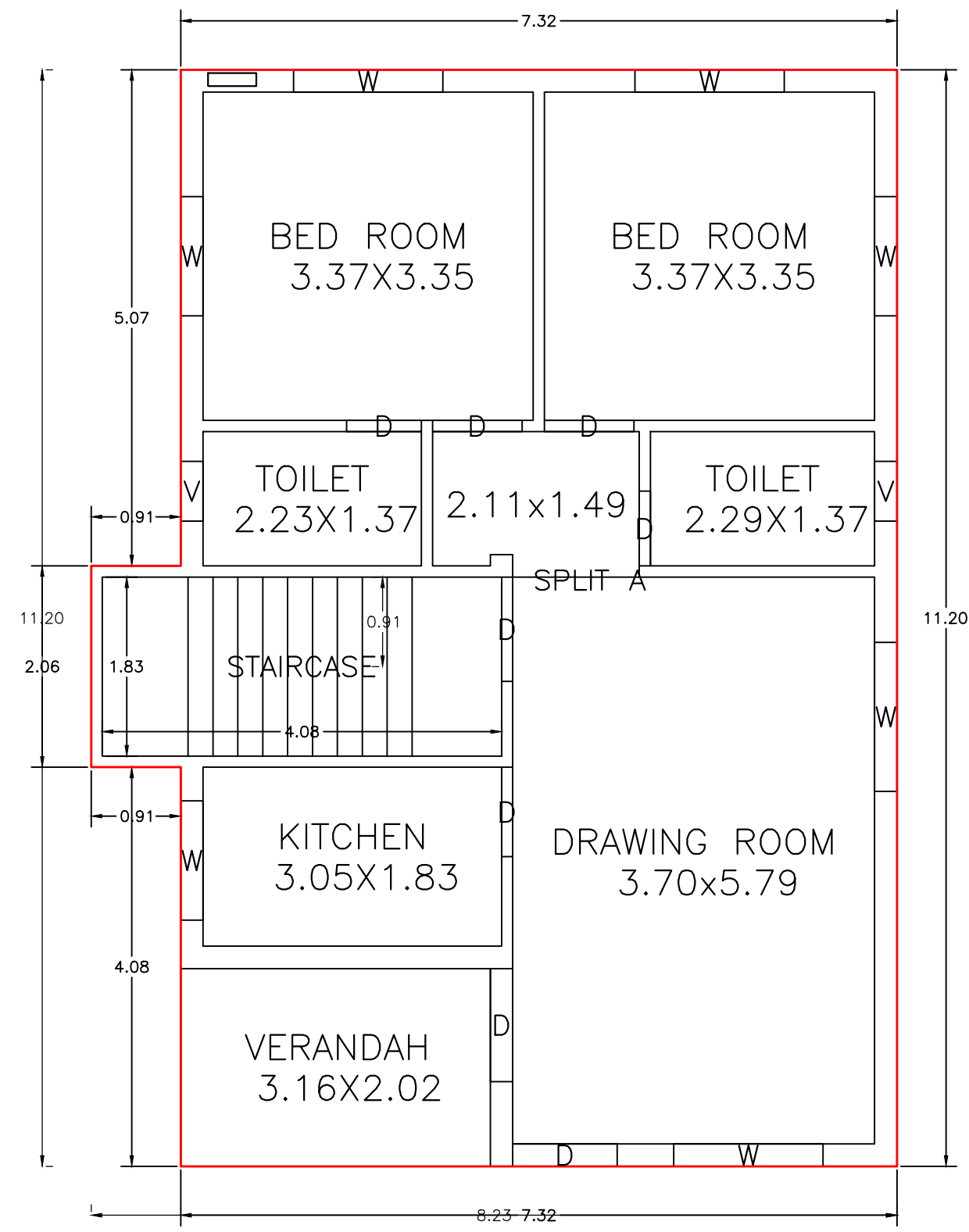
FAR & Tenement Details (Table 4c-1)

Building	No. of Same Bldg	Total Built Up Area (Sq.mt.)	Proposed FAR Area (Sq.mt.) Resi.	Total FAR Area (Sq.mt.)	Total Consumed Additional FAR Area (Sq.mt.)	Tnmt (No.)
A (SURAJ)	1	167.64	167.64	167.64	167.64	01
Grand Total :	1	167.64	167.64	167.64	167.64	01

LTP NAME AND SIGNATURE RAM PRATAP SINGH MADA/ARC/0024/2019	STRUCTURAL ENG'S NAME AND SIGNATURE	BUILDER NAME AND SIGNATURE	DIGITAL SIGNATURE
--	-------------------------------------	----------------------------	-------------------

Proposal Basic Information

Proposal File No.	MADA/BP/0108/2024
Owner Name	SRI. SURAJ KUMAR
Khata No	KHATA NO-134
Plot No	PLOT NO-2562
Village Name	Khamarbendi
Use	Residential
SubUse	Bungalow/ Dwelling / Non Apartment



LTP NAME AND SIGNATURE	STRUCTURAL ENG'S NAME AND SIGNATURE	BUILDER NAME AND SIGNATURE	DIGITAL SIGNATURE
RAM PRATAP SINGH MADA/ARC/0024/2019			