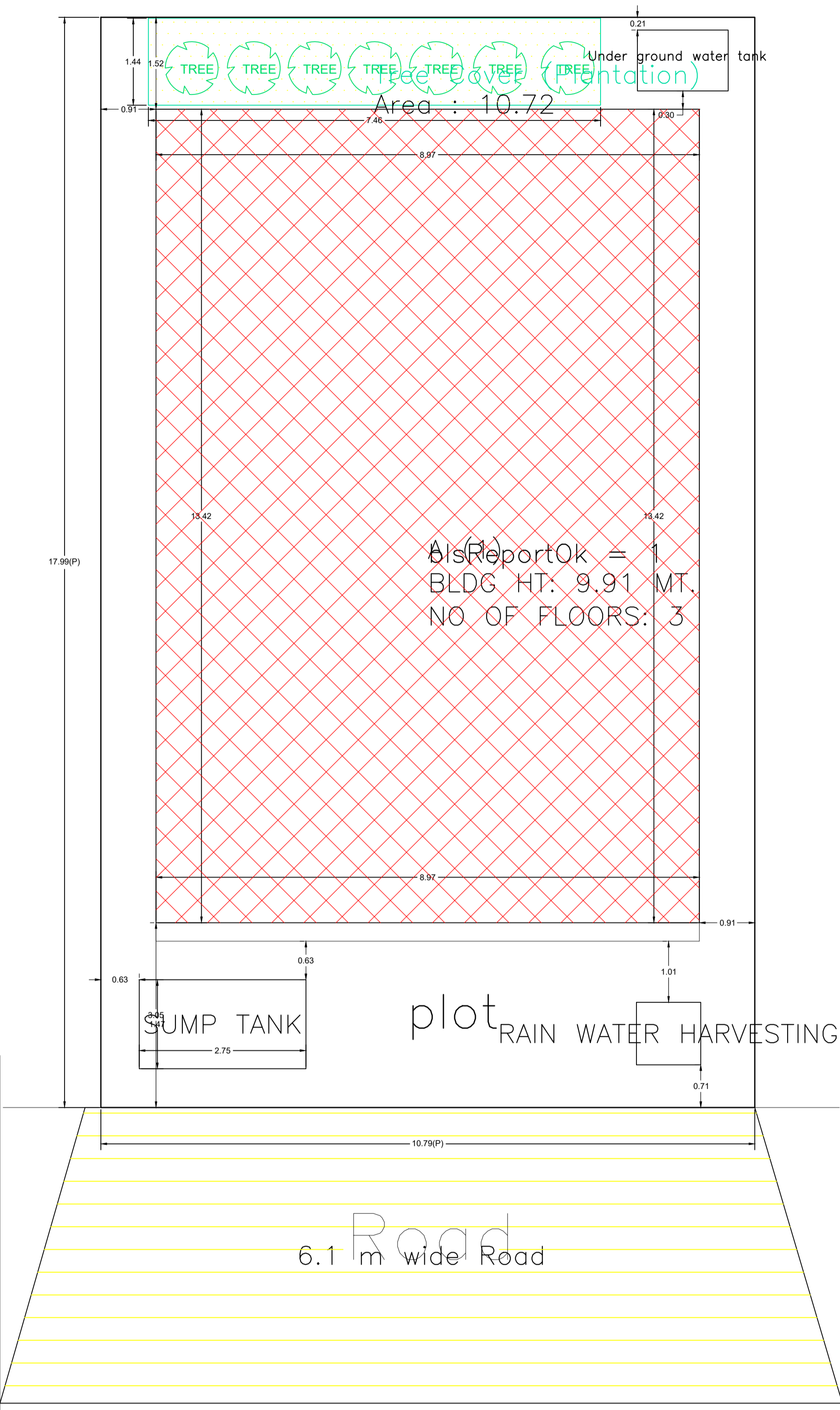
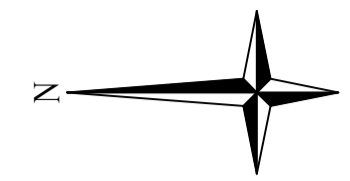
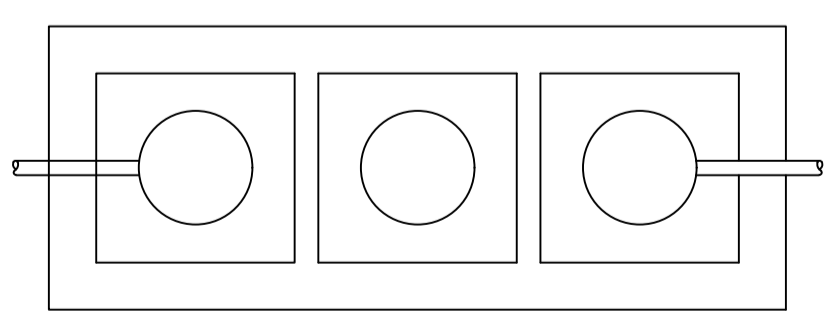
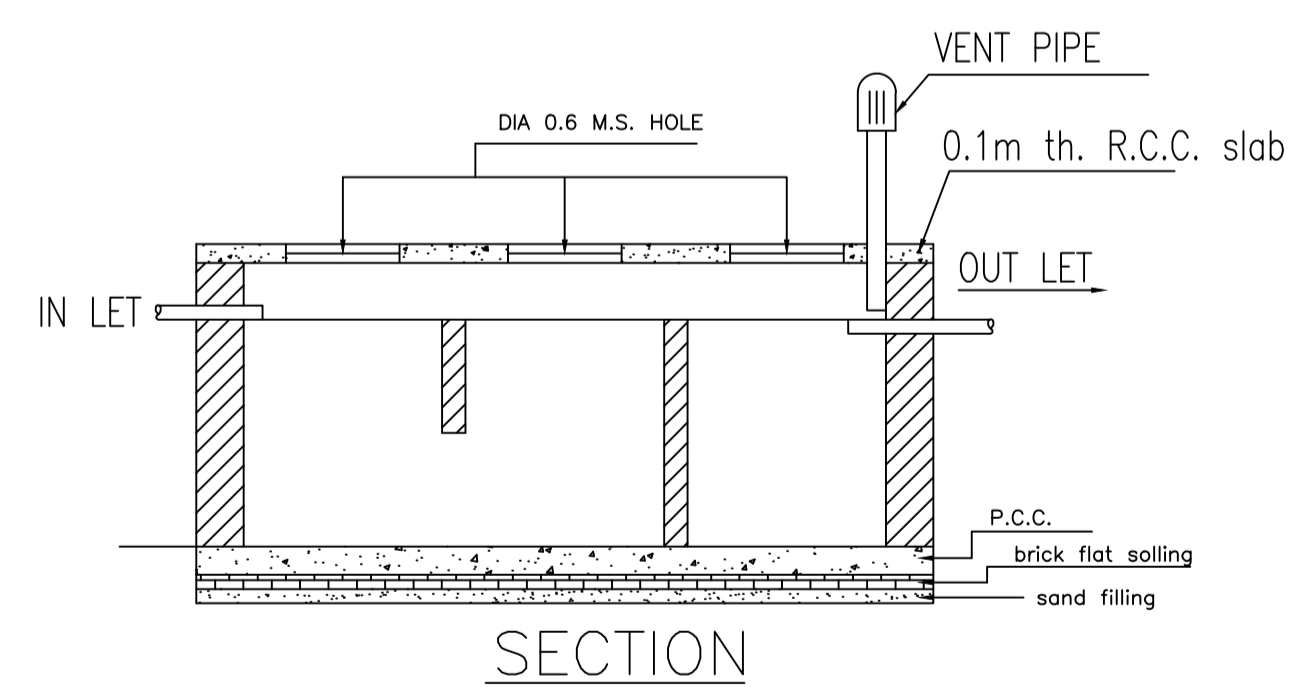
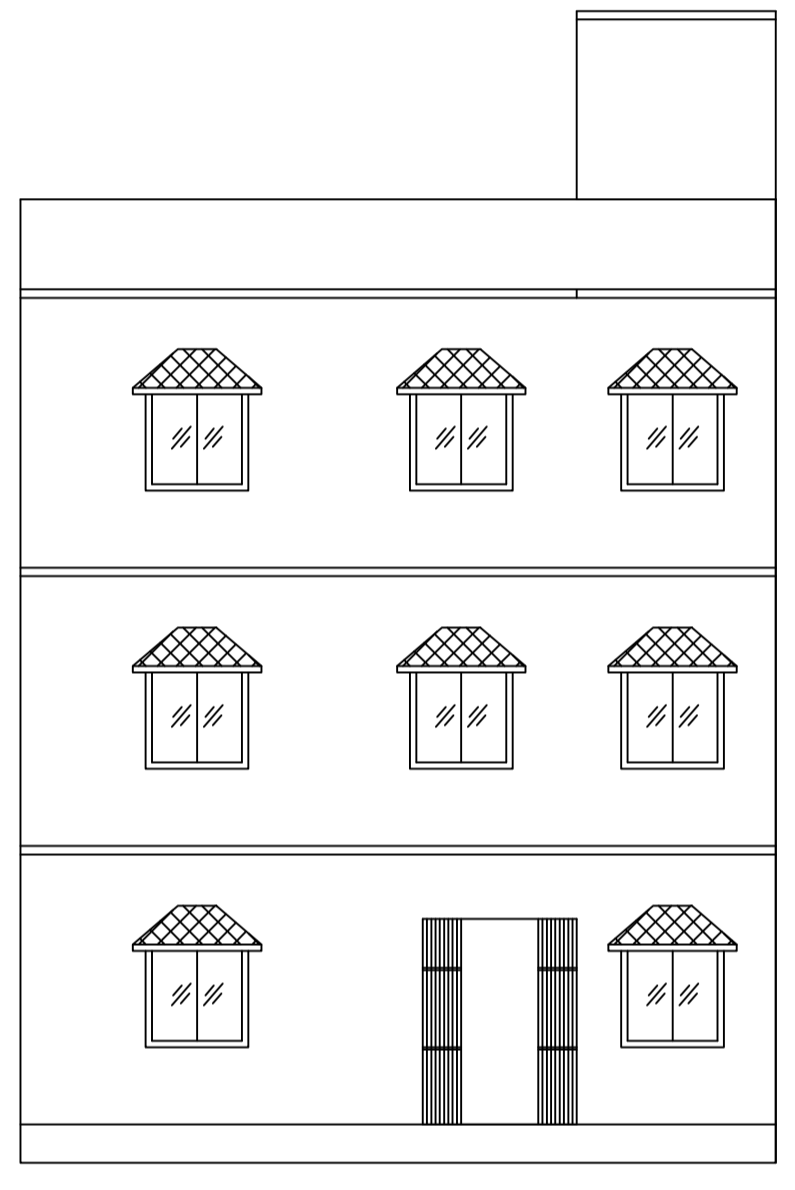
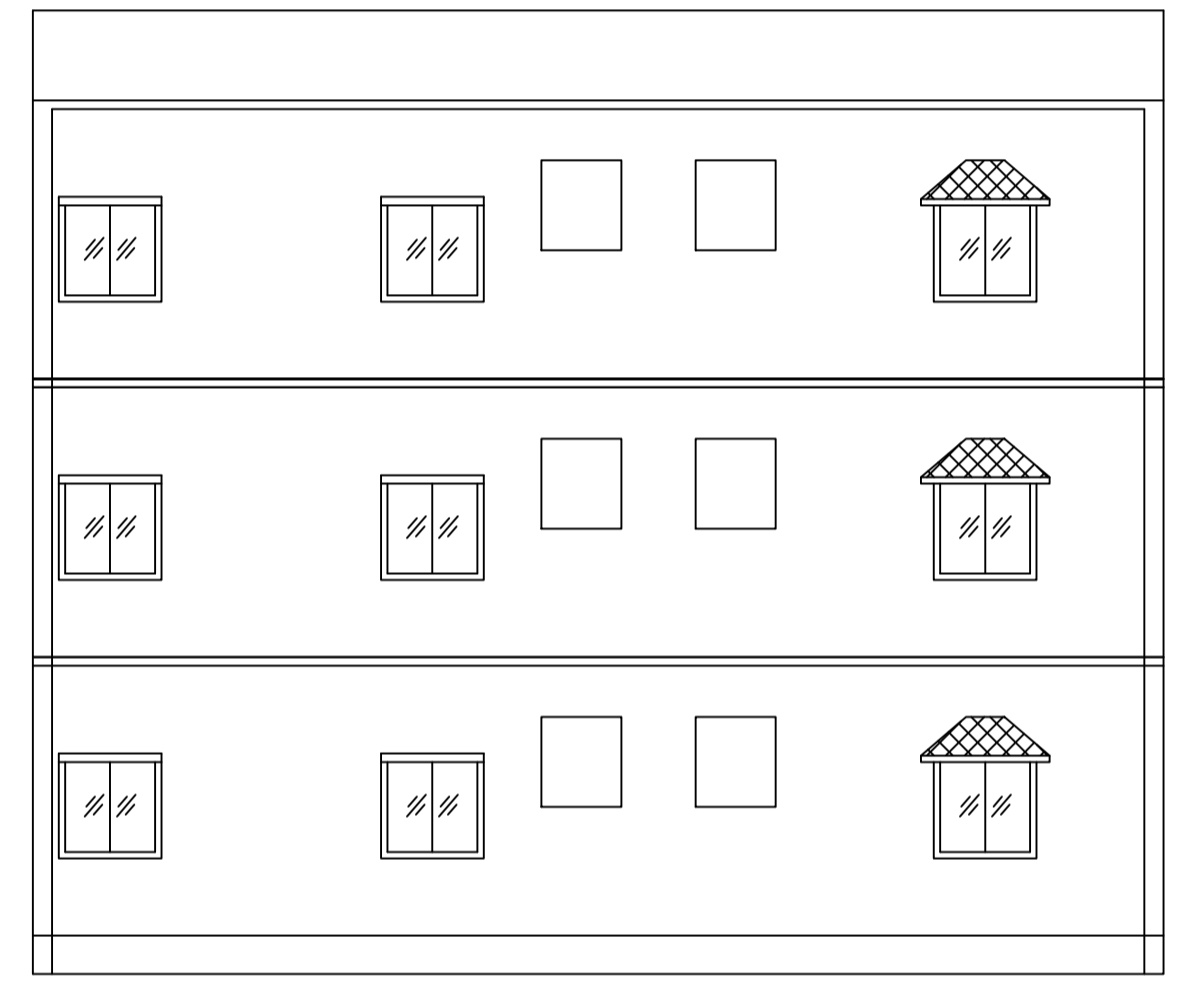
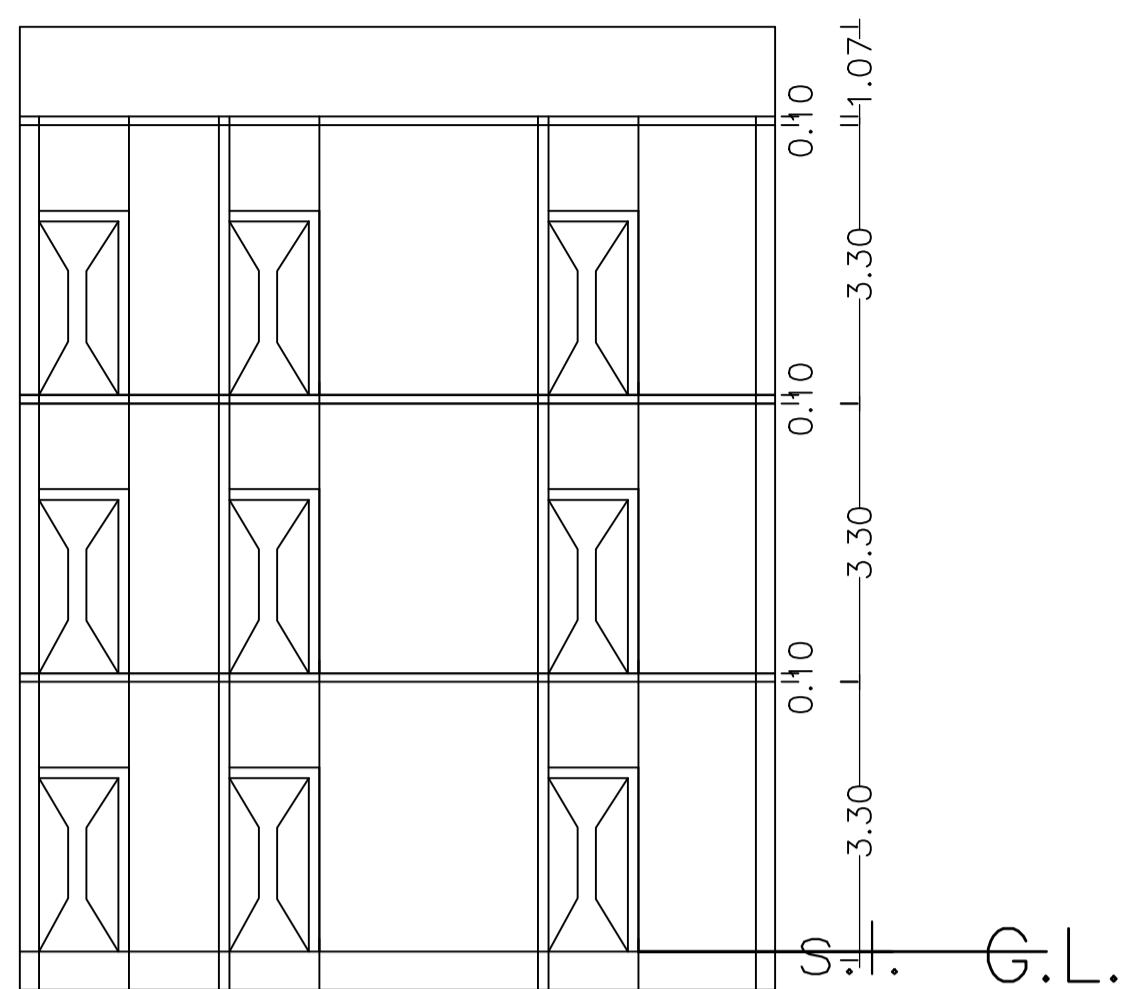
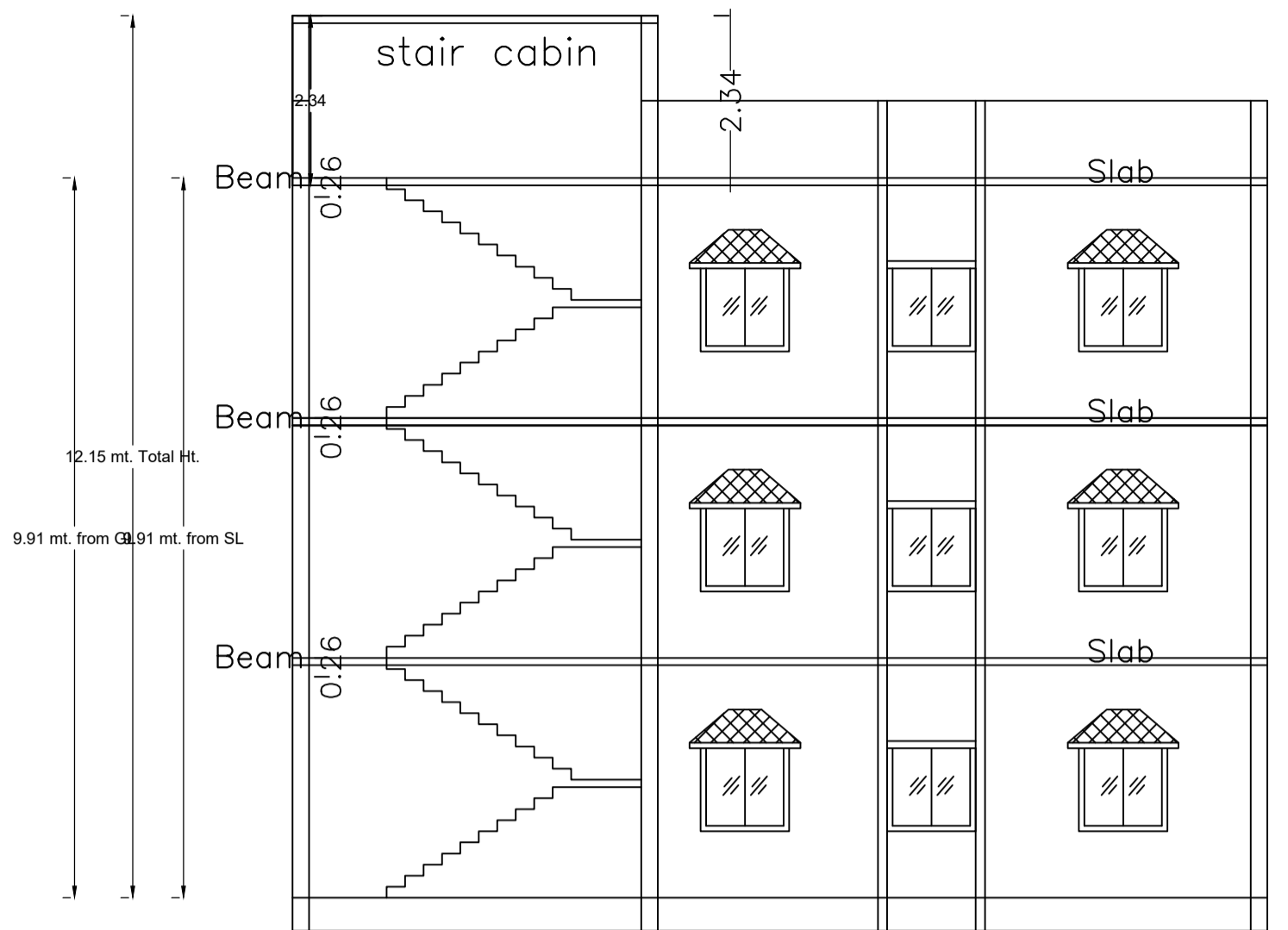


Proposal Basic Information

Proposal File No.	MADA/BP/0124/2024
Owner Name	Sohri Devi
Khata No	17 (New 51, 165)
Plot No	389 (New 424, 424/1591)
Village Name	Jialgora
Use	Residential
SubUse	Bungalow/ Dwelling / Non Apartment



As Report Ok = 1
BLDG HT: 9.91 MT.
NO OF FLOORS: 3



DETAILS OF SEPTIC TANK

UnitBUA Table for Building :A (1)

FLOOR	Name	UnitBUA Type	UnitBUA Area	Carpet Area	No. of Rooms	No. of Tenement
GROUND FLOOR PLAN	SPLIT 1	FLAT	361.13	361.08	8	1
FIRST FLOOR PLAN	SPLIT 1	FLAT	0.00	0.00	8	0
SECOND FLOOR PLAN	SPLIT 1	FLAT	0.00	0.00	8	0
Total:	-	-	361.13	361.08	24	1

SCHEDULE OF DOOR:

BUILDING NAME	NAME	LENGTH	HEIGHT	NOS
A (1)	d2	0.76	2.10	06
A (1)	D1	1.10	2.10	15
A (1)	cg	1.67	2.10	01

SCHEDULE OF WINDOW/VENTILATION:

BUILDING NAME	NAME	LENGTH	HEIGHT	NOS
A (1)	v	1.10	0.80	06
A (1)	w3	1.12	1.20	06
A (1)	w1	1.80	1.20	26

Building :A (1)

Floor Name	Total Built Up Area (Sq.mt.)	Proposed FAR Area (Sq.mt.)	Total FAR Area (Sq.mt.)	Total Consumed Additional FAR Area (Sq.mt.)	Tnmt (No.)
Ground Floor	120.38	120.38	120.38	120.38	01
First Floor	120.38	120.38	120.38	120.38	00
Second Floor	120.38	120.38	120.38	120.38	00
Terrace Floor	0.00	0.00	0.00	0.00	00
Total :	361.14	361.14	361.14	361.14	01
Total Number of Same Buildings :	1				
Total :	361.14	361.14	361.14	361.14	01

COLOR INDEX

PLOT BOUNDARY	Black
ABUTTING ROAD	Green
PROPOSED CONSTRUCTION	Red
COMMON PLOT	Yellow
ROAD WIDENING AREA	Orange
EXISTING (To be retained)	Blue
EXISTING (To be demolished)	Light Blue

Buildingwise Floor FAR Details

Floor Name	Building Name A (1)		Total	
	Proposed Built Up Area (Sq.mt.)	Proposed FAR Area (Sq.mt.)	Total Proposed Built Up Area (Sq.mt.)	Total FAR Area (Sq.mt.)
Ground Floor	120.38	120.38	120.38	120.38
First Floor	120.38	120.38	120.38	120.38
Second Floor	120.38	120.38	120.38	120.38
Terrace Floor	0.00	0.00	0.00	0.00
Total :	361.14	361.14	361.14	361.14

Building USE/SUBUSE Details

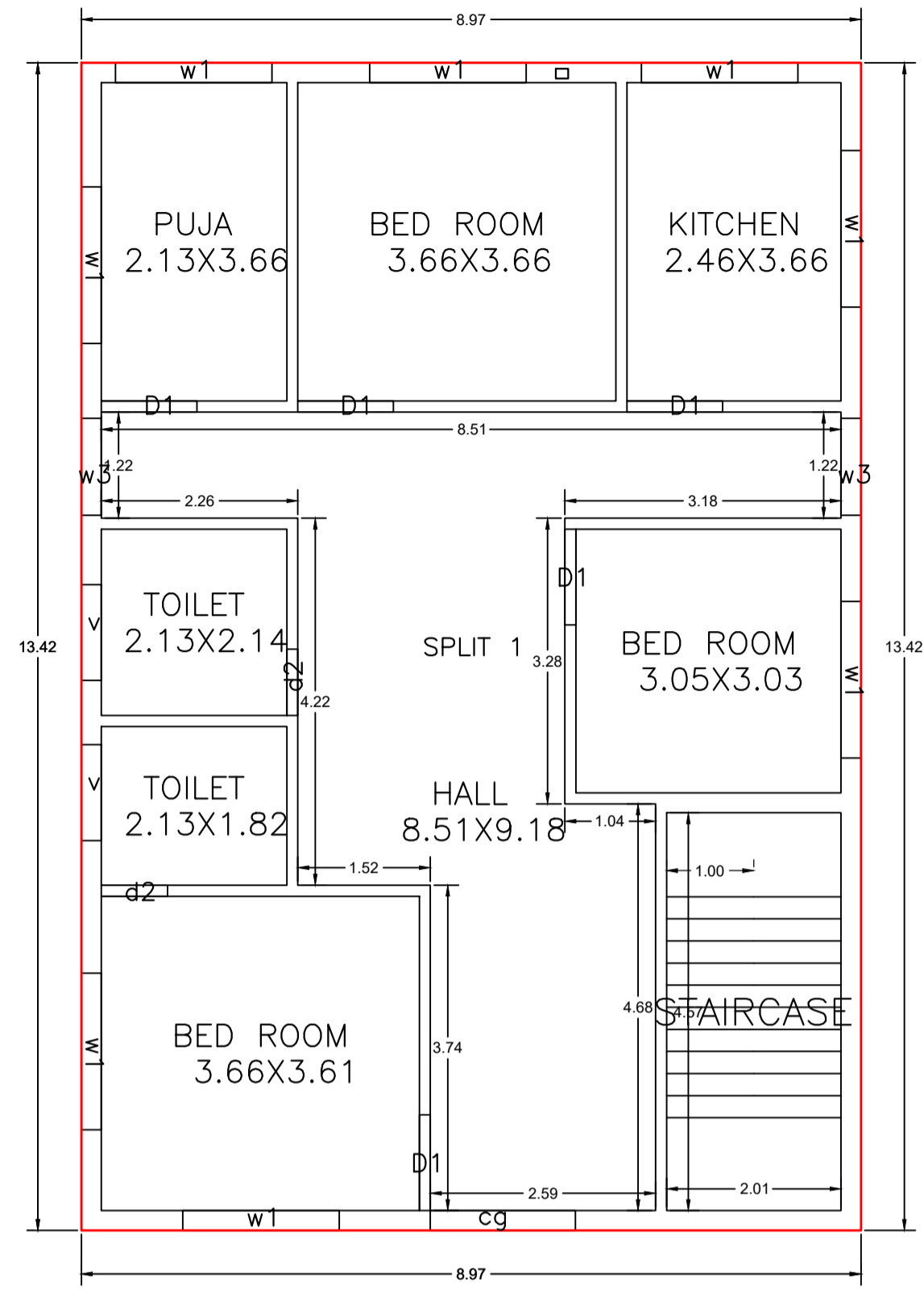
Building Name	Building Use	Building SubUse	Building Structure
A (1)	Residential	Bungalow/ Dwelling / Non Apartment	Non-Highrise

FAR & Tenement Details (Table 4c-1)

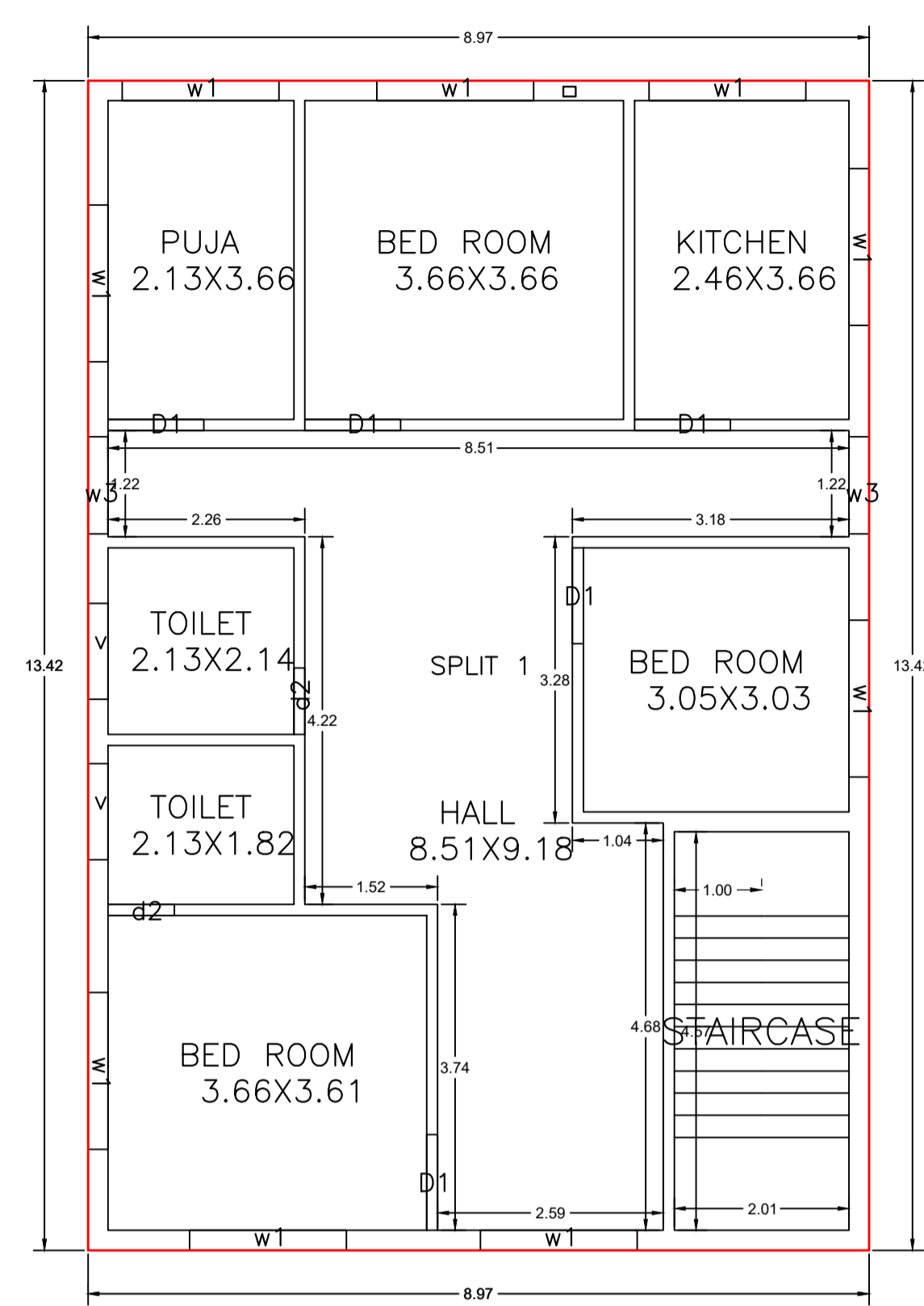
Building	No. of Same Bldg	Total Built Up Area (Sq.mt.)	Proposed FAR Area (Sq.mt.)	Total FAR Area (Sq.mt.)	Total Consumed Additional FAR Area (Sq.mt.)	Tnmt (No.)
A (1)	1	361.14	361.14	361.14	361.14	01
Grand Total :	1	361.14	361.14	361.14	361.14	01

LTP NAME AND SIGNATURE	STRUCTURAL ENG'S NAME AND SIGNATURE	BUILDER NAME AND SIGNATURE	DIGITAL SIGNATURE
NISHANT KUMAR MADA/ENG/0011/2019			

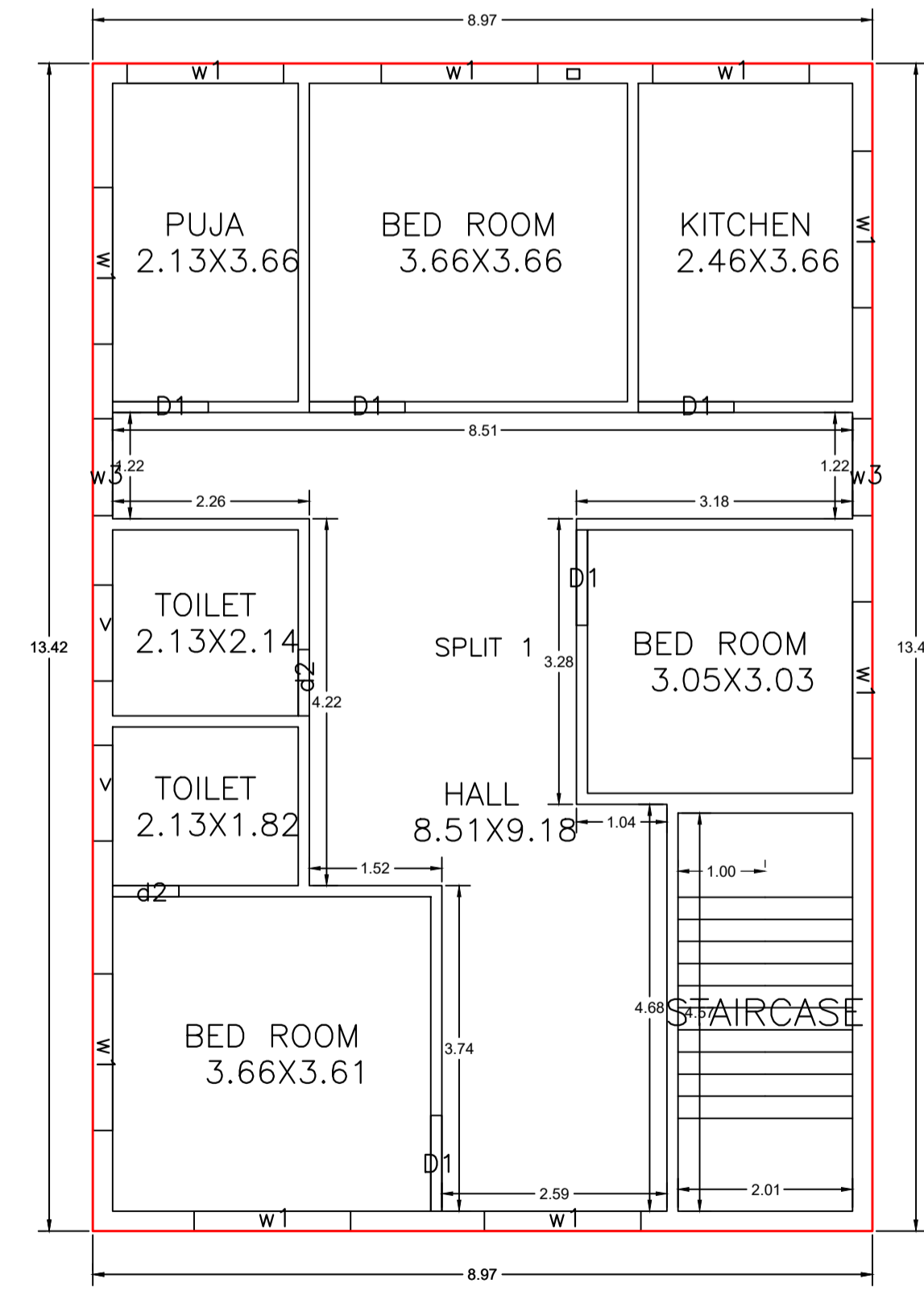
Proposal Basic Information	
Proposal File No.	MADA/BP/0124/2024
Owner Name	Sohri Devi
Khata No	17 (New 51, 165)
Plot No	389 (New 424, 424/1591)
Village Name	Jialgora
Use	Residential
SubUse	Bungalow/ Dwelling / Non Apartment



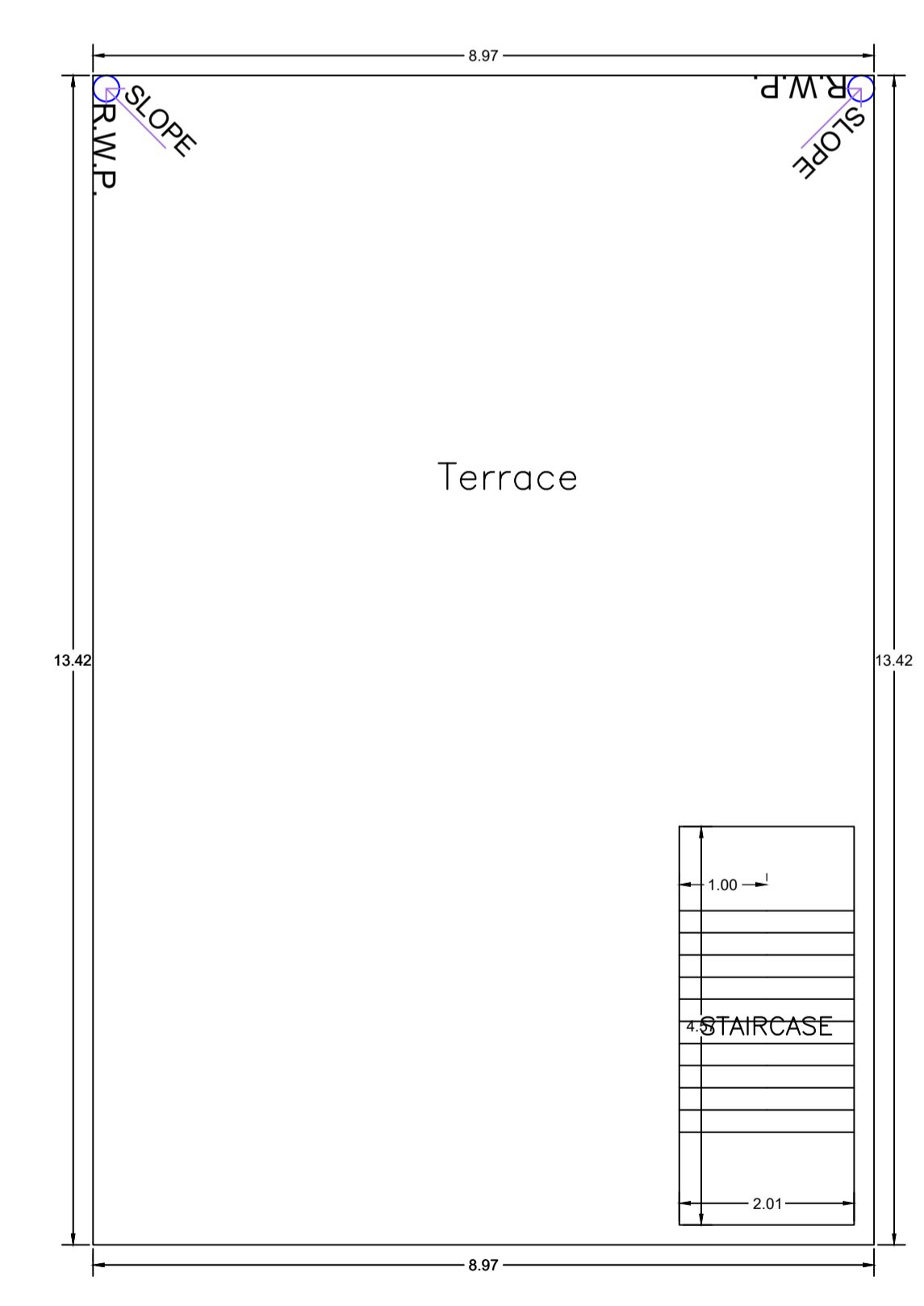
GROUND FLOOR PLAN
(Proposed)
(SCALE 1:100)



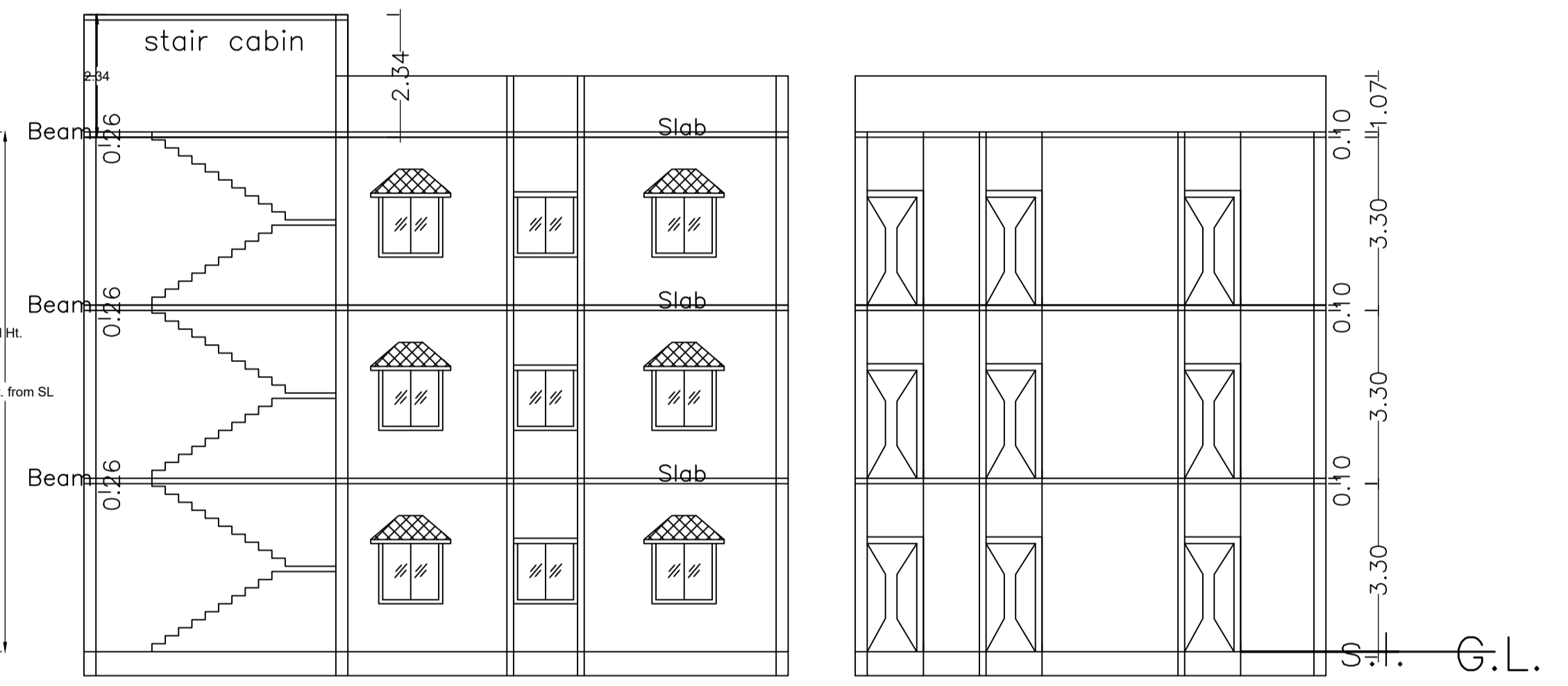
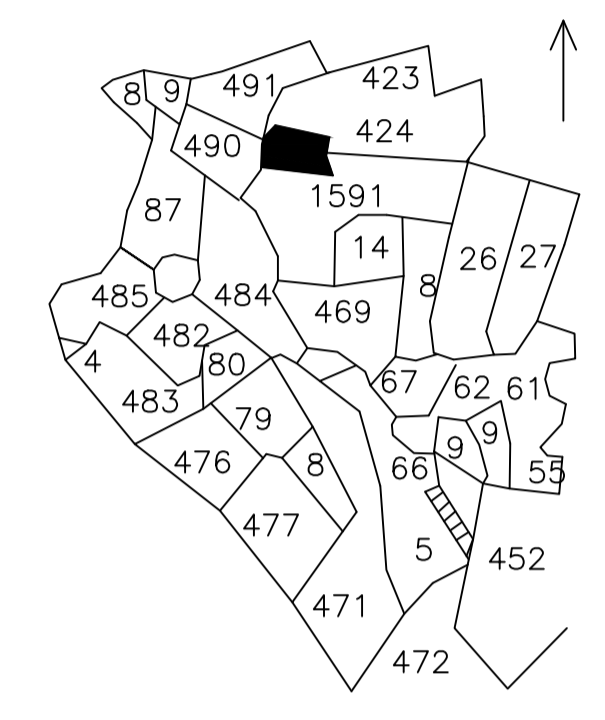
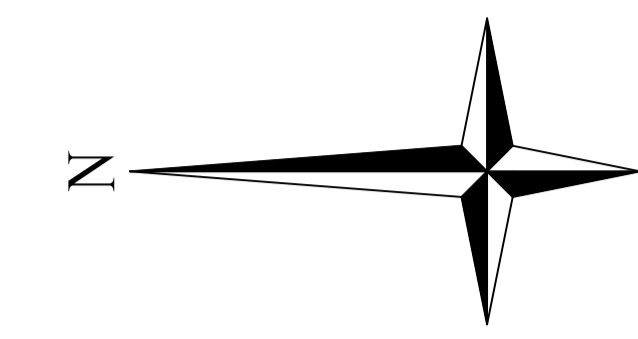
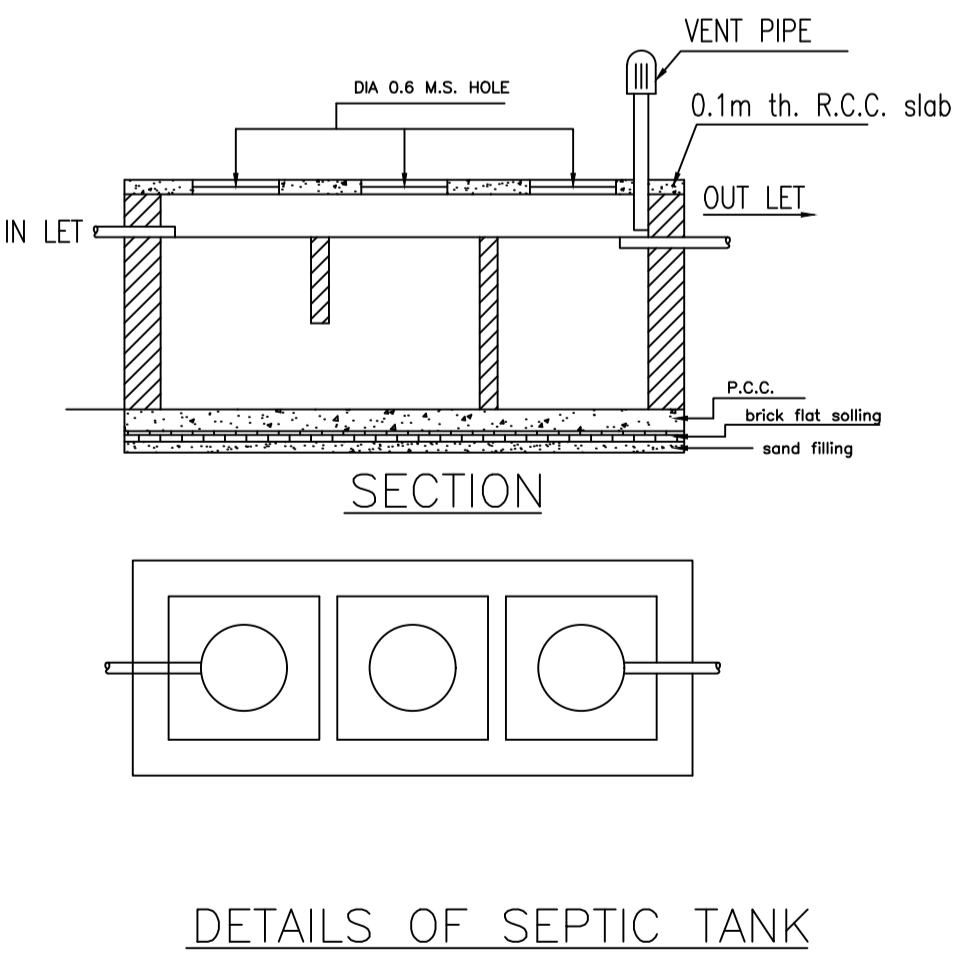
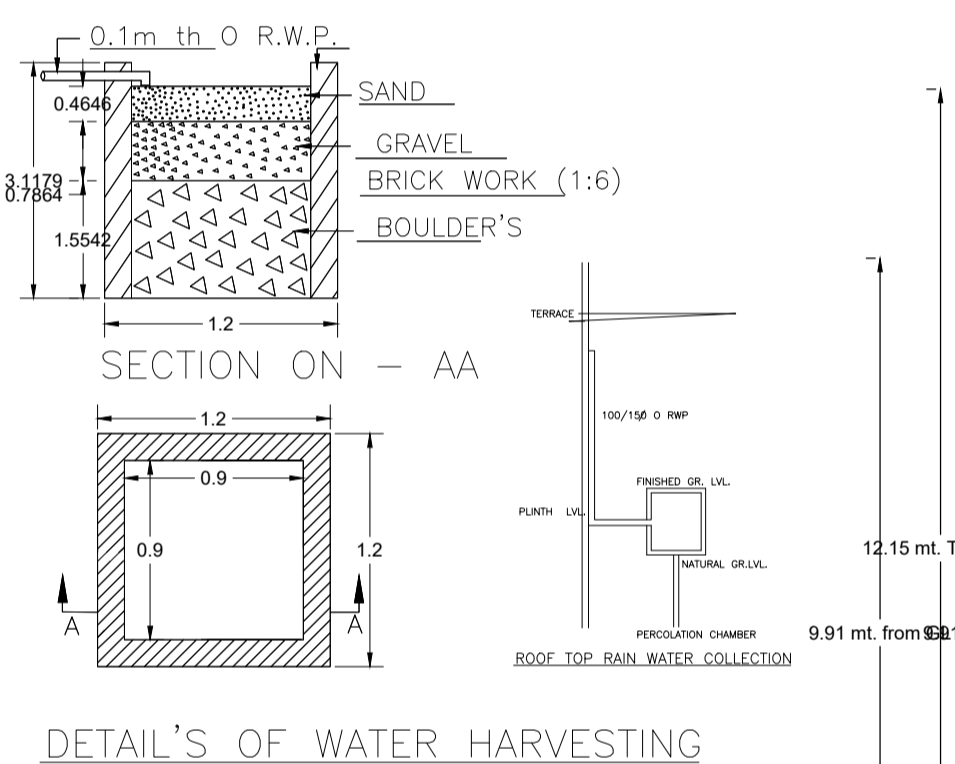
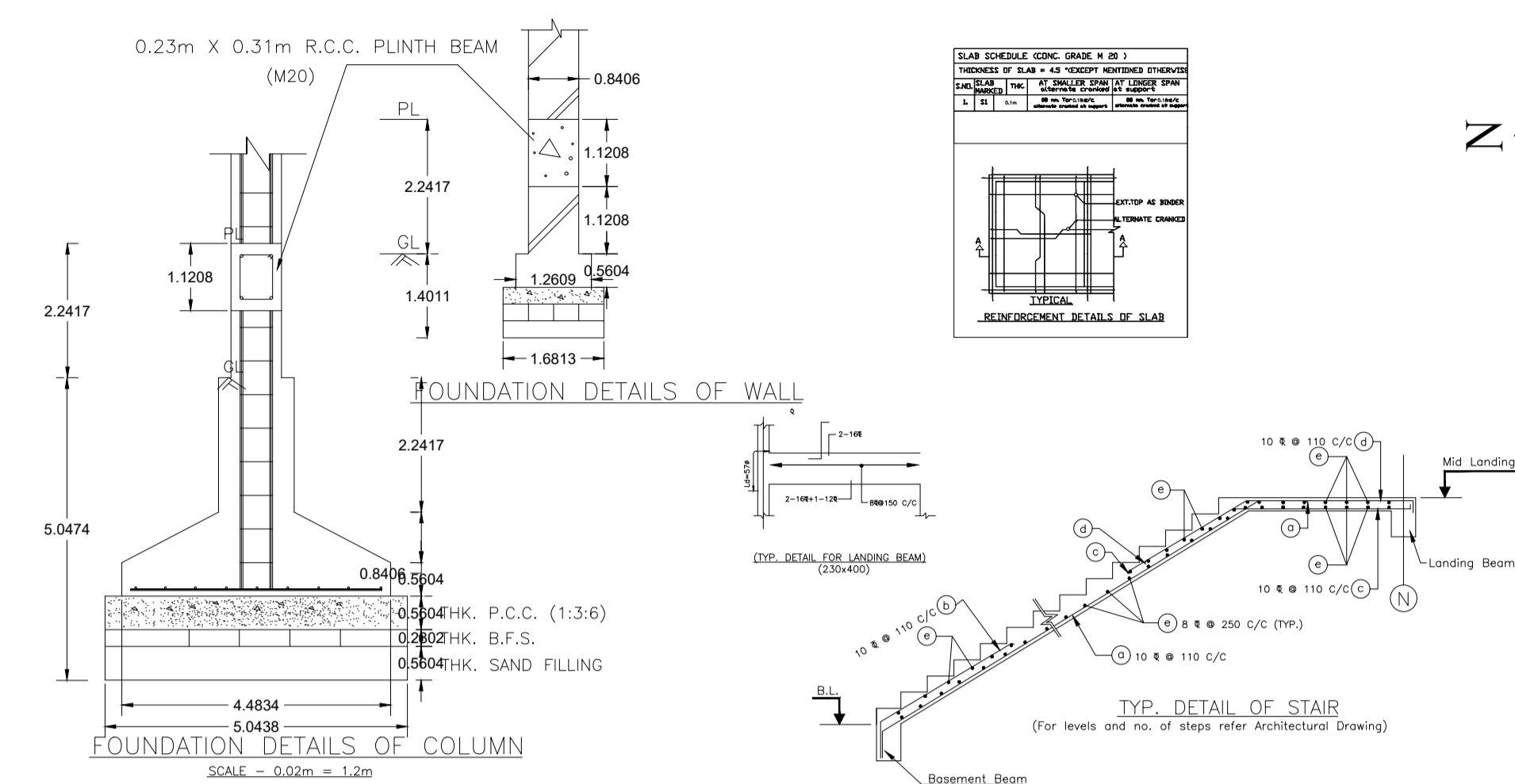
FIRST FLOOR PLAN
(Proposed)
(SCALE 1:100)



SECOND FLOOR PLAN
(Proposed)
(SCALE 1:100)



TERRACE FLOOR PLAN
(SCALE 1:100)



LTP NAME AND SIGNATURE	STRUCTURAL ENG'S NAME AND SIGNATURE	BUILDER NAME AND SIGNATURE	DIGITAL SIGNATURE
NISHANT KUMAR MADA/ENG/0011/2019			