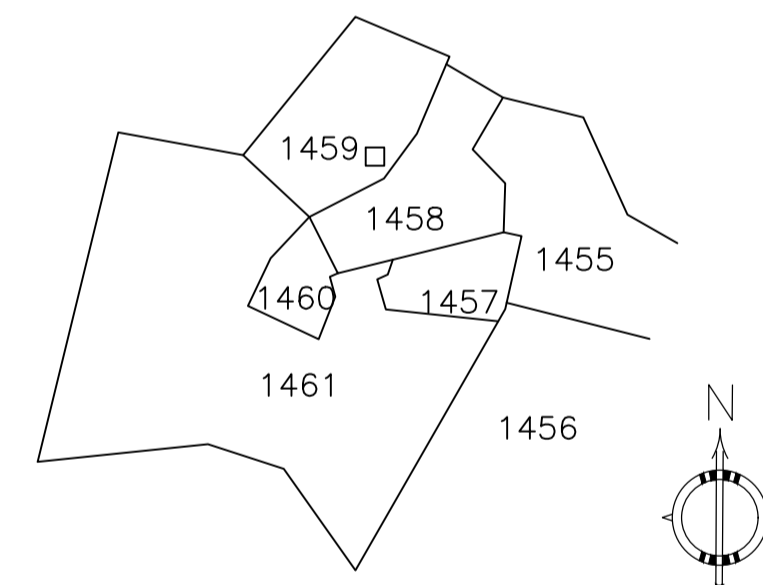
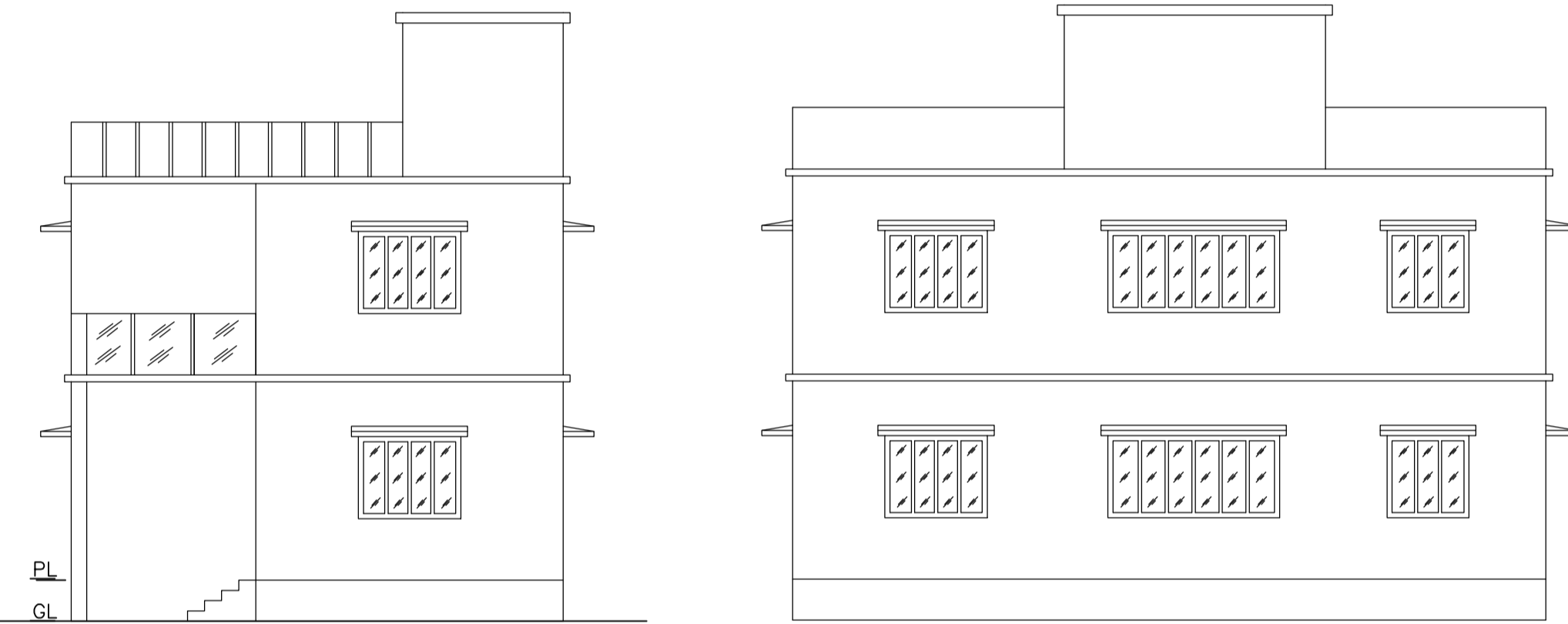
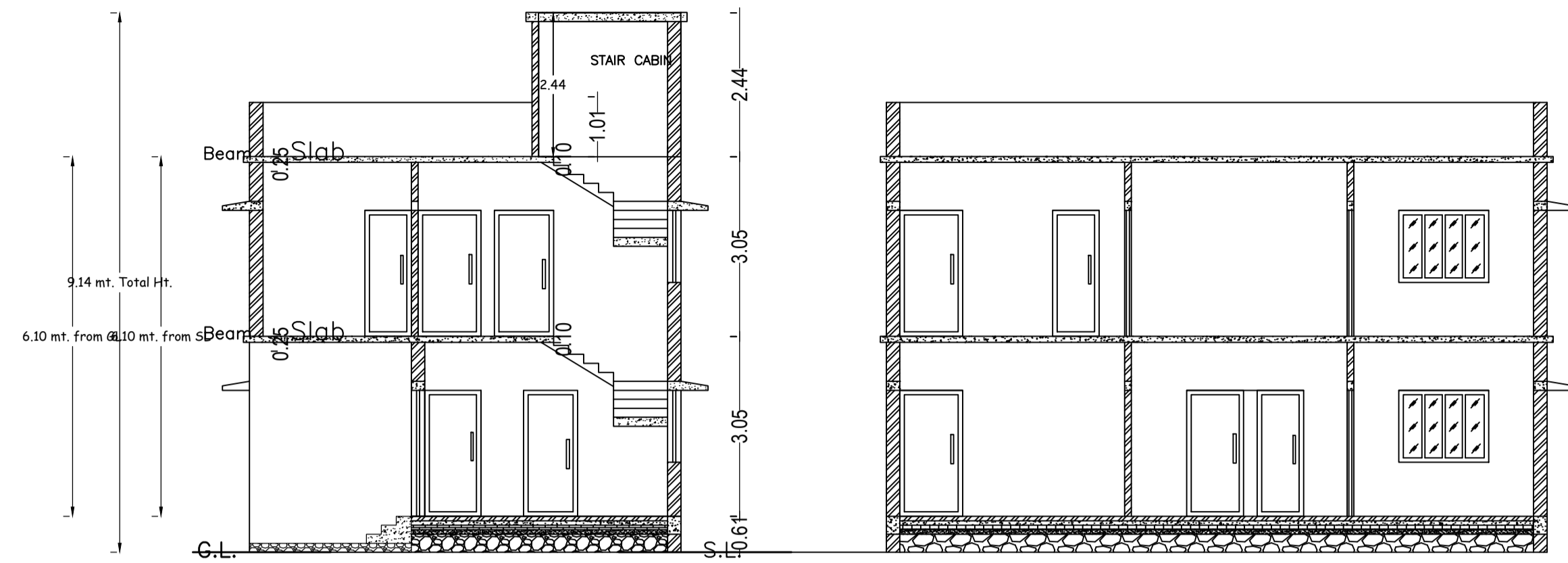
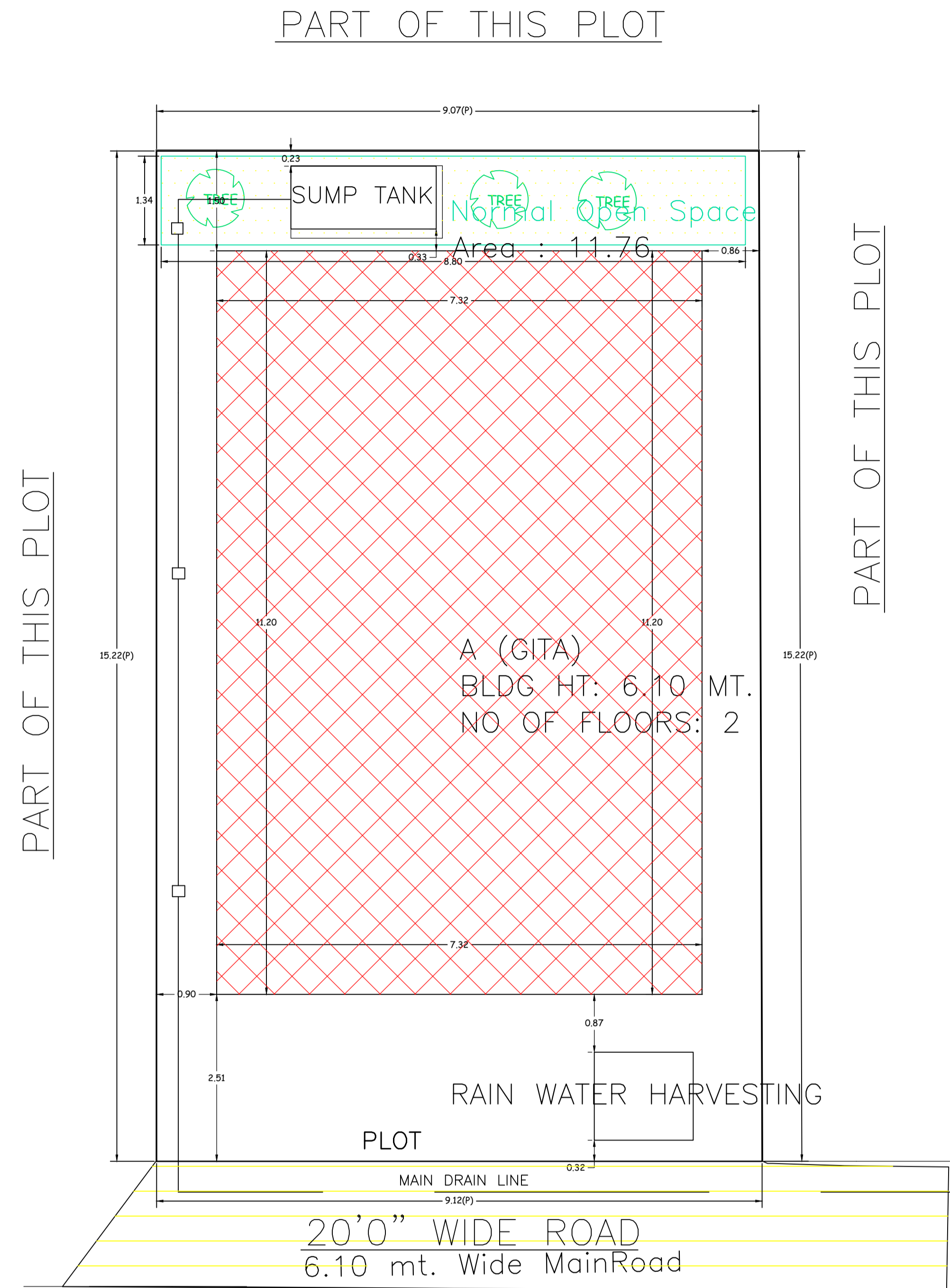


Proposal Basic Information	
Proposal File No.	MADA/BP/0176/2024
Owner Name	SMT. GITA DEVI
Khata No	OLD KHATA NO-34, NEW KHATA NO-5
Plot No	OLD PLOT NO-522, NEW PLOT NO-1459
Village Name	Jalgora
Use	Residential
SubUse	Bungalow/ Dwelling / Non Apartment



UnitBUA Table for Building :A (GITA)

FLOOR	Name	UnitBUA Type	UnitBUA Area	Carpet Area	No. of Rooms	No. of Tenement
GROUND FLOOR PLAN	SPLIT 1	FLAT	163.88	163.22	6	1
FIRST FLOOR PLAN	SPLIT 1	FLAT	0.00	0.00	7	0
Total:	-	-	163.88	163.22	13	1

SCHEDULE OF DOOR:

BUILDING NAME	NAME	LENGTH	HEIGHT	NOS
A (GITA)	D	0.76	2.10	02
A (GITA)	D	0.79	2.10	01
A (GITA)	D	0.91	2.10	01
A (GITA)	D	0.93	2.10	01
A (GITA)	D	0.97	2.10	01
A (GITA)	D	1.00	2.10	01
A (GITA)	D	1.07	2.10	04
A (GITA)	D	1.52	2.10	01

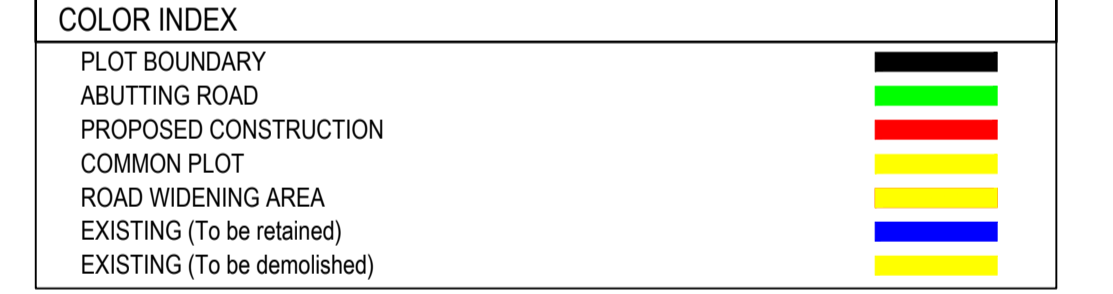
SCHEDULE OF WINDOW/VENTILATION:

BUILDING NAME	NAME	LENGTH	HEIGHT	NOS
A (GITA)	W	0.84	1.20	03
A (GITA)	W	1.22	1.20	01
A (GITA)	W	1.52	1.20	10
A (GITA)	W	2.55	1.20	02

Building :A (GITA)

Floor Name	Total Built Up Area (Sq.mt.)	Proposed FAR Area (Sq.mt.)	Total FAR Area (Sq.mt.)	Total Consumed Additional FAR Area (Sq.mt.)	Tnmt (No.)
Ground Floor	81.94	81.94	81.94	81.94	01
First Floor	81.94	81.94	81.94	81.94	00
Terrace Floor	0.00	0.00	0.00	0.00	00
Total :	163.88	163.88	163.88	163.88	01
Total Number of Same Buildings :	1				
Total :	163.88	163.88	163.88	163.88	01

AREA STATEMENT MINERAL AREA DEVELOPMENT AUTHORITY		VERSION NO. : 1.0.70
PROJECT DETAIL:		VERSION DATE: 16/10/2020
Region: JHARKHAND URBAN LOCAL BODIES	Plot Use: Residential	
District: DHANBAD	Plot SubUse: Bungalow/ Dwelling / Non Apartment	
Authority: MINERAL AREA DEVELOPMENT AUTHORITY	Plot/Nearby/Religious/Structure: NA	
Inward No: MADA/BP/0176/2024	Plot/SubPlot No: OLD PLOT NO-522, NEW PLOT NO-1459	
Application Type: General Proposal	North: Plot No. - SAME PLOT	
Project Type: Building Permission	South: Plot No. - SAME PLOT	
Nature of Development: New	East: Plot No. - SAME PLOT	
Location of Development Area: Old Area	West: Road Width - 6.10	
AREA DETAILS:		
AREA OF PLOT (Minimum)	(A)	SQ.MT. 138.49
NET AREA OF PLOT(Gross Plot Area - Deduction from Gross Plot area)	(A-Deductions)	138.49
Deduction for Balance Plot Area(from Gross Plot Area)		
Common Plot		11.76
Total		11.76
BALANCE AREA OF PLOT(Net Plot Area - Recreational/Amenity space)	(A-Deductions)	126.73
PLOT AREA FOR COVERAGE(Net Plot Area)	(A-Deductions)	138.49
Plot Area for FAR (Net Plot Area + Road/Widening Area)	(A-Deductions)	138.49
COVERAGE CHECK		
Permissible Coverage area (70.00 %)		96.94
Proposed Coverage Area (59.17 %)		81.94
Total Prop. Coverage Area (59.17 %)		81.94
Balance coverage area (10.83 %)		15.00
FAR CHECK		
Perm. FAR Area (2.500)		346.23
Total Perm. FAR area		346.23
Residential FAR		163.88
Proposed FAR Area		163.88
Total Proposed FAR Area		163.88
Consumed FAR (Factor)		1.18
Balance FAR Area		182.35
BUILT UP AREA CHECK		
Total Proposed BuiltUp Area		163.88
ARCHITECT (Regd)		RAM PRATAP SINGH
ENGINEER (Regd)		
SUPERVISOR (Regd)		
OWNER (Regd)		SMT. GITA DEVI
DEVELOPMENT AUTHORITY		LOCAL BODY



Buildingwise Floor FAR Details

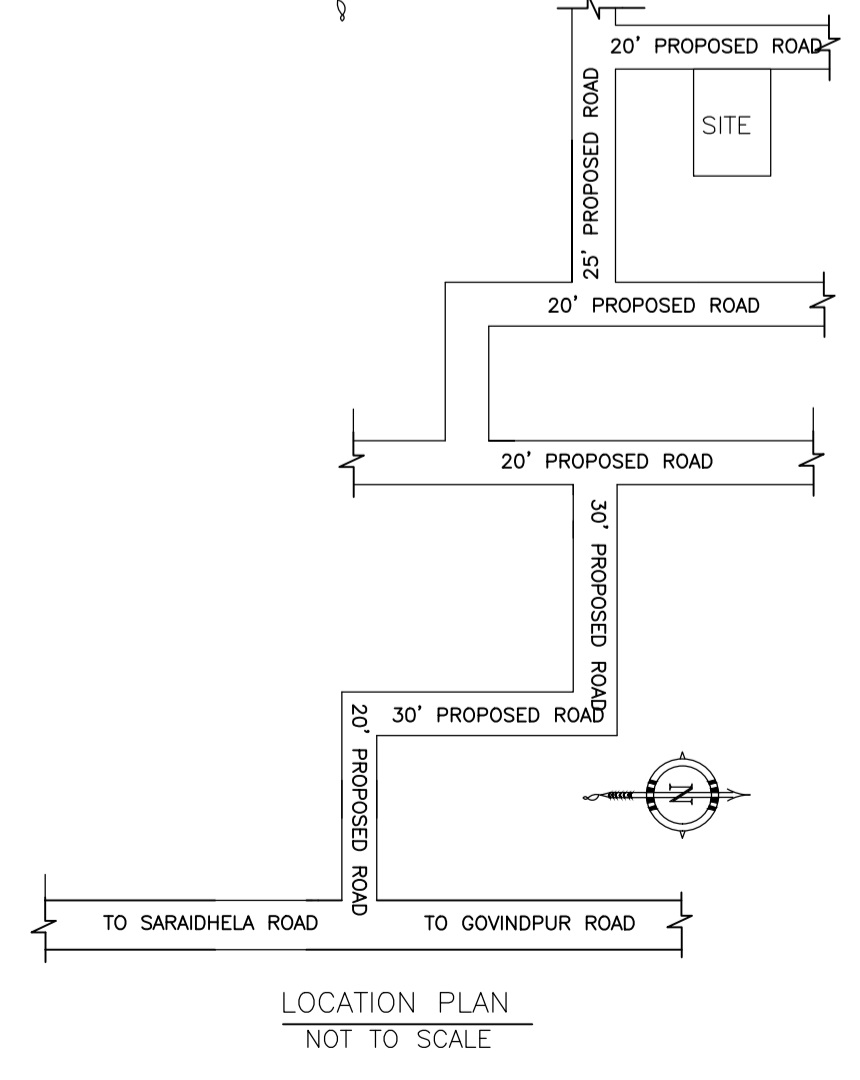
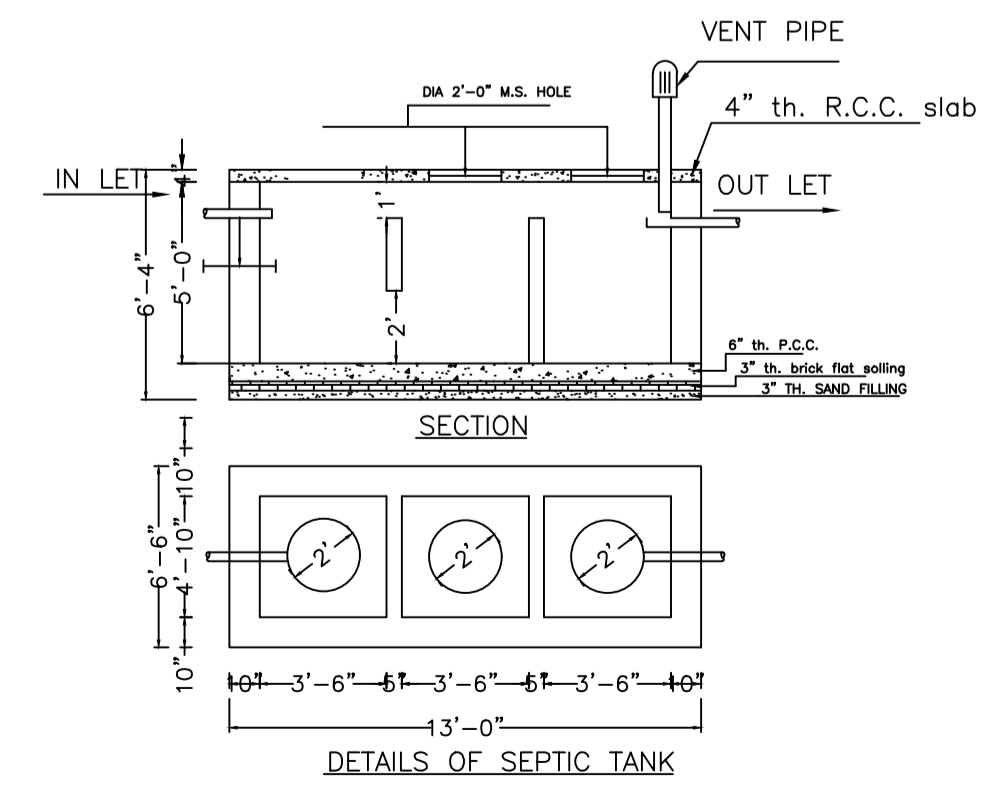
Floor Name	Building Name		Total	
	Proposed Built Up Area (Sq.mt.)	Proposed FAR Area (Sq.mt.)	Total Proposed Built Up Area (Sq.mt.)	Total FAR Area (Sq.mt.)
Ground Floor	81.94	81.94	81.94	81.94
First Floor	81.94	81.94	81.94	81.94
Terrace Floor	0.00	0.00	0.00	0.00
Total :	163.88	163.88	163.88	163.88

Building USE/SUBUSE Details

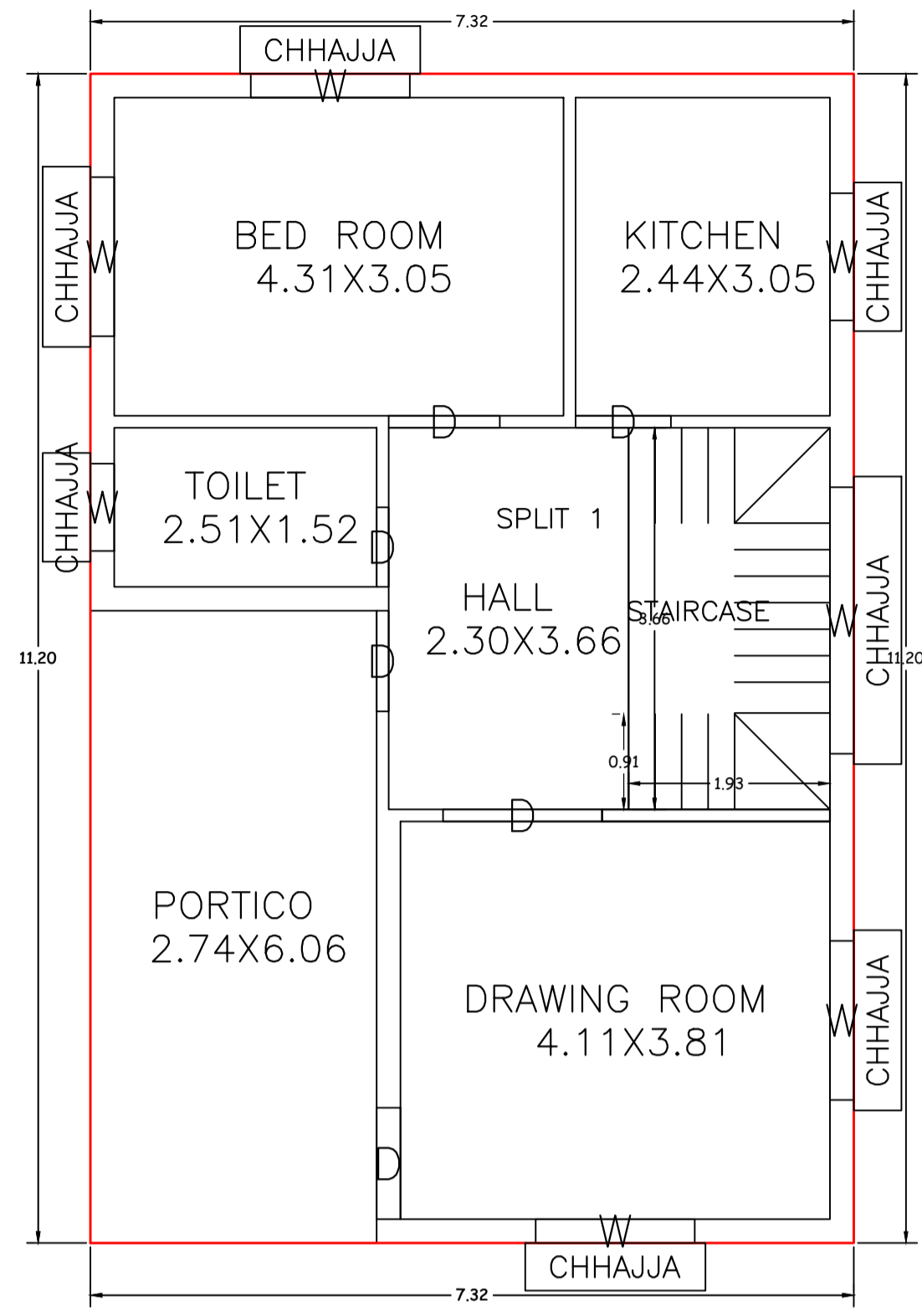
Building Name	Building Use	Building SubUse	Building Structure
A (GITA)	Residential	Bungalow/ Dwelling / Non Apartment	Non-Highrise

FAR & Tenement Details (Table 4c-1)

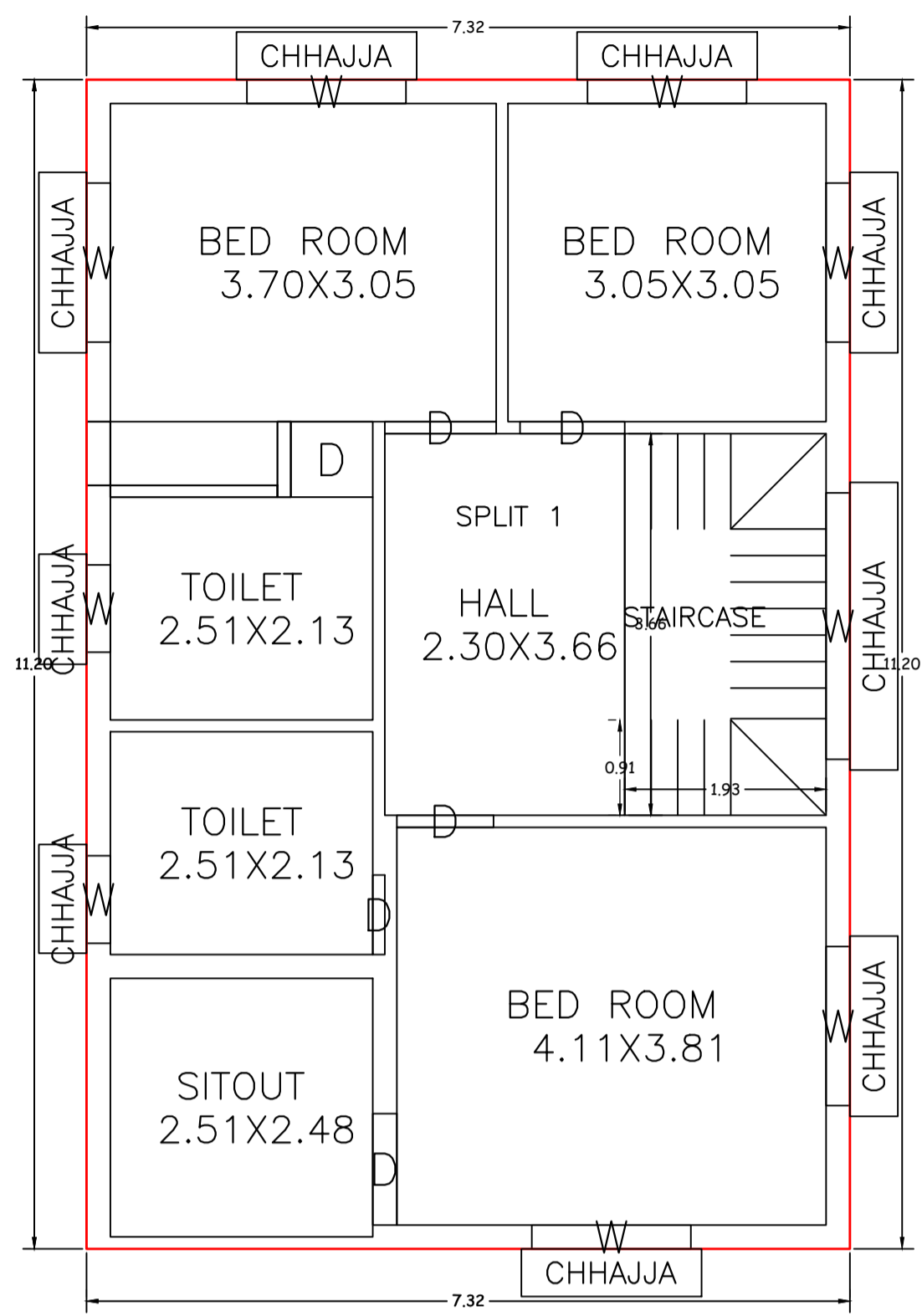
Building	No. of Same Bldg	Total Built Up Area (Sq.mt.)	Proposed FAR Area (Sq.mt.)	Total FAR Area (Sq.mt.)	Total Consumed Additional FAR Area (Sq.mt.)	Tnmt (No.)
A (GITA)	1	163.88	163.88	163.88	163.88	01
Grand Total :	1	163.88	163.88	163.88	163.88	01



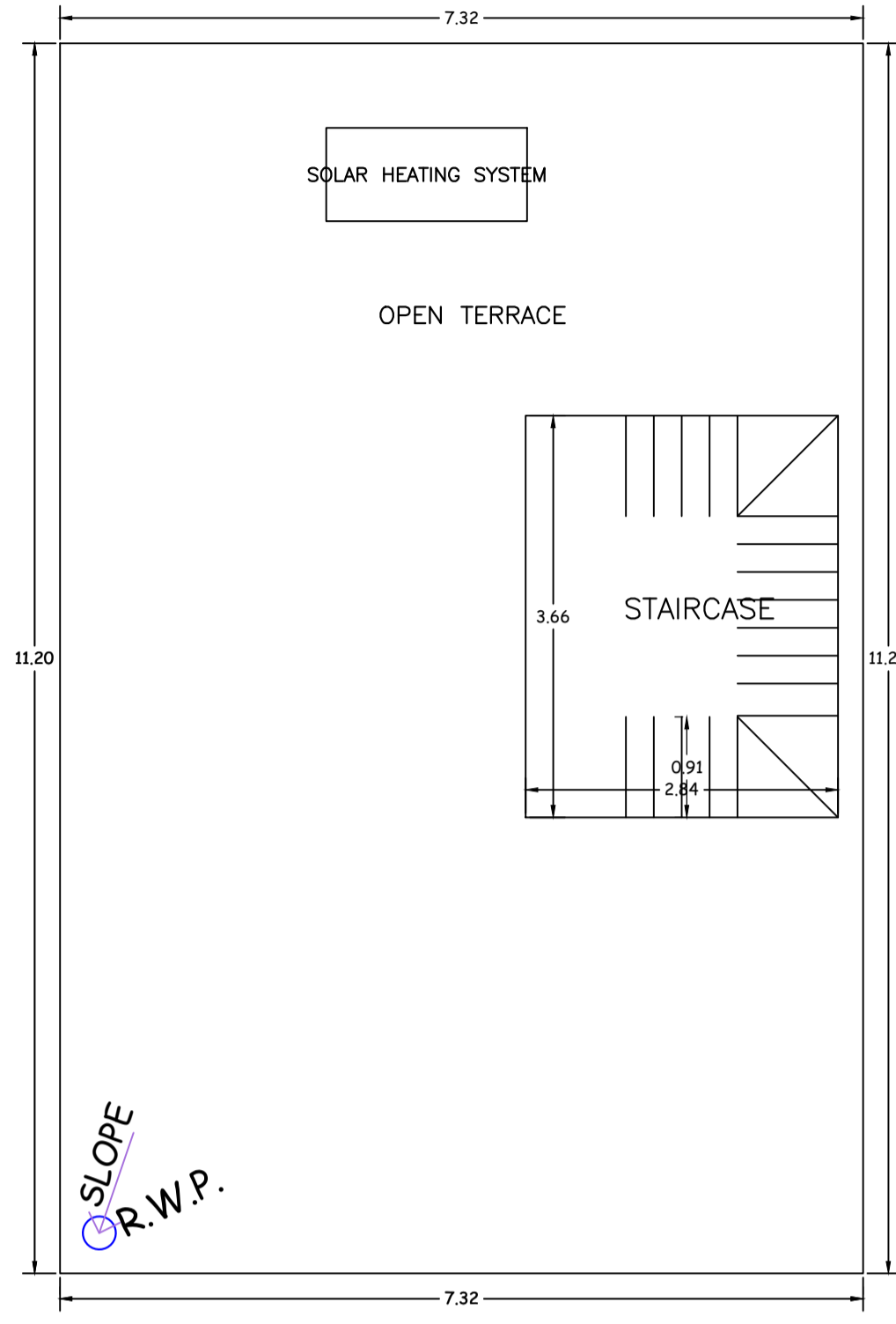
Proposal Basic Information	
Proposal File No.	MADA/BP/0176/2024
Owner Name	SMT. GITA DEVI
Khata No	OLD KHATA NO-34, NEW KHATA NO-5
Plot No	OLD PLOT NO-522, NEW PLOT NO-1459
Village Name	Jalgora
Use	Residential
SubUse	Bungalow/ Dwelling / Non Apartment



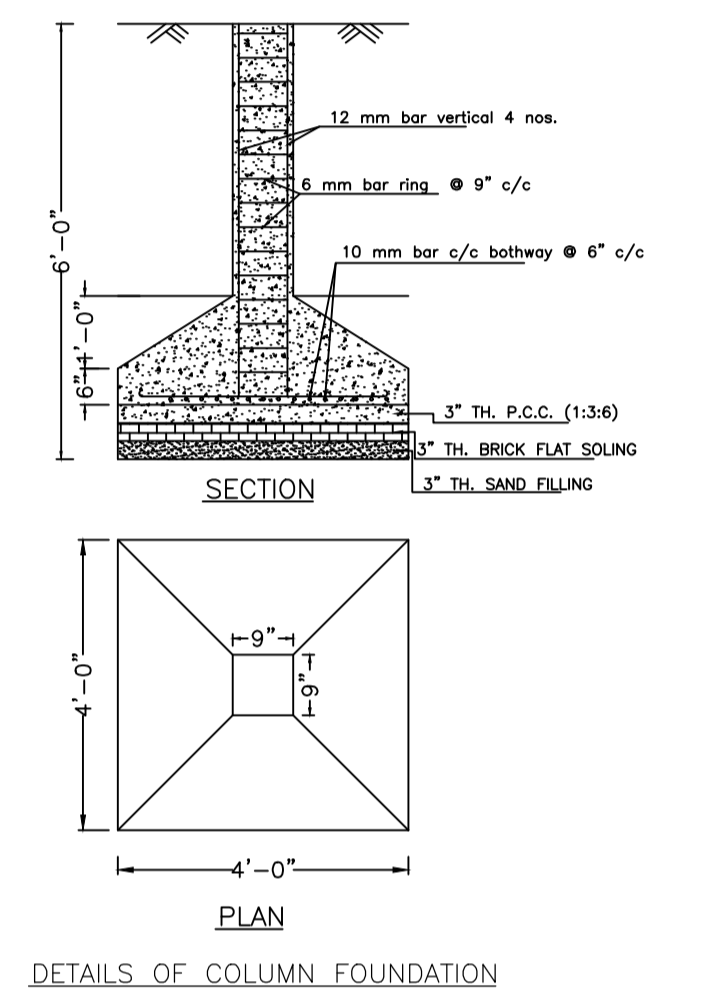
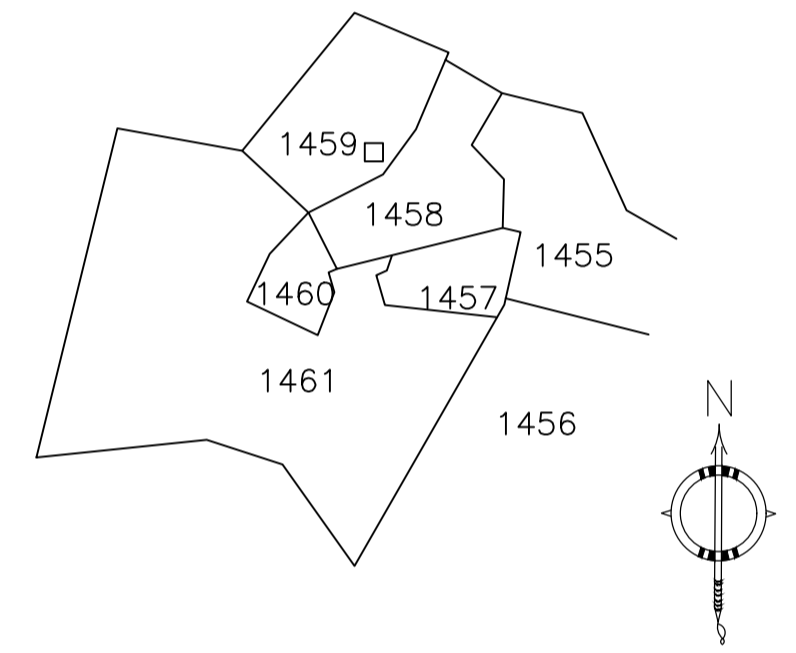
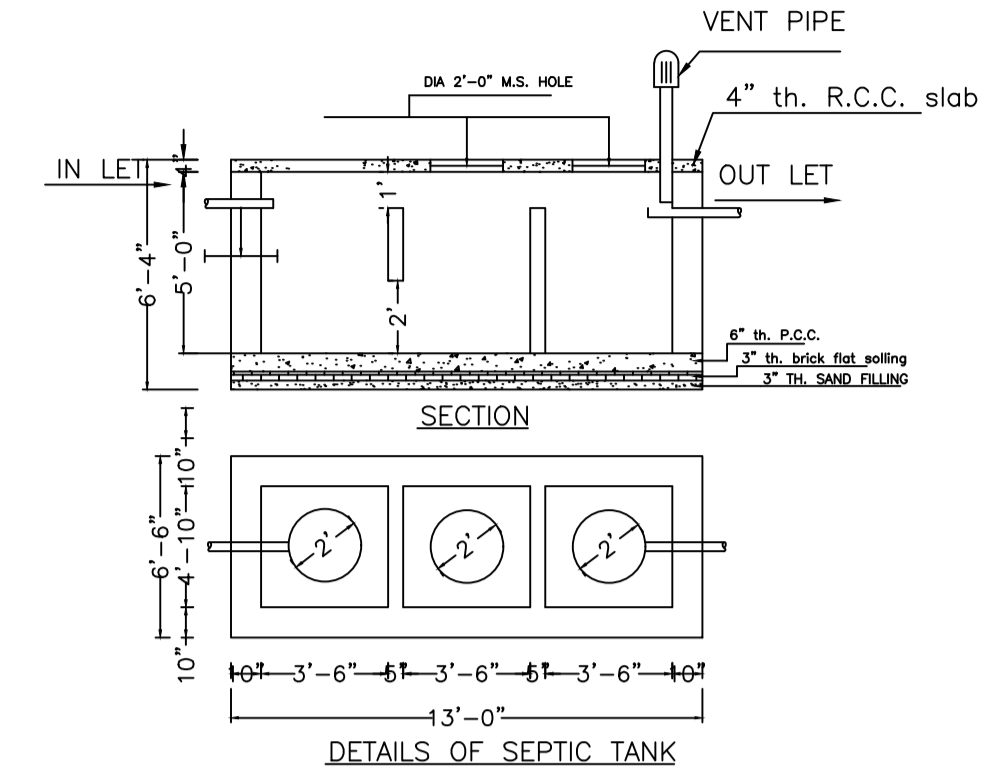
GROUND FLOOR PLAN
(Proposed)
(SCALE 1:100)



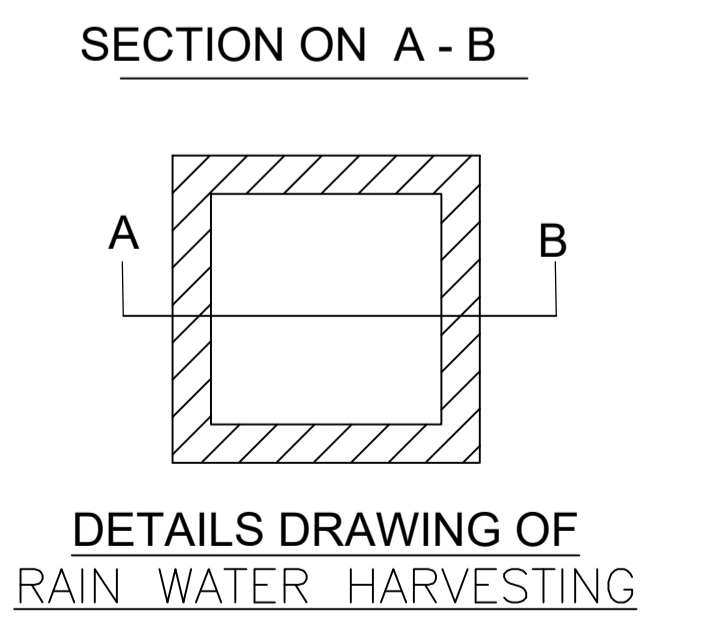
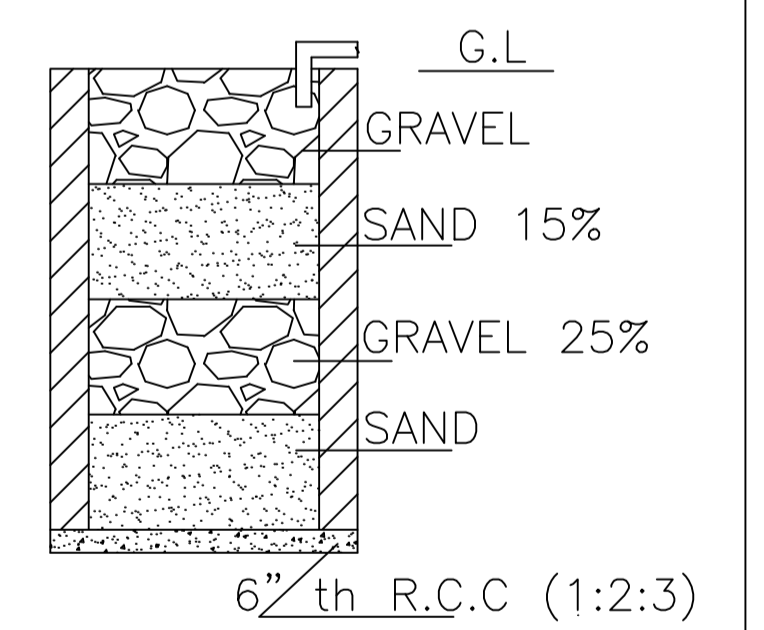
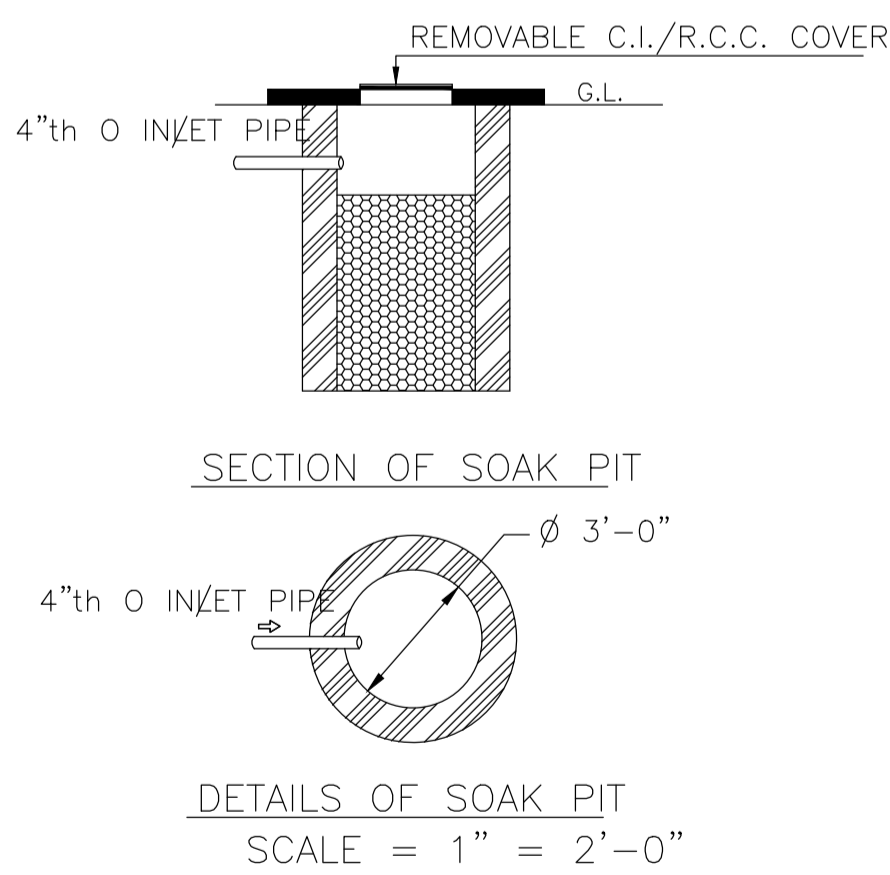
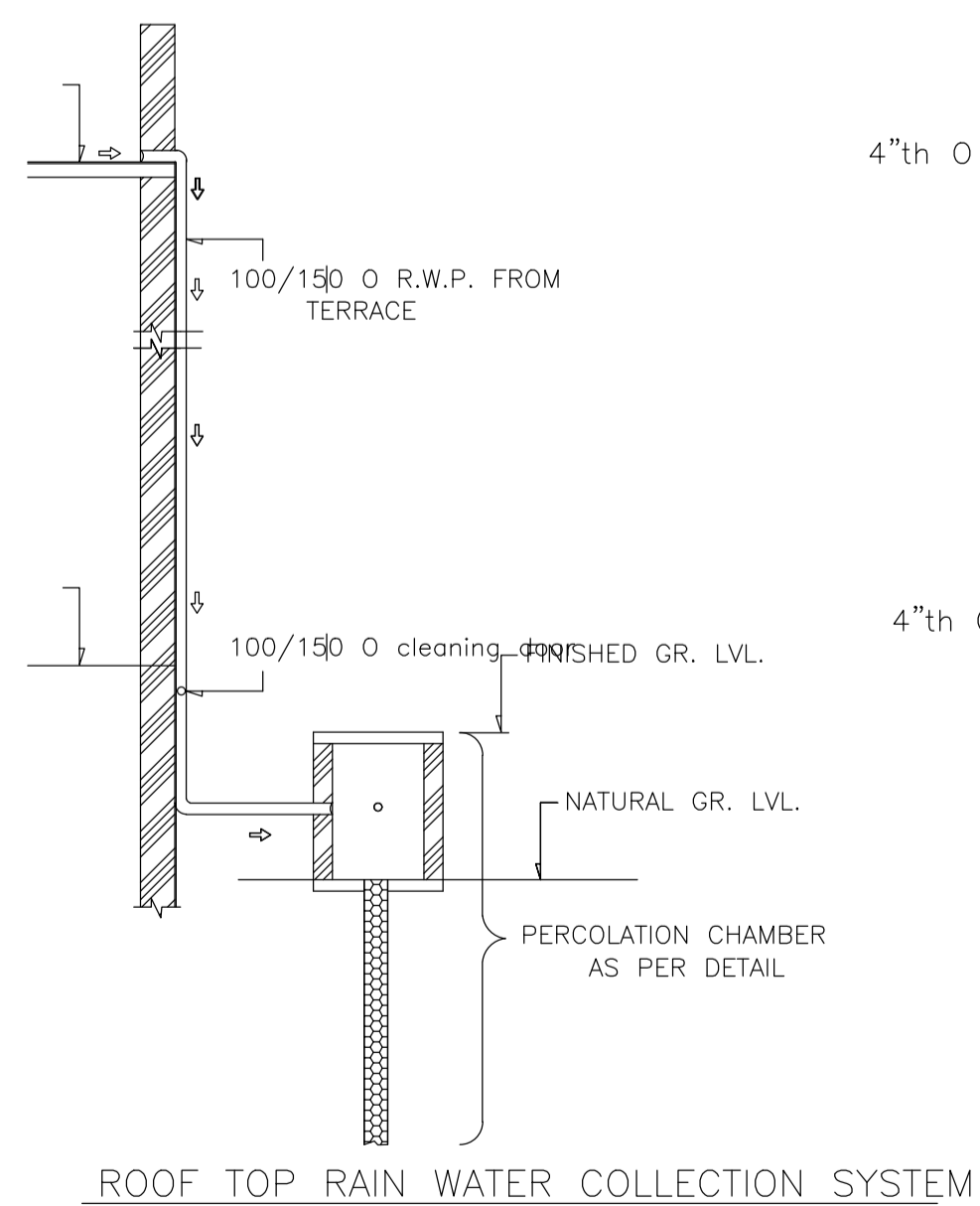
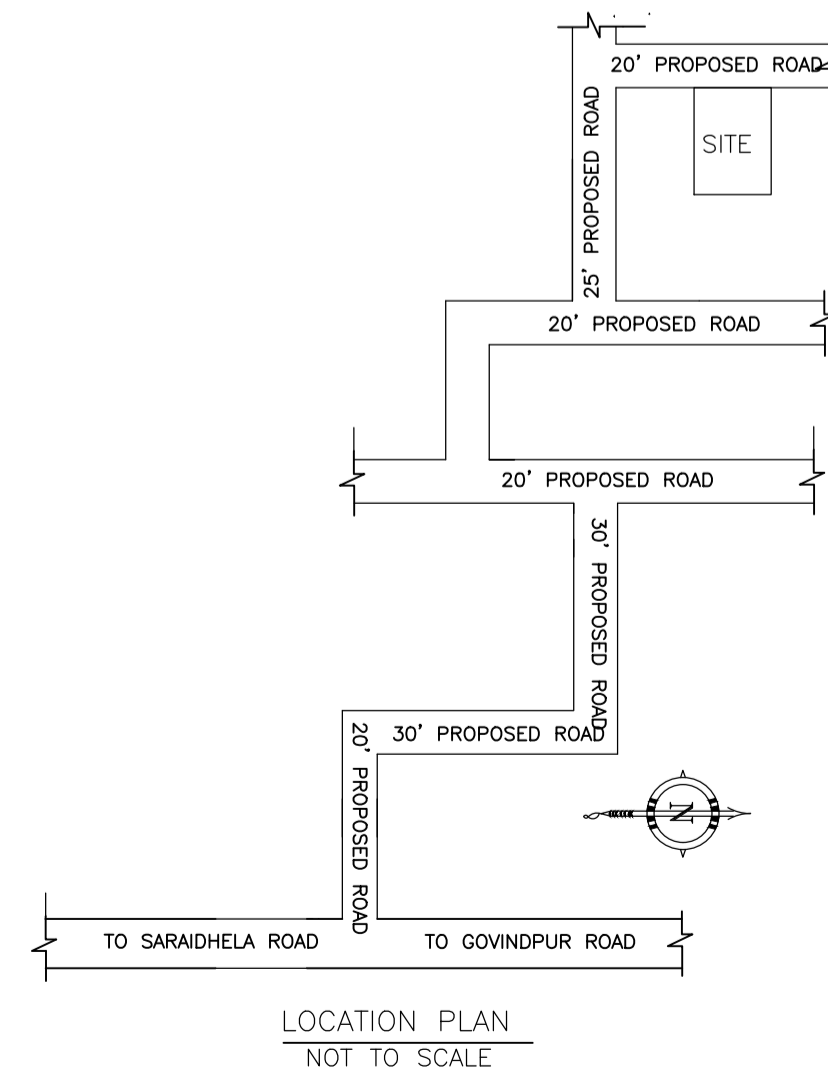
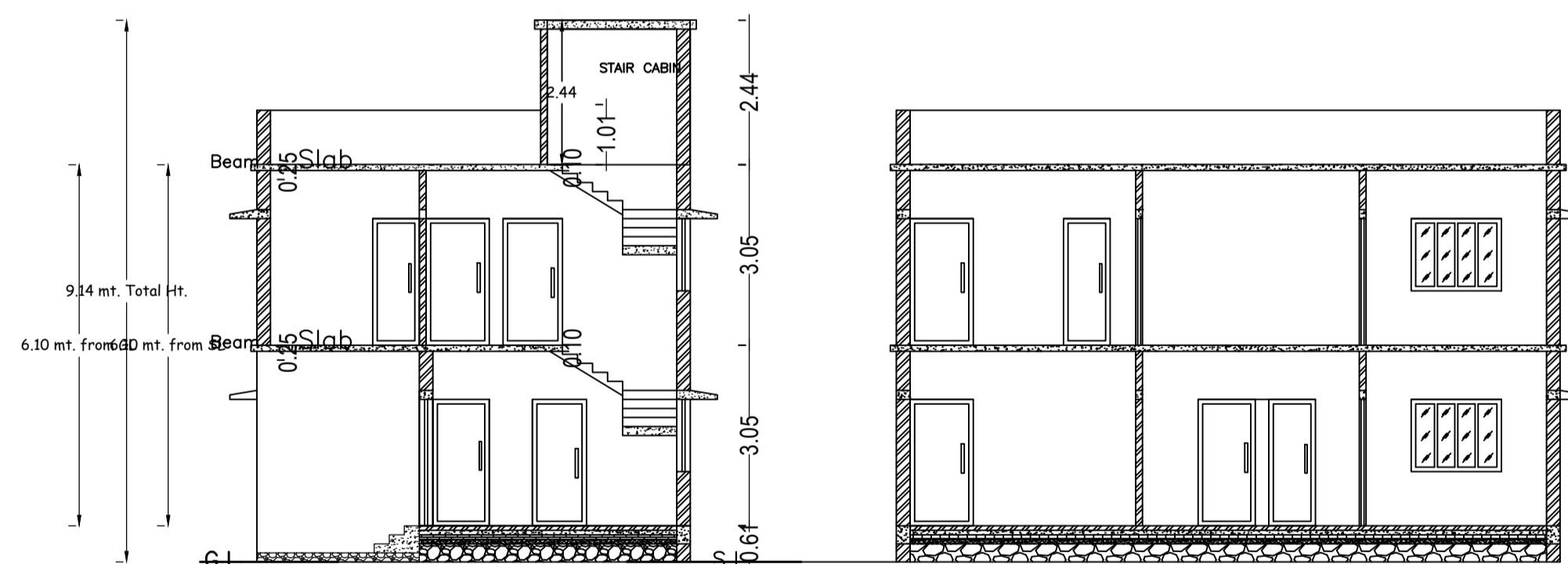
FIRST FLOOR PLAN
(Proposed)
(SCALE 1:100)



TERRACE FLOOR PLAN
(SCALE 1:100)



DETAILS OF COLUMN FOUNDATION



LTP NAME AND SIGNATURE	STRUCTURAL ENG'S NAME AND SIGNATURE	BUILDER NAME AND SIGNATURE	DIGITAL SIGNATURE
RAM PRATAP SINGH MADA/ARC/0024/2019			