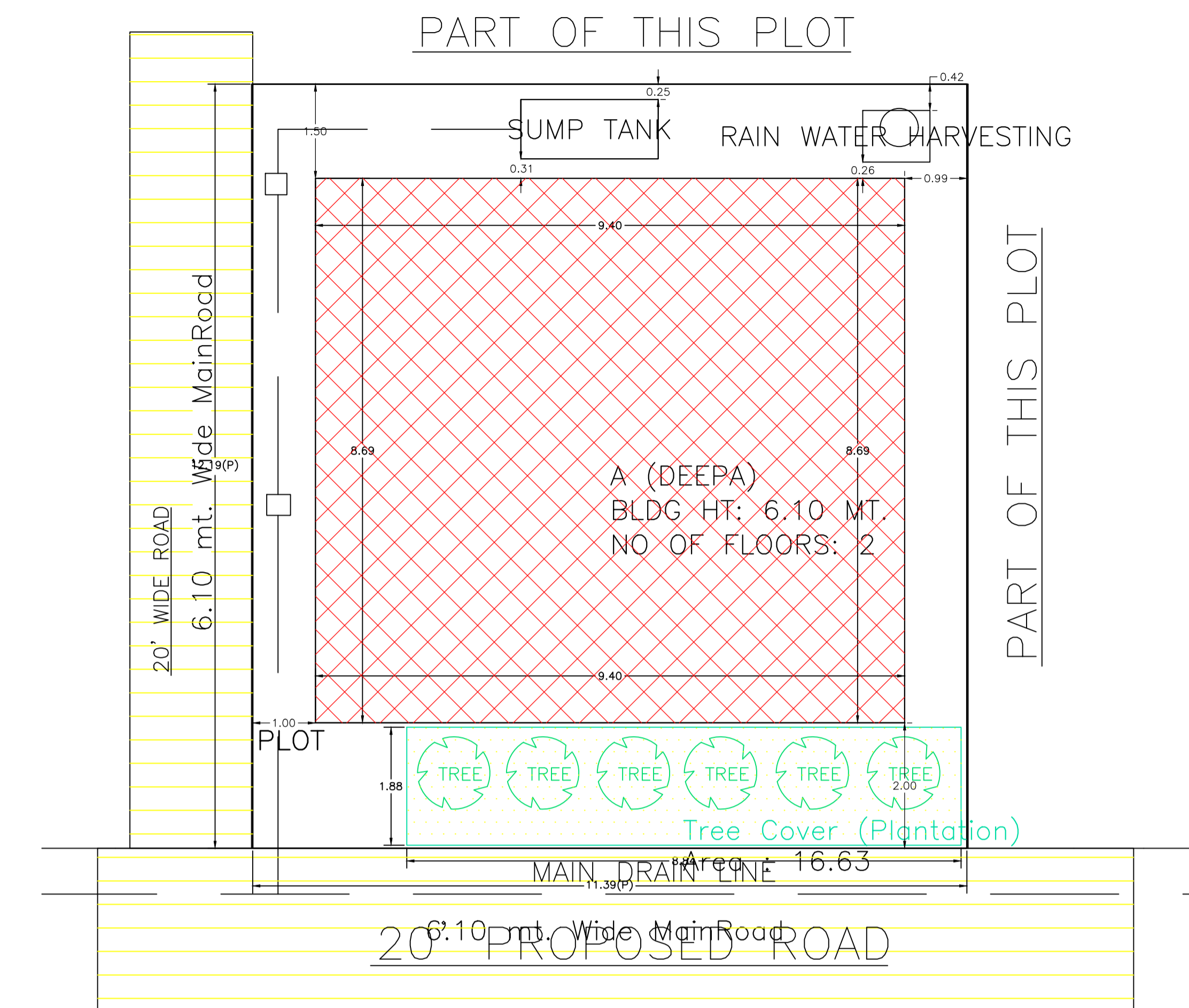


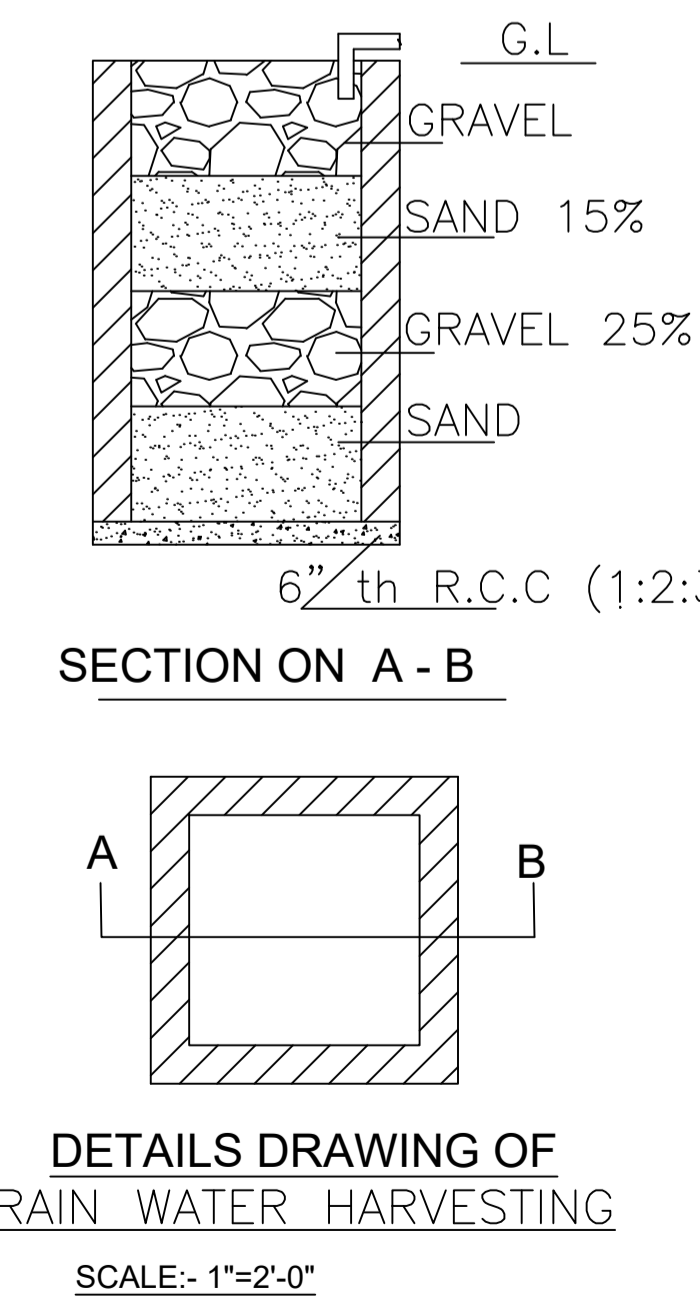
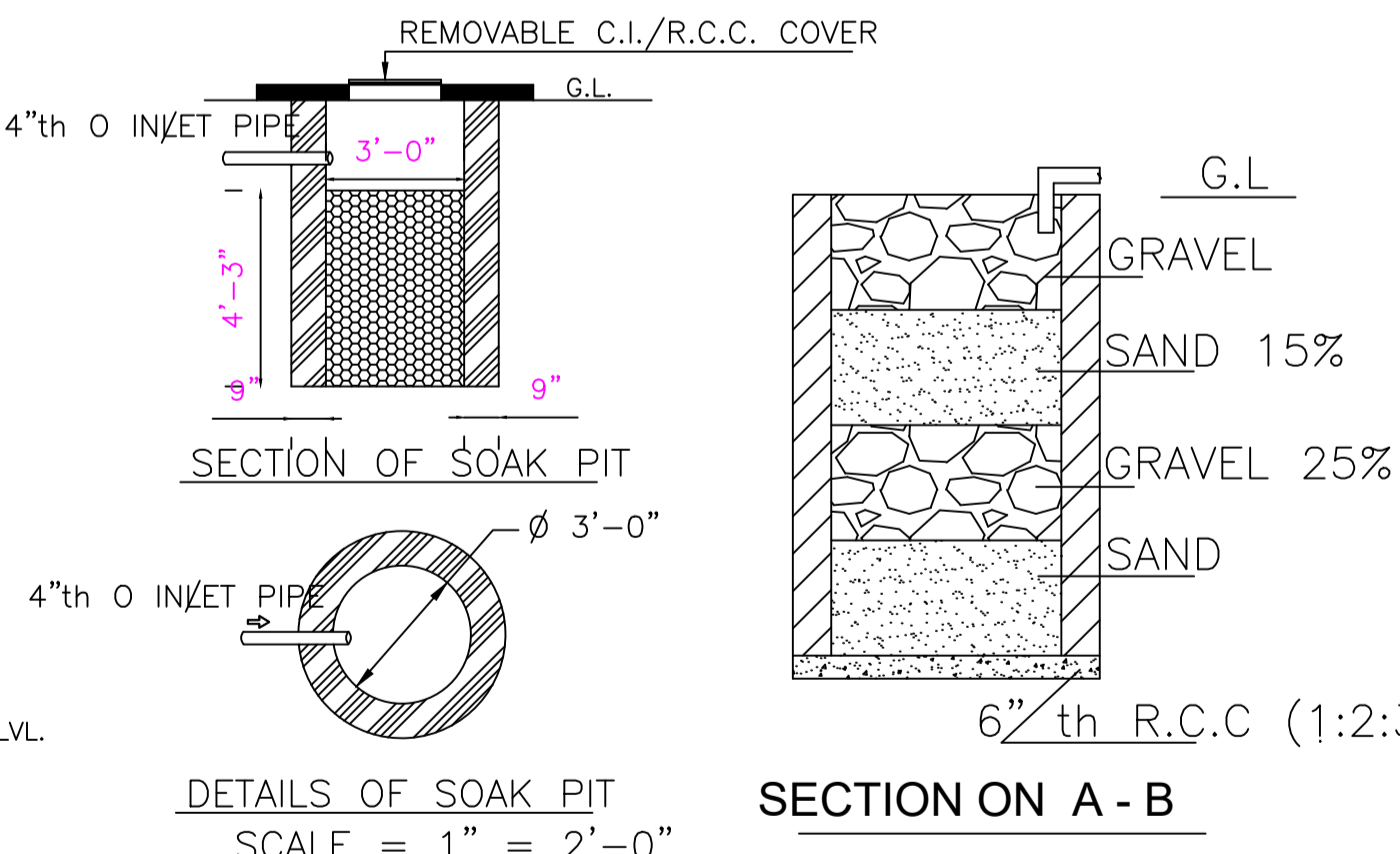
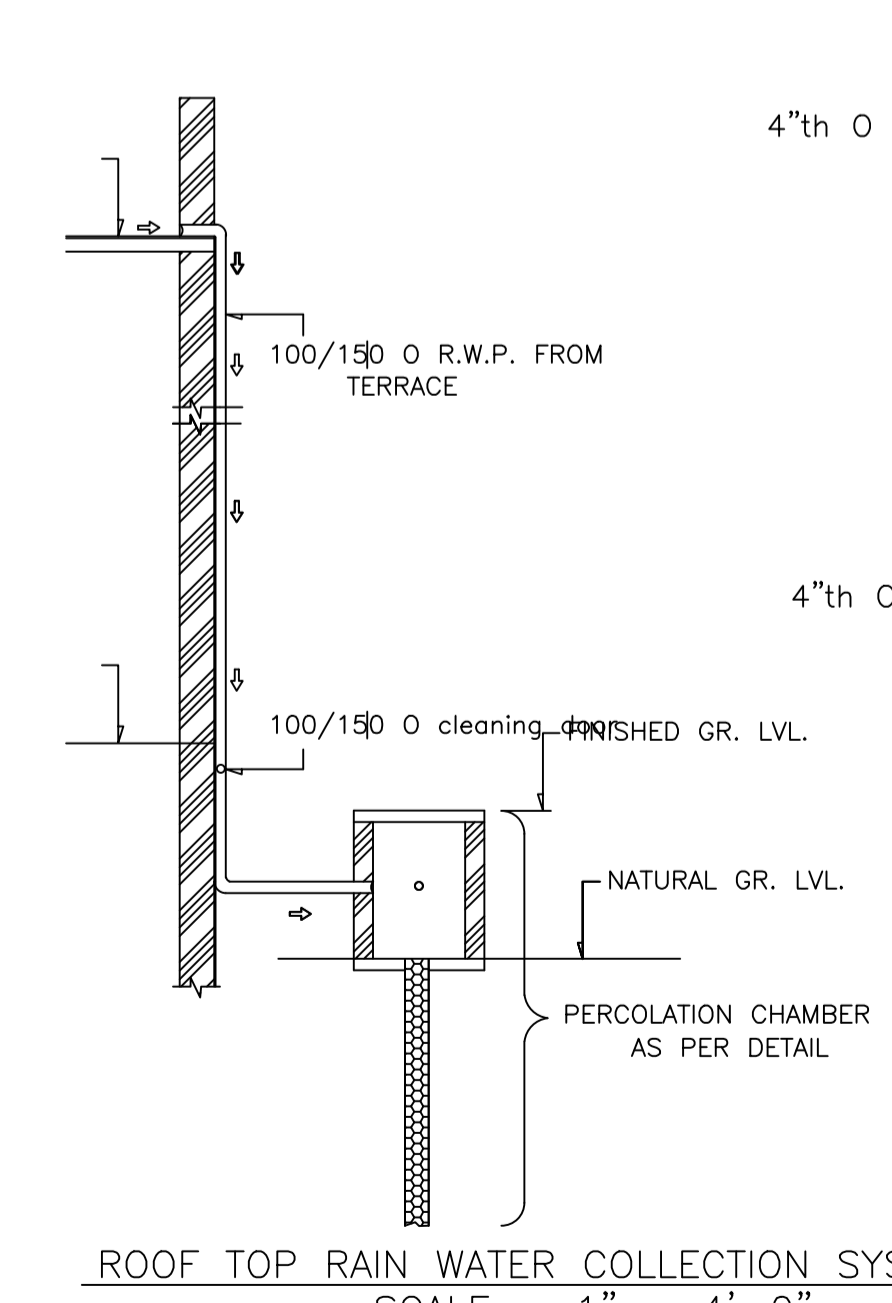
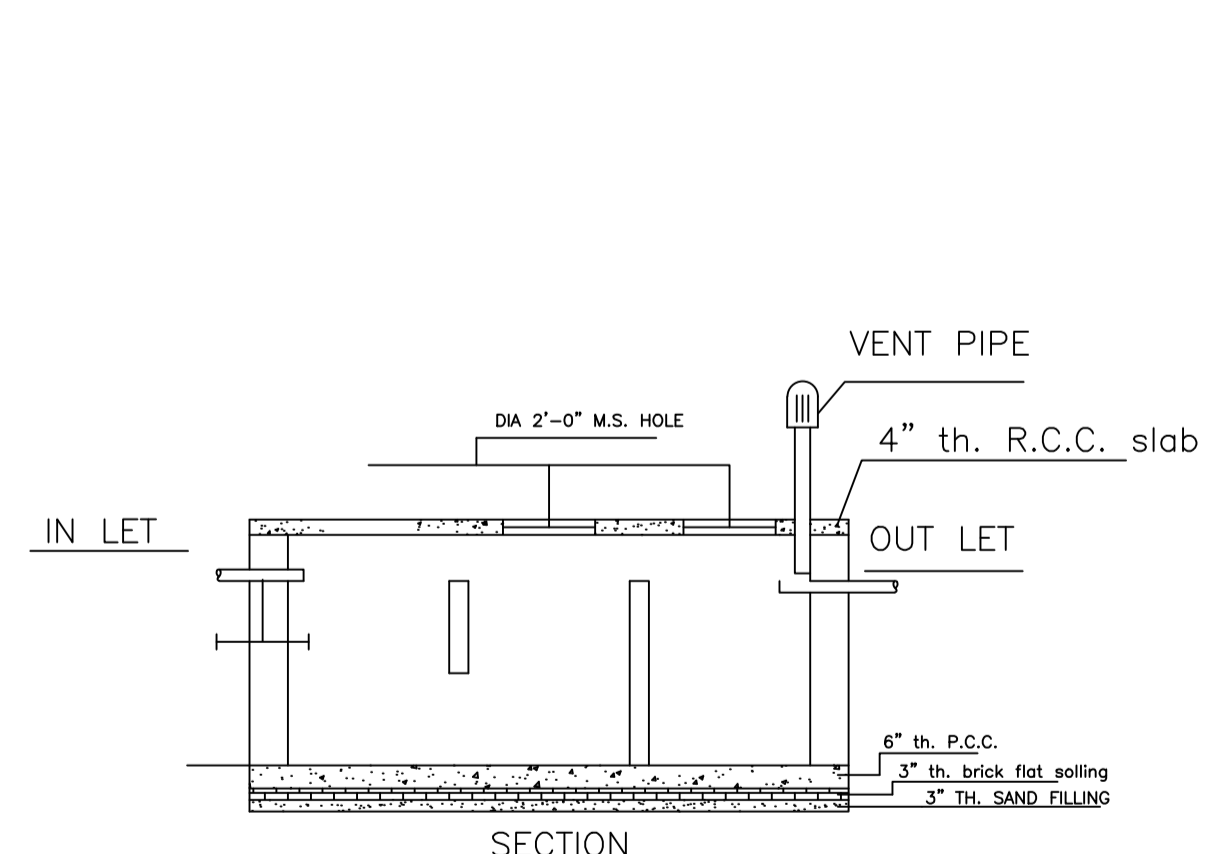
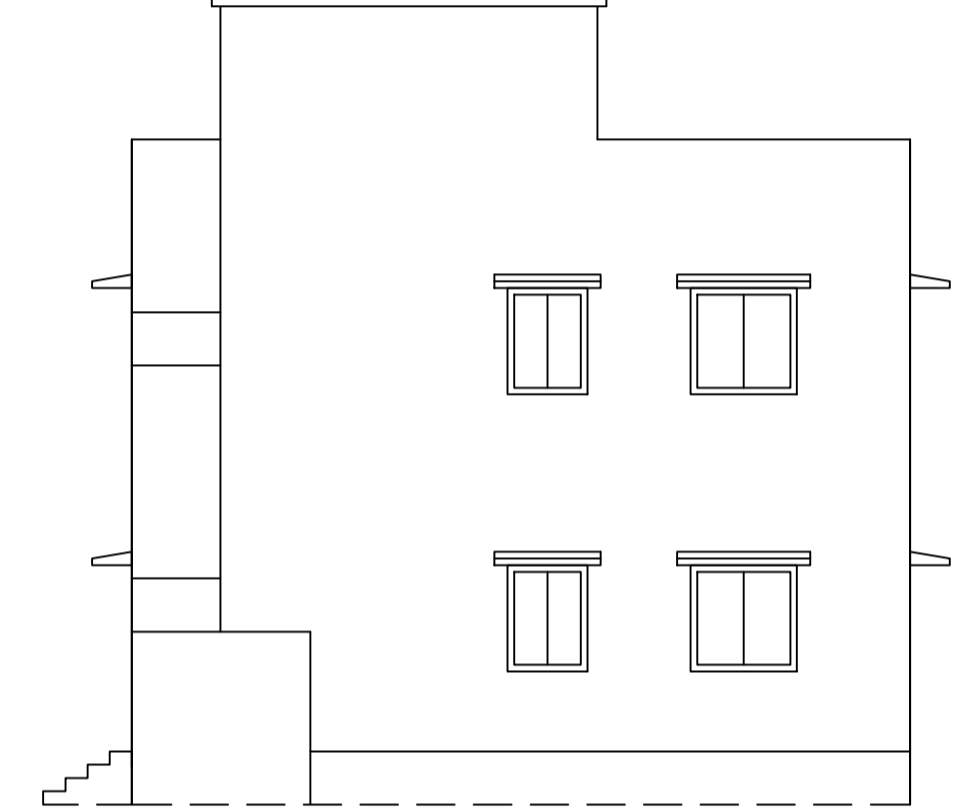
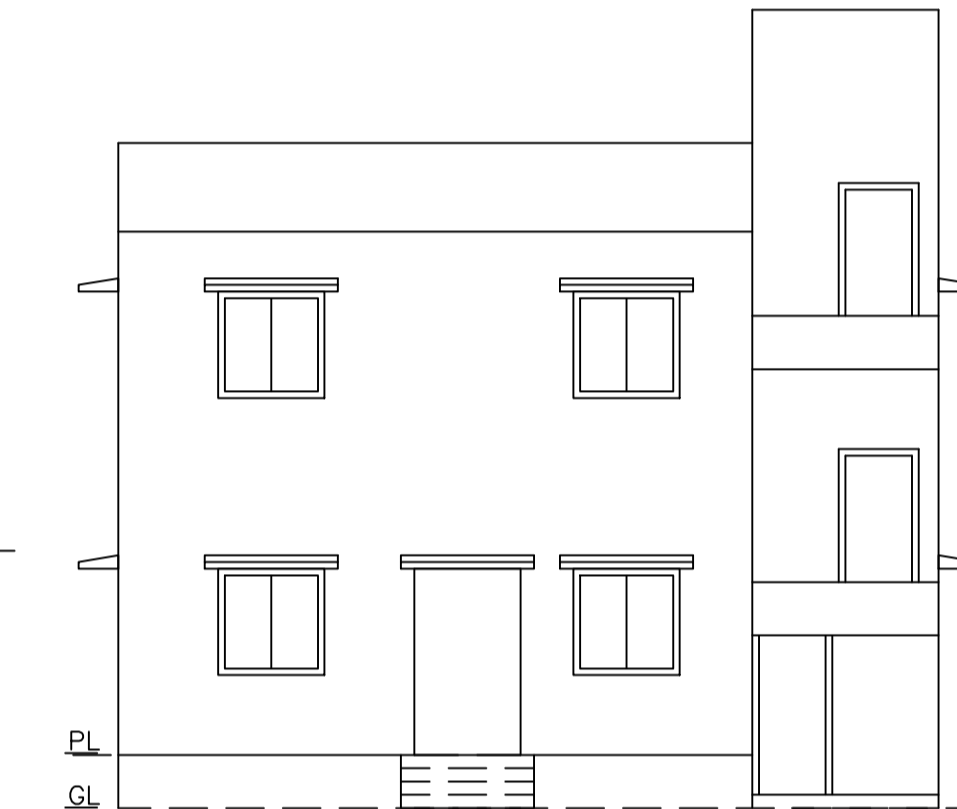
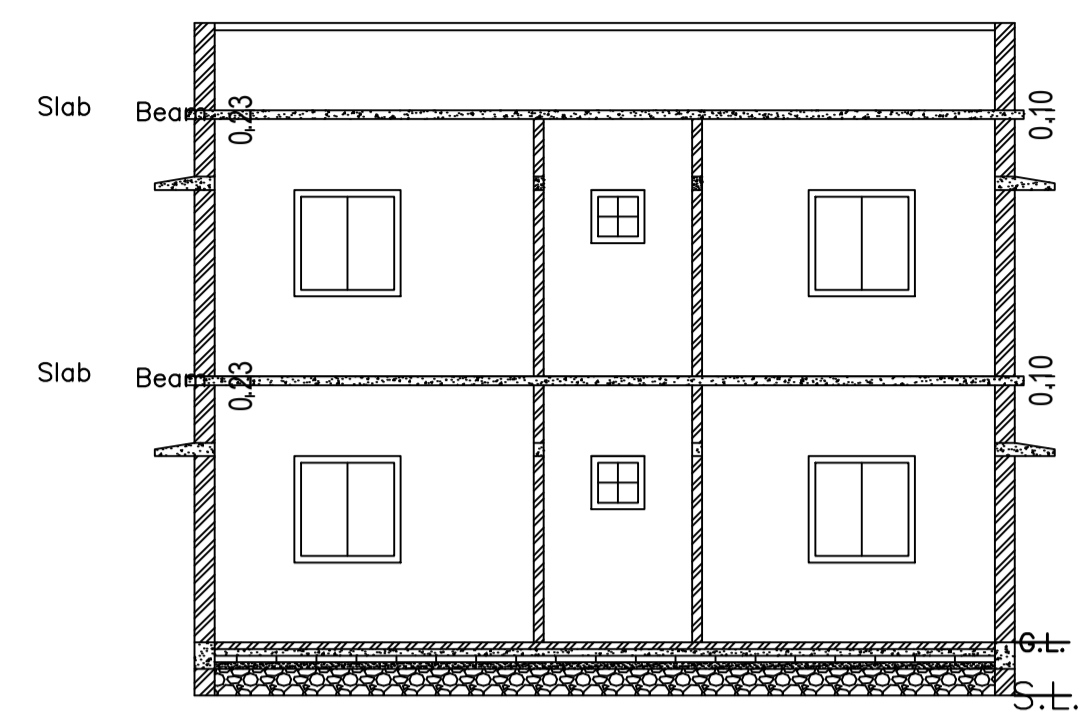
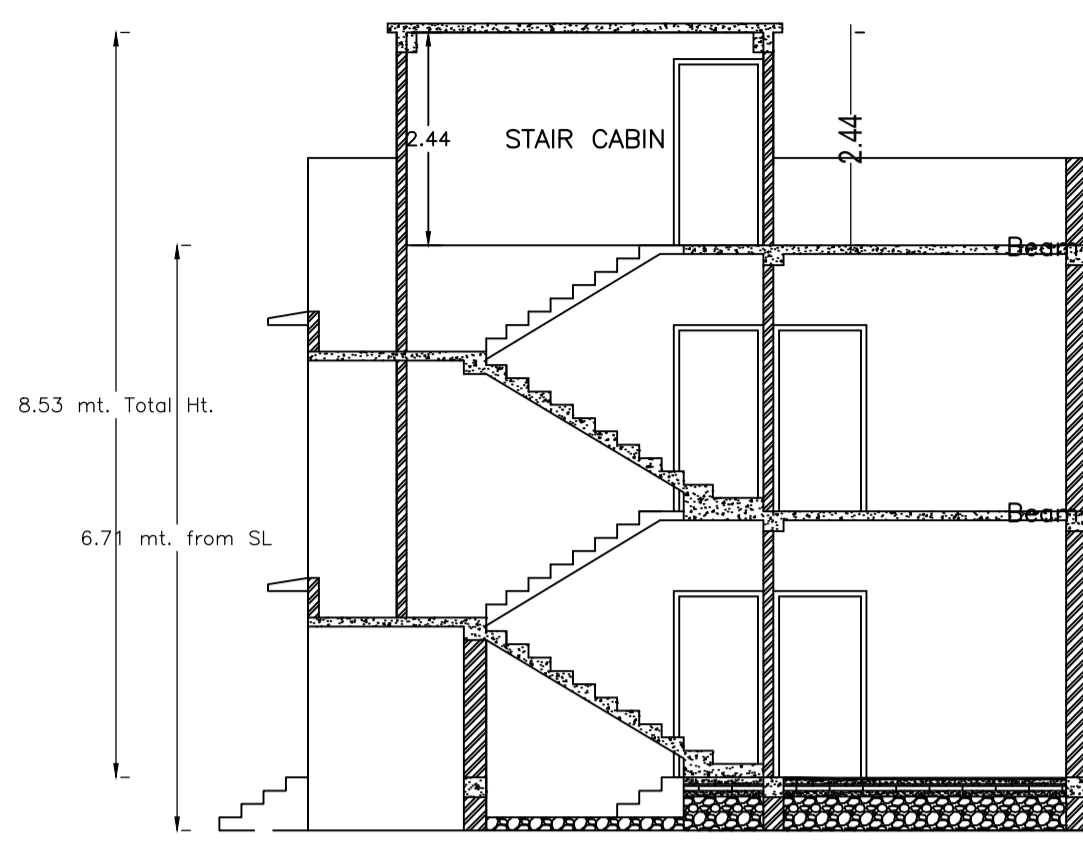
Proposal Basic Information

Proposal File No.	MADA/BP/0182/2024
Owner Name	SMT. DEEPA SINHA RINKI
Khata No	OLD KHATA NO-55, NEW KHATA NO-215
Plot No	OLD PLOT NO-2527, NEW PLOT NO-3963
Village Name	Bara Pichri
Use	Residential
SubUse	Bungalow/ Dwelling / Non Apartment

AREA STATEMENT MINERAL AREA DEVELOPMENT AUTHORITY	VERSION NO.: 1.0.70 VERSION DATE: 16/10/2020
PROJECT DETAIL:	
Region: JHARKHAND URBAN LOCAL BODIES	Plot Use: Residential
District: DHANBAD	Plot SubUse: Bungalow/ Dwelling / Non Apartment
Authority: MINERAL AREA DEVELOPMENT AUTHORITY	PlotNearby/ReligiousStructure: NA
Inward_No: MADA/BP/0182/2024	Plot/SubPlot No: OLD PLOT NO-2527, NEW PLOT NO-3963
Application Type: General Proposal	North: Plot No. - SAME PLOT
Project Type: Building Permission	South: Road Width - 6.10
Nature of Development: New	East: Road Width - 6.10
Location of Development Area: Old Area	West: Plot No. - SAME PLOT
AREA DETAILS:	
AREA OF PLOT (Minimum)	(A) 138.87
NET AREA OF PLOT(Gross Plot Area - Deduction from Gross Plot area)	(A-Deductions) 138.87
Deduction for Balance Plot Area(from Gross Plot Area)	
Common Plot	16.63
Total	16.63
BALANCE AREA OF PLOT(Net Plot Area - Recreational/Amenity space)	(A-Deductions) 122.23
PLOT AREA FOR COVERAGE(Net Plot Area)	(A-Deductions) 138.87
Plot Area for FAR (Net Plot Area + RoadWidening Area)	(A-Deductions) 138.87
COVERAGE CHECK	
Permissible Coverage area ( 70.00 % )	97.21
Proposed Coverage Area ( 58.79 % )	81.64
Total Prop. Coverage Area ( 58.79 % )	81.64
Balance coverage area ( 11.21 % )	15.57
FAR CHECK	
Perm. FAR Area ( 2.500 )	347.17
Total Perm. FAR area	347.17
Residential FAR	163.28
Proposed FAR Area	163.28
Total Proposed FAR Area	163.28
Consumed FAR (Factor)	1.18
Balance FAR Area	183.89
BUILT UP AREA CHECK	
Total Proposed BuiltUp Area	163.28
ARCHITECT (Regd)	RAM PRATAP SINGH
ENGINEER (Regd)	
SUPERVISOR (Regd)	
OWNER (Regd)	SMT. DEEPA SINHA RINKI
DEVELOPMENT AUTHORITY LOCAL BODY	



SITE PLAN  
SCALE - 1" = 8'-0"



UnitBUA Table for Building :A (DEEPA)

FLOOR	Name	UnitBUA Type	UnitBUA Area	Carpet Area	No. of Rooms	No. of Tenement
GROUND FLOOR PLAN	SPLIT A	FLAT	163.28	163.13	6	1
FIRST FLOOR PLAN	SPLIT A	FLAT	0.00	0.00	7	0
Total:	-	-	163.28	163.13	13	1

SCHEDULE OF DOOR:

BUILDING NAME	NAME	LENGTH	HEIGHT	NOS
A (DEEPA)	D	0.76	2.10	02
A (DEEPA)	D	0.91	2.10	07
A (DEEPA)	D	0.99	2.10	02
A (DEEPA)	D	1.03	2.10	02
A (DEEPA)	D	1.22	2.10	01

SCHEDULE OF WINDOW/VENTILATION:

BUILDING NAME	NAME	LENGTH	HEIGHT	NOS
A (DEEPA)	V	0.61	1.20	02
A (DEEPA)	W	0.91	1.20	04
A (DEEPA)	W	1.22	1.20	12
A (DEEPA)	W	2.02	1.20	02

Building :A (DEEPA)

Floor Name	Total Built Up Area (Sq.mt.)	Proposed FAR Area (Sq.mt.) Resi.	Total FAR Area (Sq.mt.)	Total Consumed Additional FAR Area (Sq.mt.)	Tnmt (No.)
Ground Floor	81.64	81.64	81.64	81.64	01
First Floor	81.64	81.64	81.64	81.64	00
Terrace Floor	0.00	0.00	0.00	0.00	00
Total :	163.28	163.28	163.28	163.28	01
Total Number of Same Buildings	1				
Total :	163.28	163.28	163.28	163.28	01

COLOR INDEX

PLOT BOUNDARY	Black
ABUTTING ROAD	Red
PROPOSED CONSTRUCTION	Green
COMMON PLOT	Yellow
ROAD WIDENING AREA	Blue
EXISTING (To be retained)	Light Blue
EXISTING (To be demolished)	Orange

Buildingwise Floor FAR Details

Floor Name	Building Name A (DEEPA)		Total	
	Proposed Built Up Area (Sq.mt.)	Proposed FAR Area (Sq.mt.)	Total Proposed Built Up Area (Sq.mt.)	Total FAR Area (Sq.mt.)
Ground Floor	81.64	81.64	81.64	81.64
First Floor	81.64	81.64	81.64	81.64
Terrace Floor	0.00	0.00	0.00	0.00
Total :	163.28	163.28	163.28	163.28

Building USE/SUBUSE Details

Building Name	Building Use	Building SubUse	Building Structure
A (DEEPA)	Residential	Bungalow/ Dwelling / Non Apartment	Non-Highrise

FAR & Tenement Details (Table 4c-1)

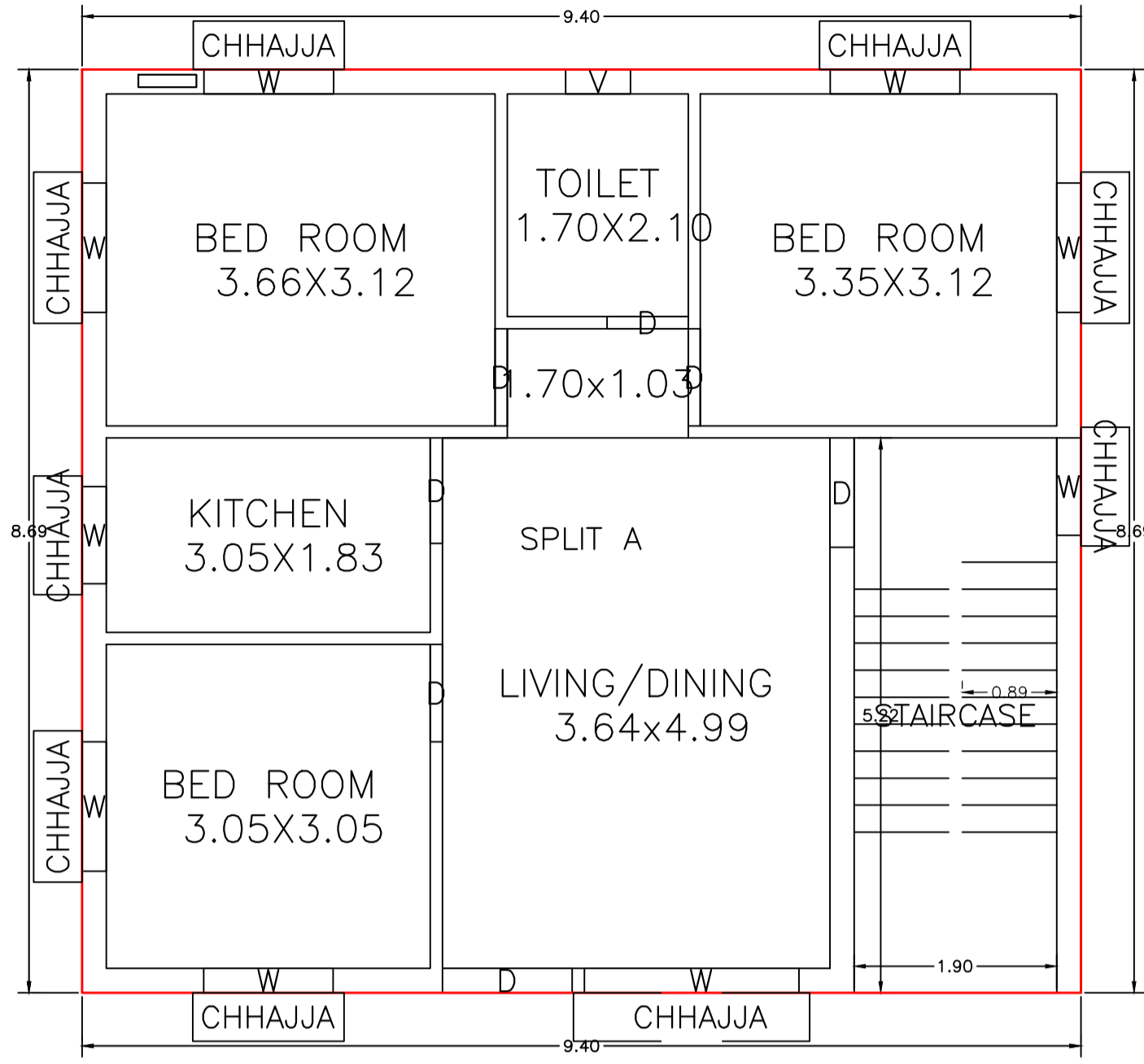
Building	No. of Same Bldg	Total Built Up Area (Sq.mt.)	Proposed FAR Area (Sq.mt.) Resi.	Total FAR Area (Sq.mt.)	Total Consumed Additional FAR Area (Sq.mt.)	Tnmt (No.)
A (DEEPA)	1	163.28	163.28	163.28	163.28	01
Grand Total :	1	163.28	163.28	163.28	163.28	01

LTP NAME AND SIGNATURE RAM PRATAP SINGH MADA/ARC/0024/2019	STRUCTURAL ENG'S NAME AND SIGNATURE	BUILDER NAME AND SIGNATURE	DIGITAL SIGNATURE
--	-------------------------------------	----------------------------	-------------------

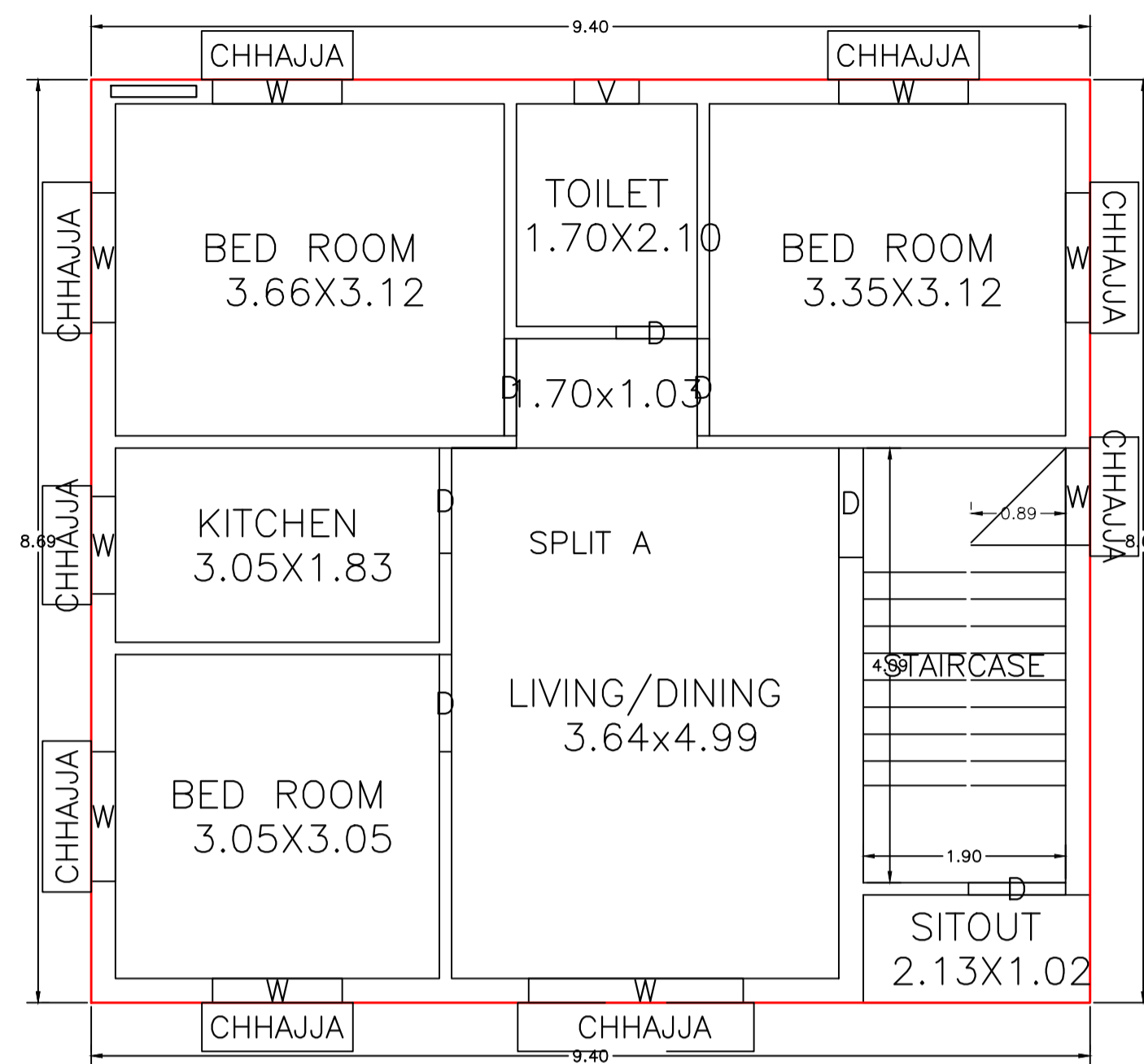


Proposal Basic Information

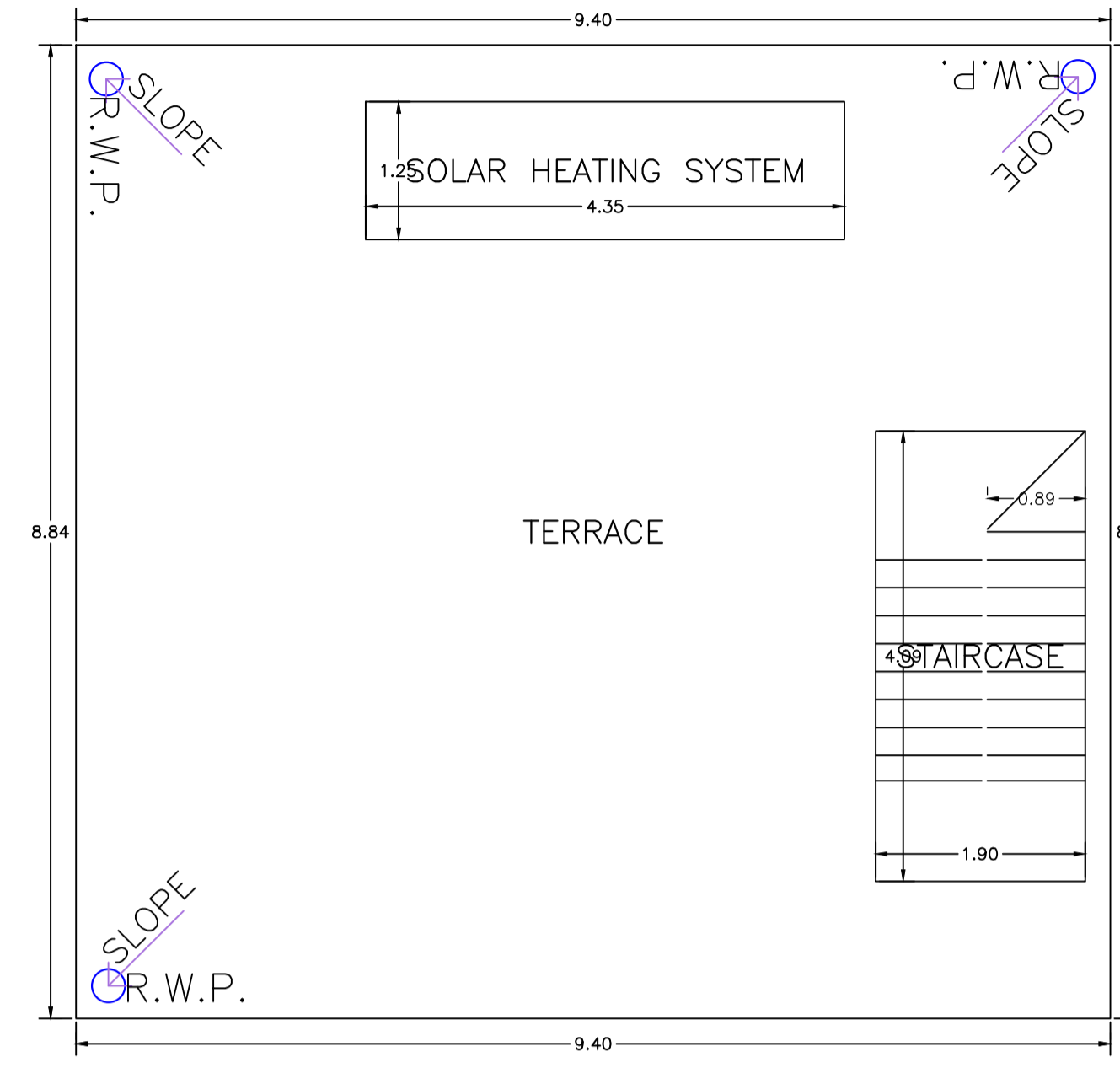
Proposal File No.	MADA/BP/0182/2024
Owner Name	SMT. DEEPA SINHA RINKI
Khata No	OLD KHATA NO-55, NEW KHATA NO-215
Plot No	OLD PLOT NO-2527, NEW PLOT NO-3963
Village Name	Bara Pichri
Use	Residential
SubUse	Bungalow/ Dwelling / Non Apartment



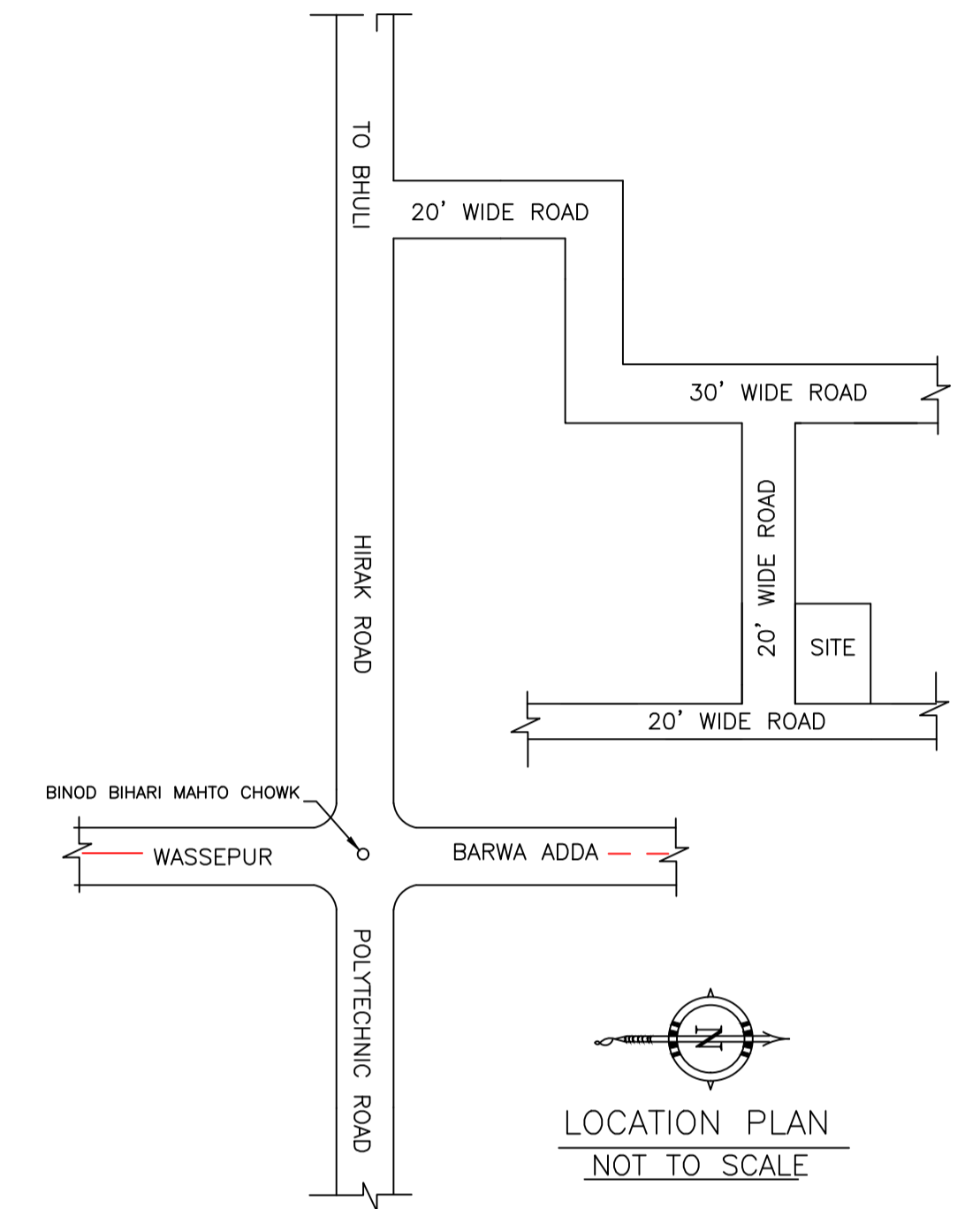
GROUND FLOOR PLAN  
(Proposed)  
(SCALE 1:100)



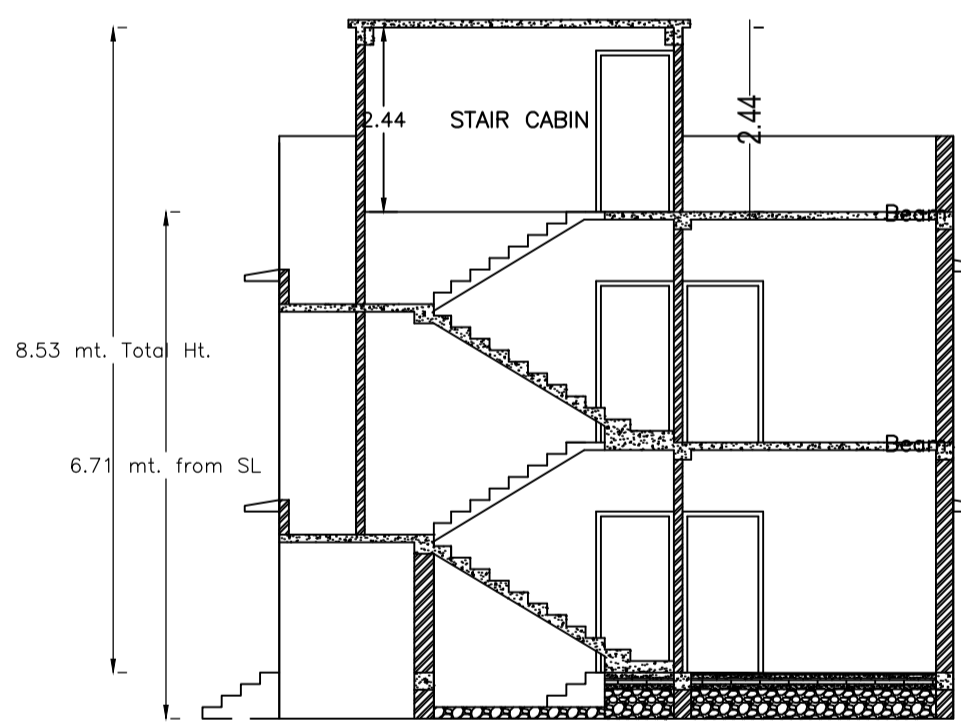
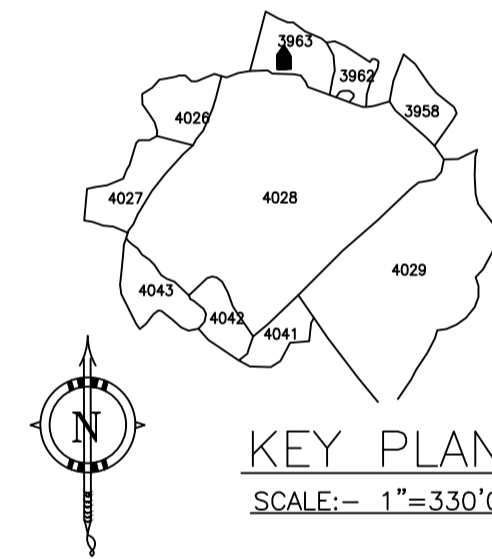
FIRST FLOOR PLAN  
(Proposed)  
(SCALE 1:100)



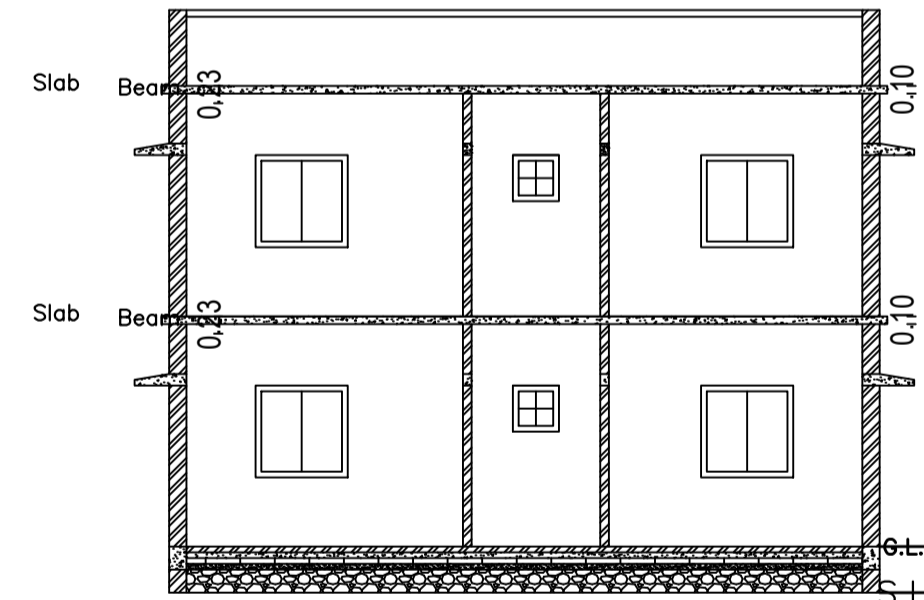
TERRACE FLOOR PLAN  
(SCALE 1:100)



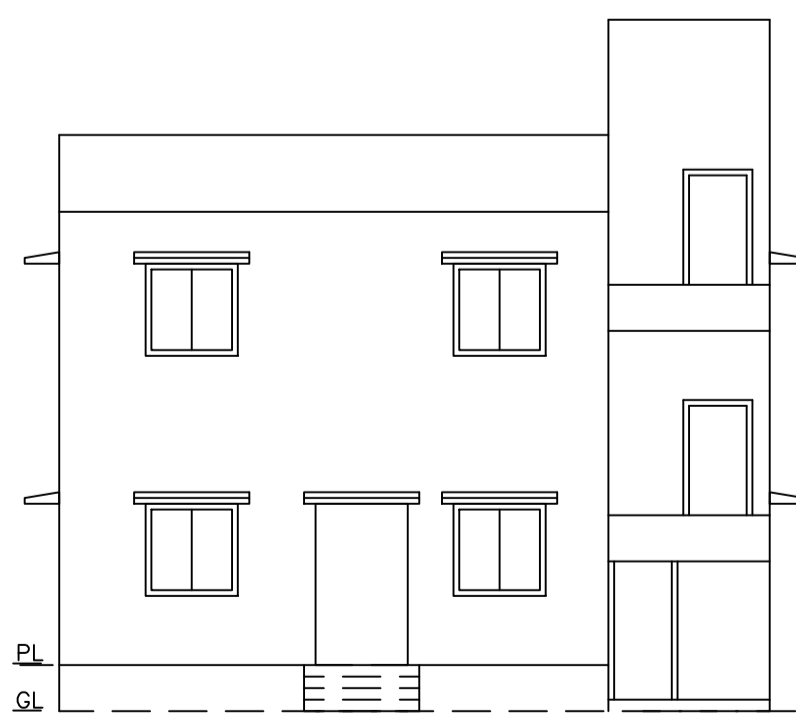
LOCATION PLAN  
NOT TO SCALE



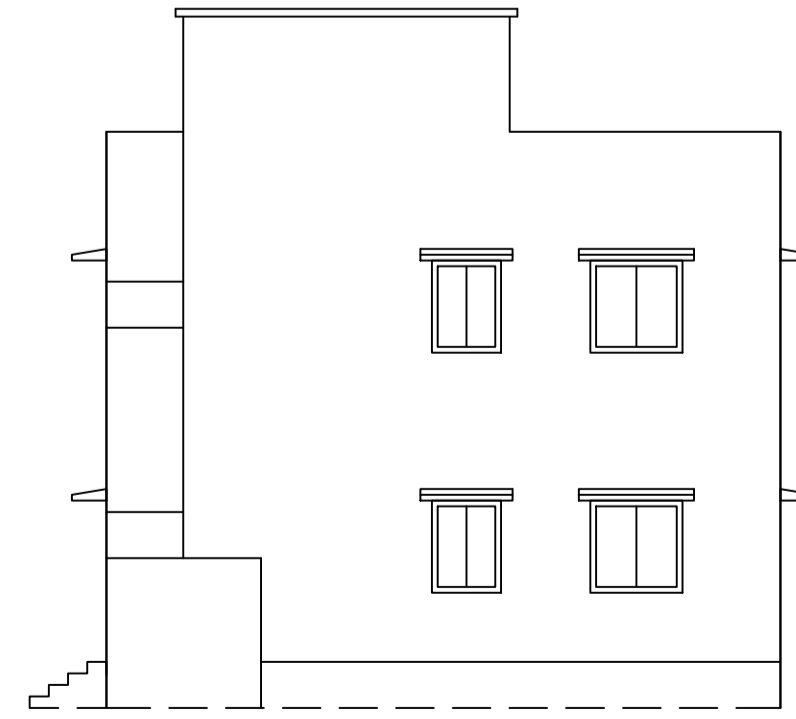
SECTION - XX'  
SCALE - 1" = 8'-0"



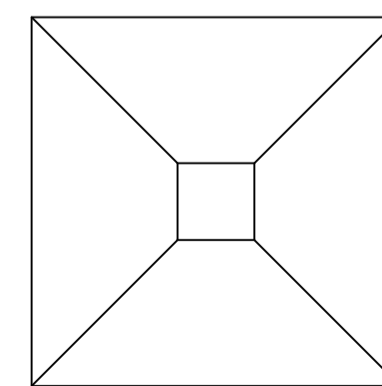
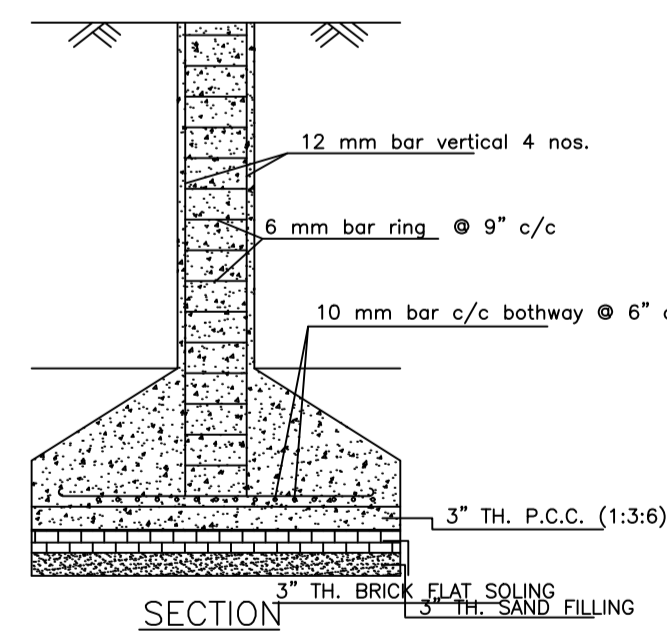
SECTION - YY'  
SCALE - 1" = 8'-0"



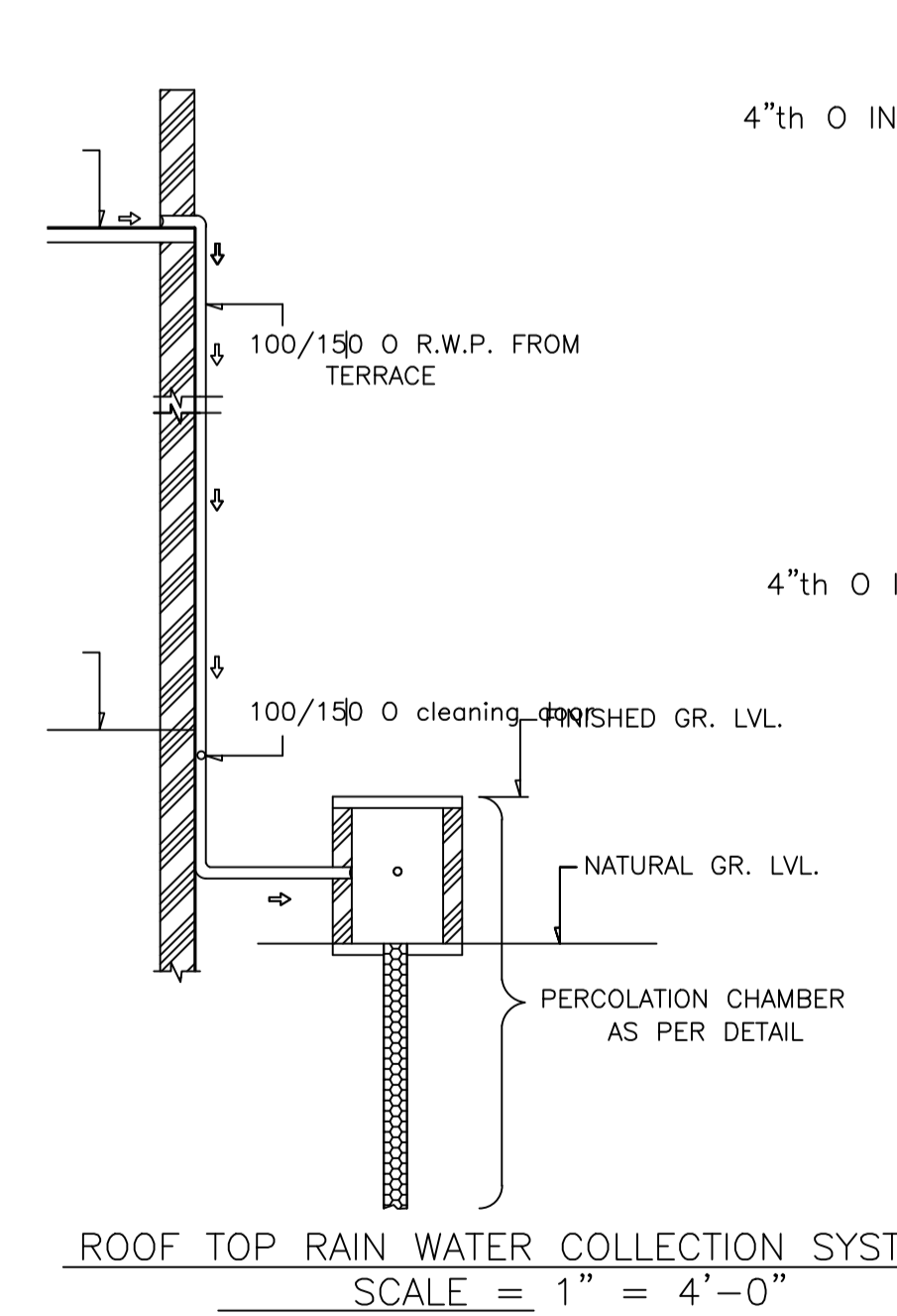
FRONT ELEVATION  
SCALE - 1" = 8'-0"



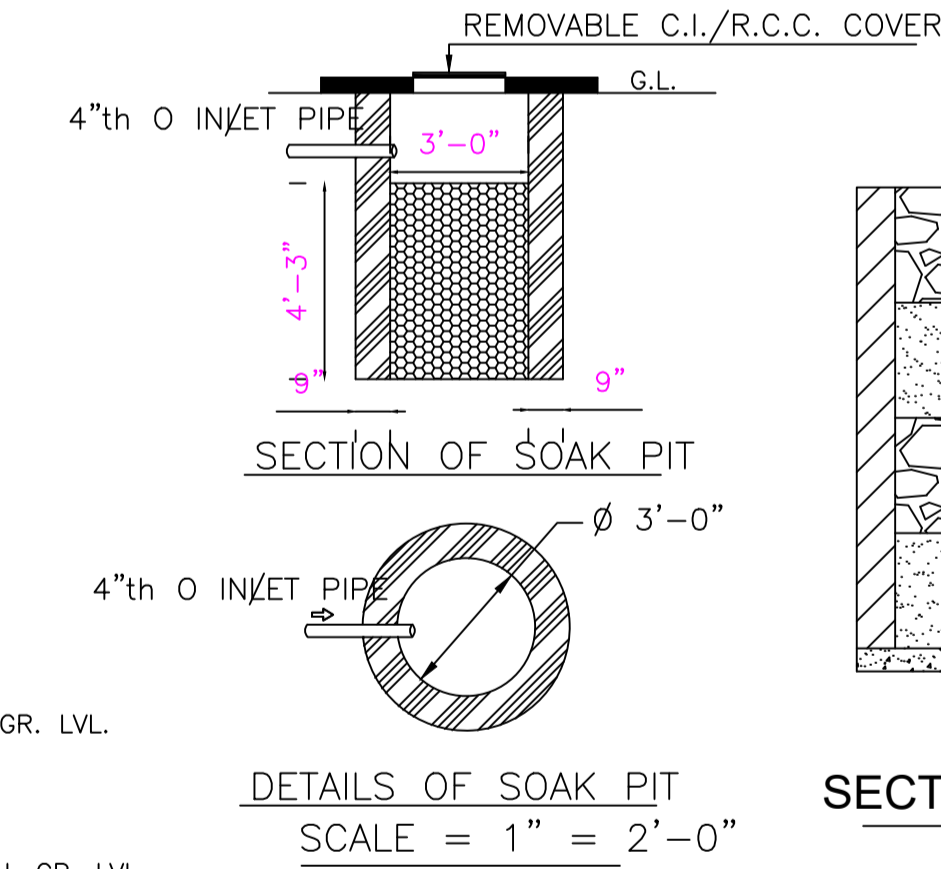
RIGHT SIDE ELEVATION  
SCALE - 1" = 8'-0"



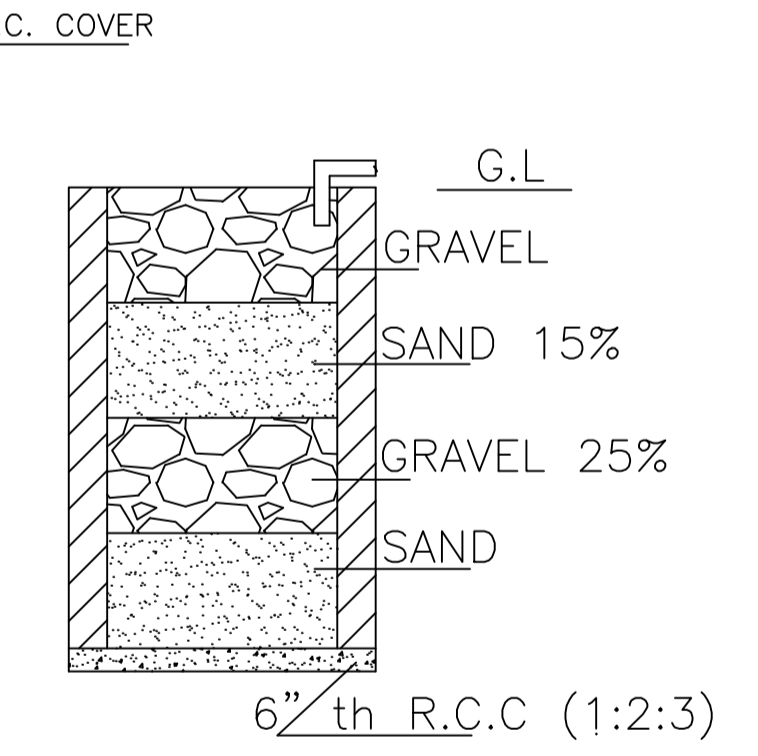
DETAILS OF COLUMN FOUNDATION  
SCALE - 1" = 2'-0"



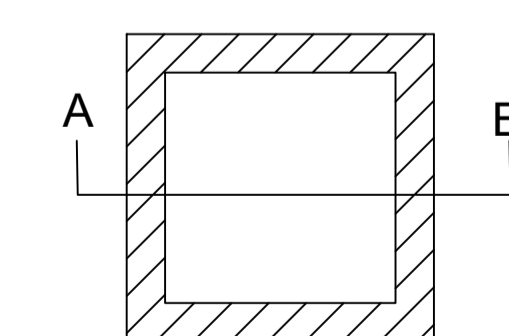
ROOF TOP RAIN WATER COLLECTION SYSTEM  
SCALE = 1" = 4'-0"



DETAILS OF SOAK PIT  
SCALE = 1" = 2'-0"



SECTION ON A - B



DETAILS DRAWING OF RAIN WATER HARVESTING  
SCALE:- 1"=2'-0"

LTP NAME AND SIGNATURE	STRUCTURAL ENG'S NAME AND SIGNATURE	BUILDER NAME AND SIGNATURE	DIGITAL SIGNATURE
RAM PRATAP SINGH MADA/ARC/0024/2019			