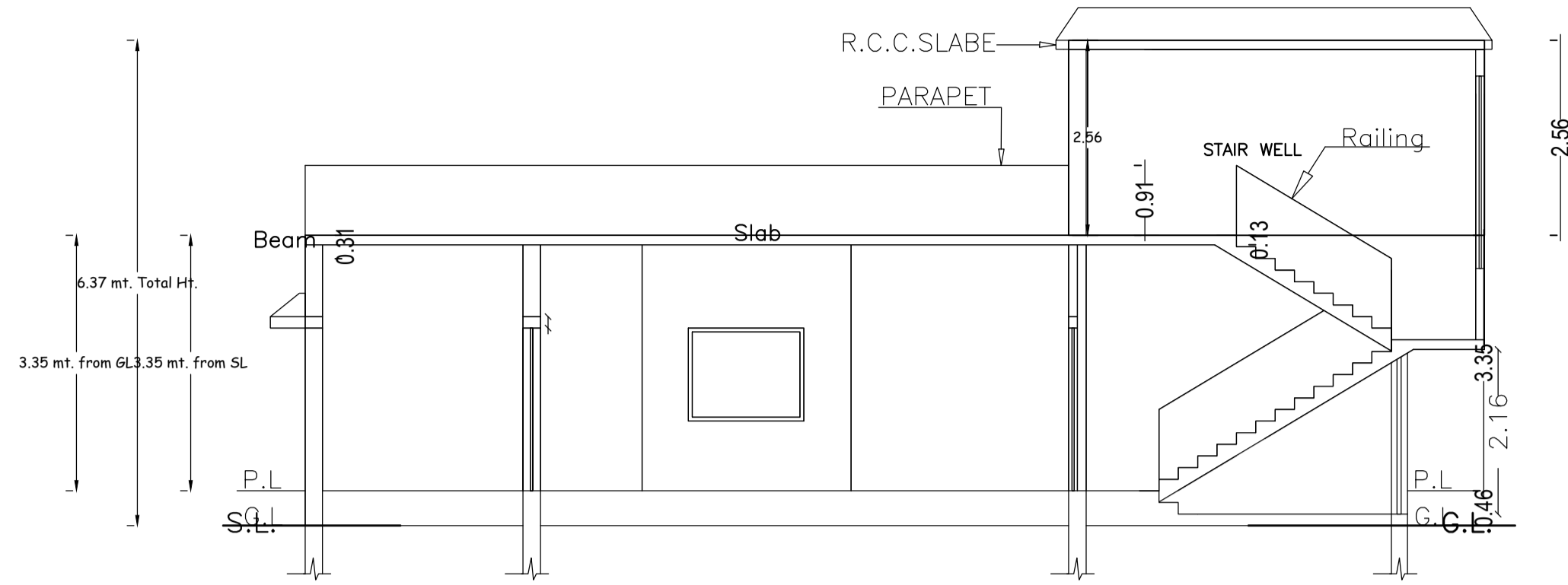
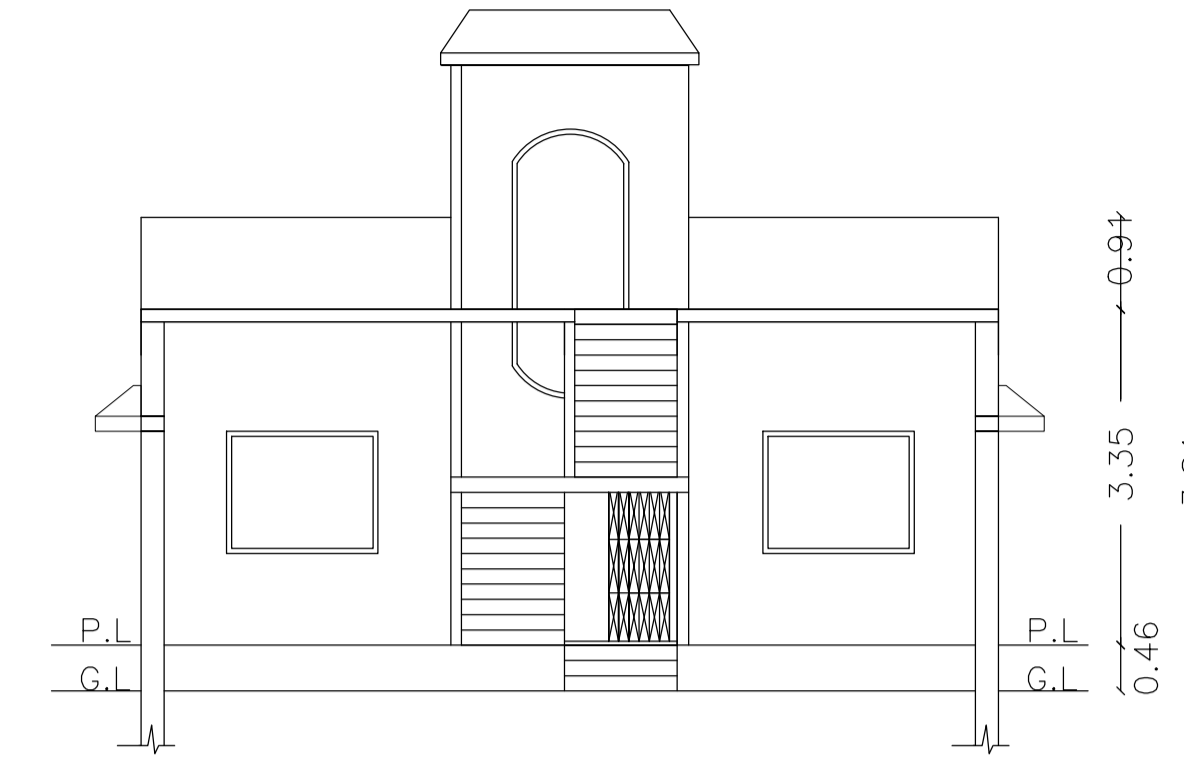


SITE PLAN

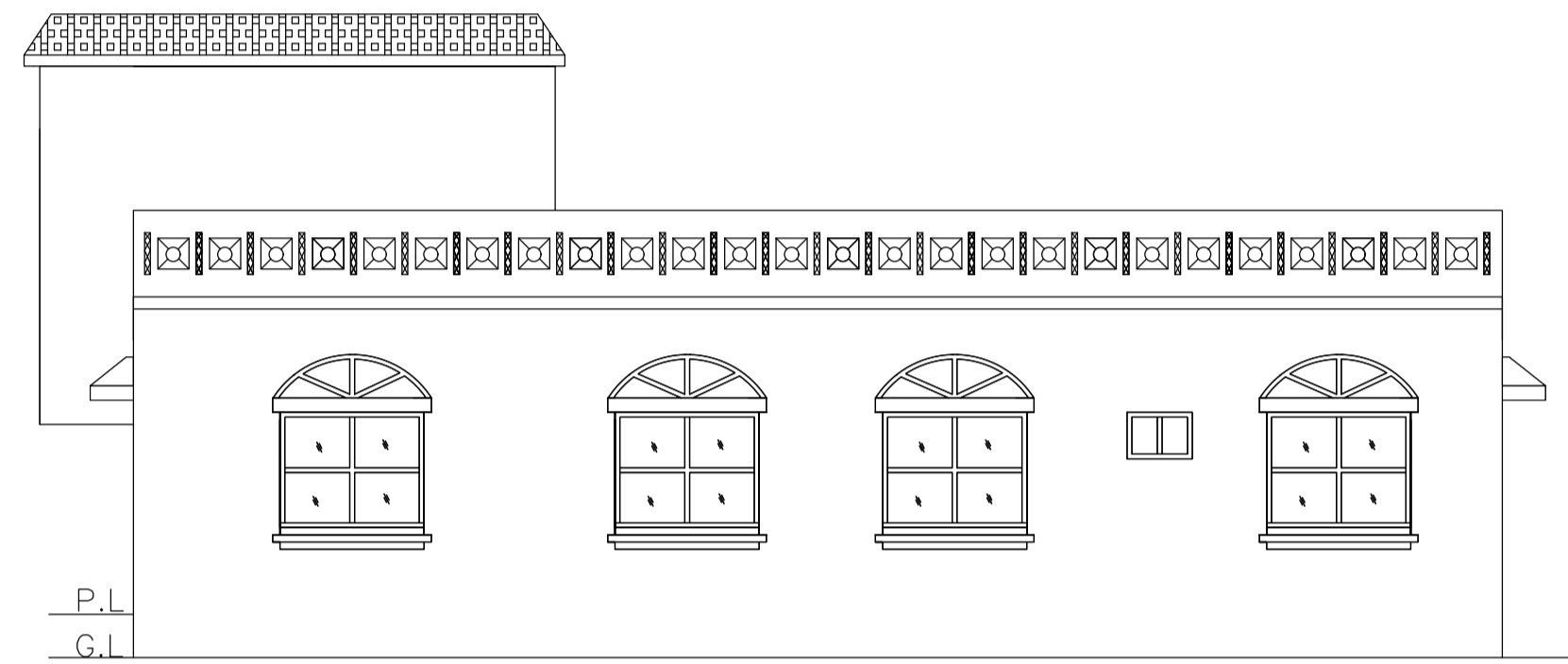
SITE PLAN



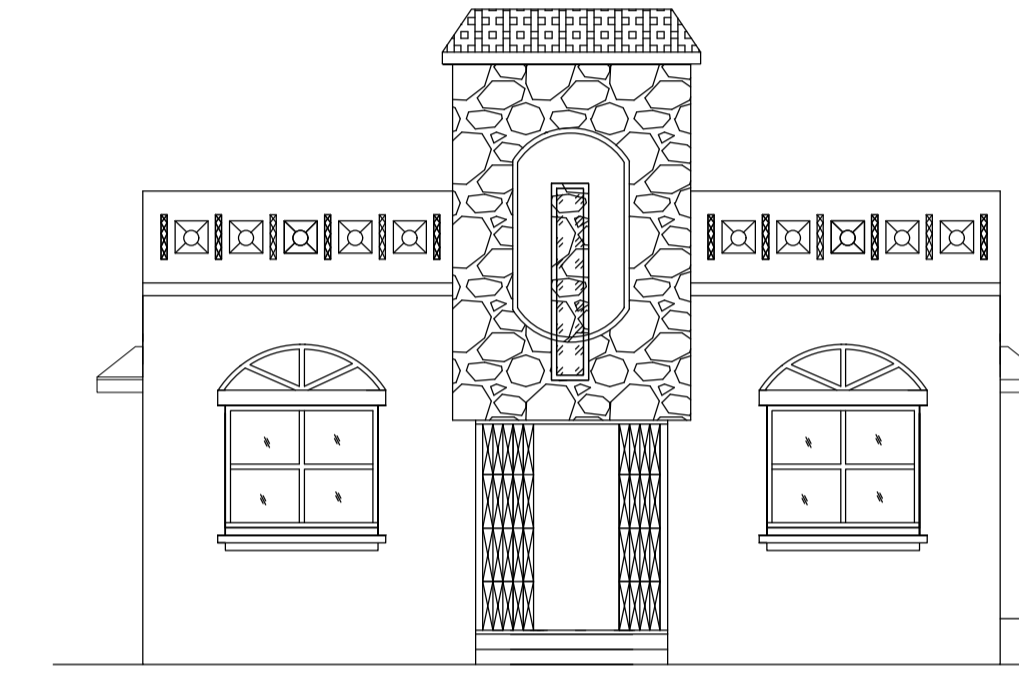
SECTION AT X-X



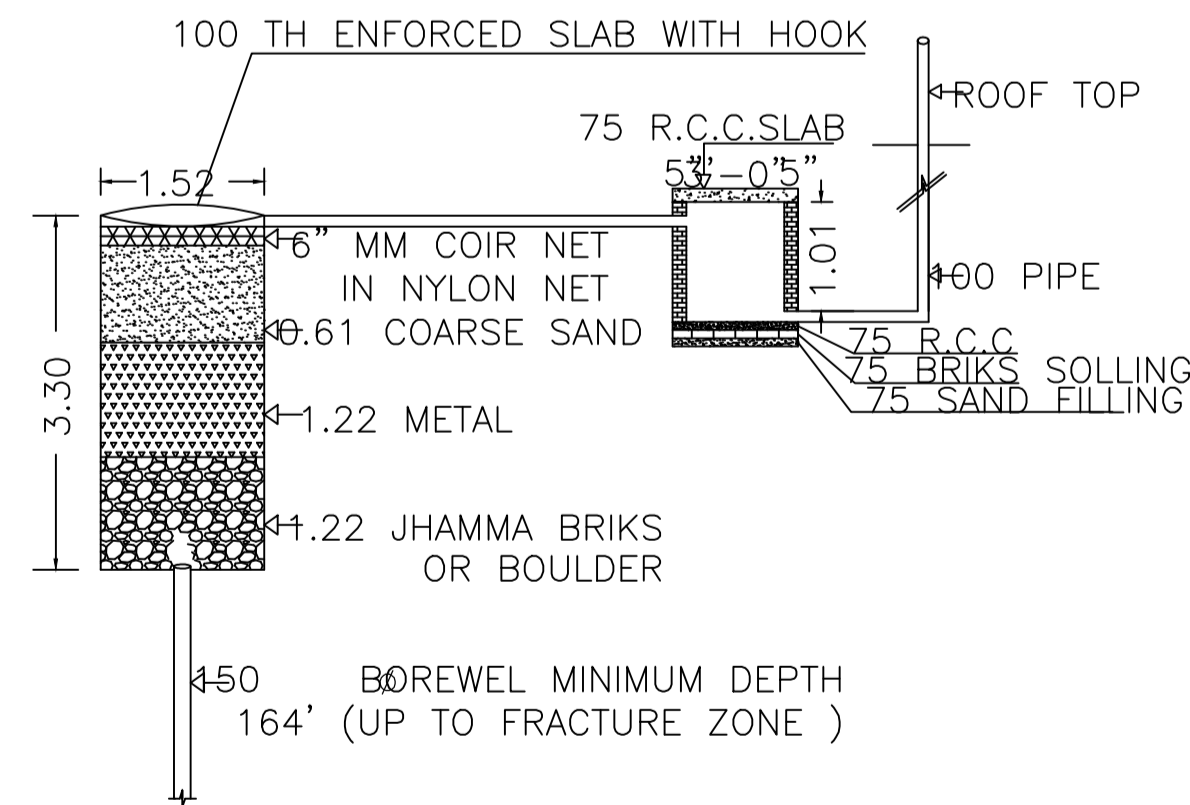
SECTION AT Y-Y



RIGHT SIDE ELEVATION

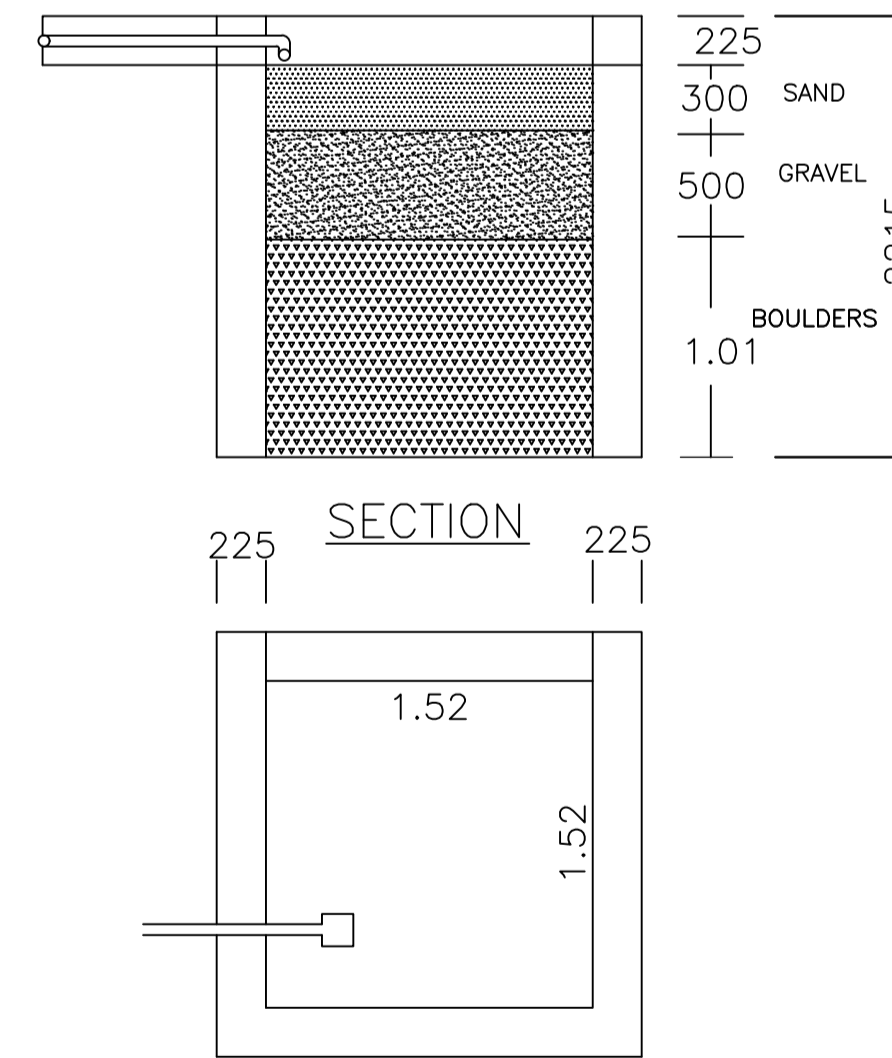


FRONT ELEVATION



DETAIL OF GROUND WATER RECHARGING PIT WITH SILT TANK

NOT TO SCALE



PLAN OF RAIN WATER HARVESTING

(SCALE:-1:25)

Proposal Basic Information

Proposal File No.	MADA/BP/0207/2024
Owner Name	SRI.GOBINDA GHANTI
Khata No	47 (OLD), 58 (NEW)
Plot No	277 (OLD), 694 (NEW)
Village Name	Lowadih
Use	Residential
SubUse	Bungalow/ Dwelling / Non Apartment

AREA STATEMENT MINERAL	VERSION NO.: 1.0.70		
AREA DEVELOPMENT AUTHORITY	VERSION DATE: 16/10/2020		
PROJECT DETAIL:			
Region: JHARKHAND URBAN LOCAL BODIES	Plot Use: Residential		
District: DHANBAD	Plot SubUse: Bungalow/ Dwelling / Non Apartment		
Authority: MINERAL AREA DEVELOPMENT AUTHORITY	PlotNearby/ReligiousStructure: NA		
Inward No: MADA/BP/0207/2024	Plot/SubPlot No: 277 (OLD), 694 (NEW)		
Application Type: General Proposal	North: Plot No. - KAMAL KUMBHAKAR		
Project Type: Building Permission	South: Plot No. - VENDOR'S SELF		
Nature of Development: New	East: Road Width - 3.66		
Location of Development Area: Old Area	West: Plot No. - HIRA LAL GHANTI		
AREA DETAILS:			
AREA OF PLOT (Minimum)	(A)	SQ.MT.	282.69
NET AREA OF PLOT(Gross Plot Area - Deduction from Gross Plot area)	(A-Deductions)		282.69
Deduction for Balance Plot Area(from Gross Plot Area)			
Common Plot			56.56
Total			56.56
BALANCE AREA OF PLOT(Net Plot Area - Recreational/Amenity space)	(A-Deductions)		226.13
PLOT AREA FOR COVERAGE(Net Plot Area)	(A-Deductions)		282.69
Plot Area for FAR (Net Plot Area + Road Widening Area)	(A-Deductions)		282.69
COVERAGE CHECK			
Permissible Coverage area (60.00 %)			169.61
Proposed Coverage Area (43.84 %)			123.93
Total Prop. Coverage Area (43.84 %)			123.93
Balance coverage area (16.16 %)			45.68
FAR CHECK			
Perm. FAR Area (1.500)			424.04
Total Perm. FAR area			424.04
Residential FAR			123.93
Proposed FAR Area			123.93
Total Proposed FAR Area			123.93
Consumed FAR (Factor)			0.44
Balance FAR Area			300.11
BUILT UP AREA CHECK			
Total Proposed BuiltUp Area			123.93
ARCHITECT (Regd)			ANIL KUMAR CHAUDHARY
ENGINEER (Regd)			
SUPERVISOR (Regd)			
OWNER (Regd)			SRI.GOBINDA GHANTI
DEVELOPMENT AUTHORITY			LOCAL BODY

COLOR INDEX	
PLOT BOUNDARY	Black
ABUTTING ROAD	Green
PROPOSED CONSTRUCTION	Red
COMMON PLOT	Yellow
ROAD WIDENING AREA	Blue
EXISTING (To be retained)	Orange
EXISTING (To be demolished)	Light Blue

UnitBUA Table for Building :RESI (GOBINDA)

FLOOR	Name	UnitBUA Type	UnitBUA Area	Carpet Area	No. of Rooms	No. of Tenement
GROUND FLOOR PLAN	SPLIT 1	FLAT	123.93	121.51	9	1
Total:	-	-	123.93	121.51	9	1

SCHEDULE OF DOOR:

BUILDING NAME	NAME	LENGTH	HEIGHT	NOS
RESI (GOBINDA)	D	0.71	2.10	02
RESI (GOBINDA)	D	0.73	2.10	02
RESI (GOBINDA)	D	0.82	2.10	02
RESI (GOBINDA)	D	0.96	2.10	01
RESI (GOBINDA)	D	1.07	2.10	02

SCHEDULE OF WINDOW/VENTILATION:

BUILDING NAME	NAME	LENGTH	HEIGHT	NOS
RESI (GOBINDA)	W	0.57	1.20	02
RESI (GOBINDA)	W	1.49	1.20	01
RESI (GOBINDA)	W	1.51	1.20	04
RESI (GOBINDA)	W	1.52	1.20	03
RESI (GOBINDA)	W	1.55	1.20	03
RESI (GOBINDA)	W	1.68	1.20	02

Building :RESI (GOBINDA)

Floor Name	Total Built Up Area (Sq.mt.)	Proposed FAR Area (Sq.mt.)	Total FAR Area (Sq.mt.)	Total Consumed Additional FAR Area (Sq.mt.)	Tnmt (No.)
Ground Floor	123.93	123.93	123.93	123.93	01
Terrace Floor	0.00	0.00	0.00	0.00	00
Total:	123.93	123.93	123.93	123.93	01
Total Number of Same Buildings :	1				
Total:	123.93	123.93	123.93	123.93	01

Buildingwise Floor FAR Details

Floor Name	Building Name		Total	
	Proposed Built Up Area (Sq.mt.)	Proposed FAR Area (Sq.mt.)	Total Proposed Built Up Area (Sq.mt.)	Total FAR Area (Sq.mt.)
Ground Floor	123.93	123.93	123.93	123.93
Terrace Floor	0.00	0.00	0.00	0.00
Total :	123.93	123.93	123.93	123.93

Building USE/SUBUSE Details

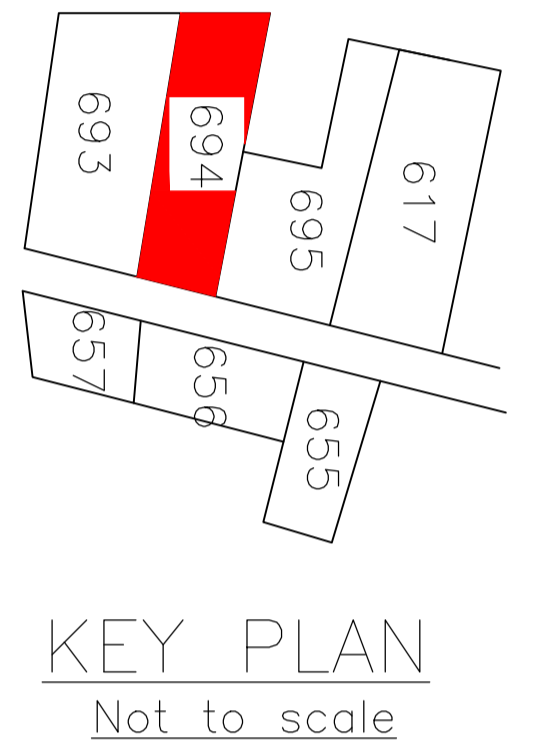
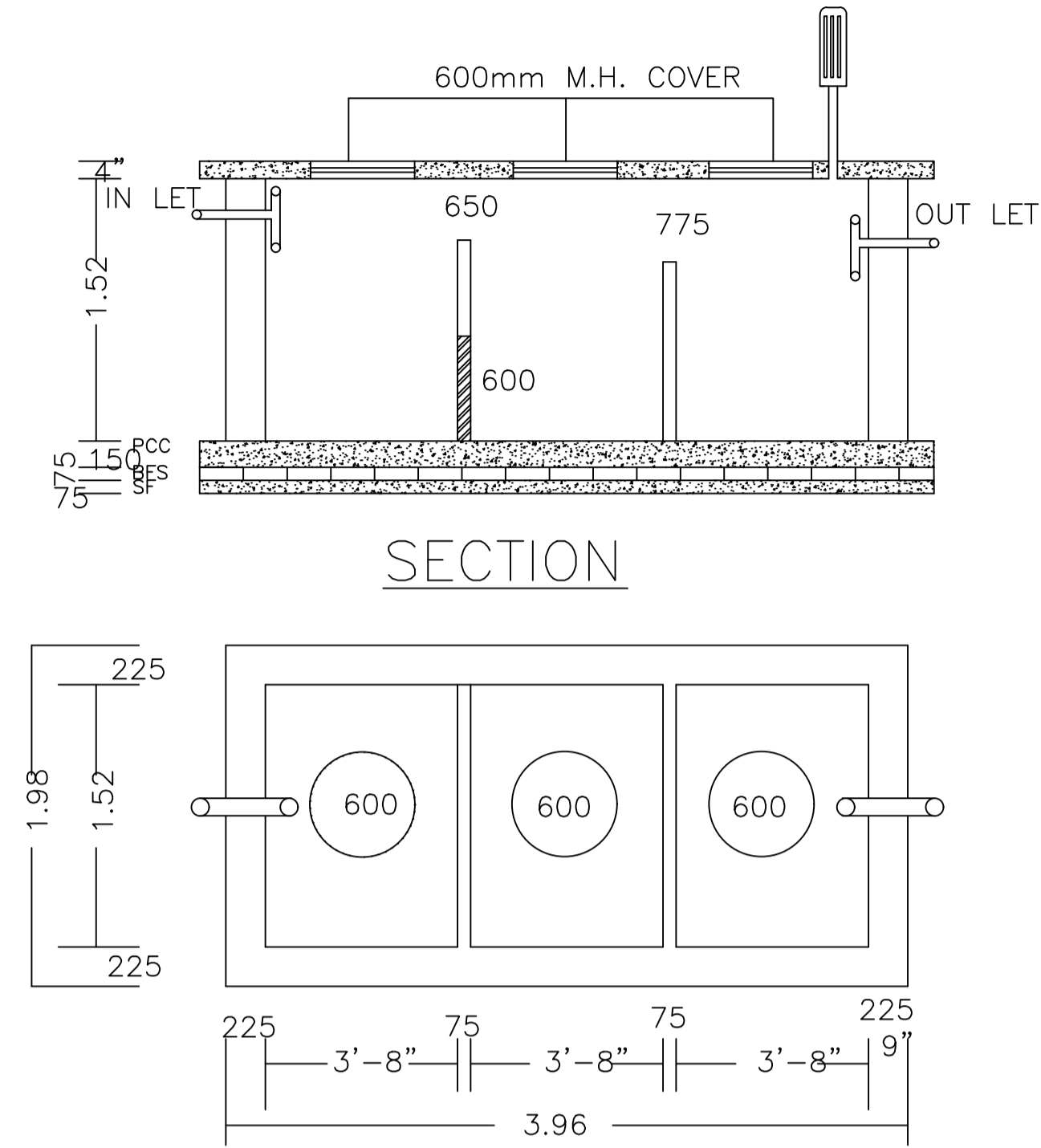
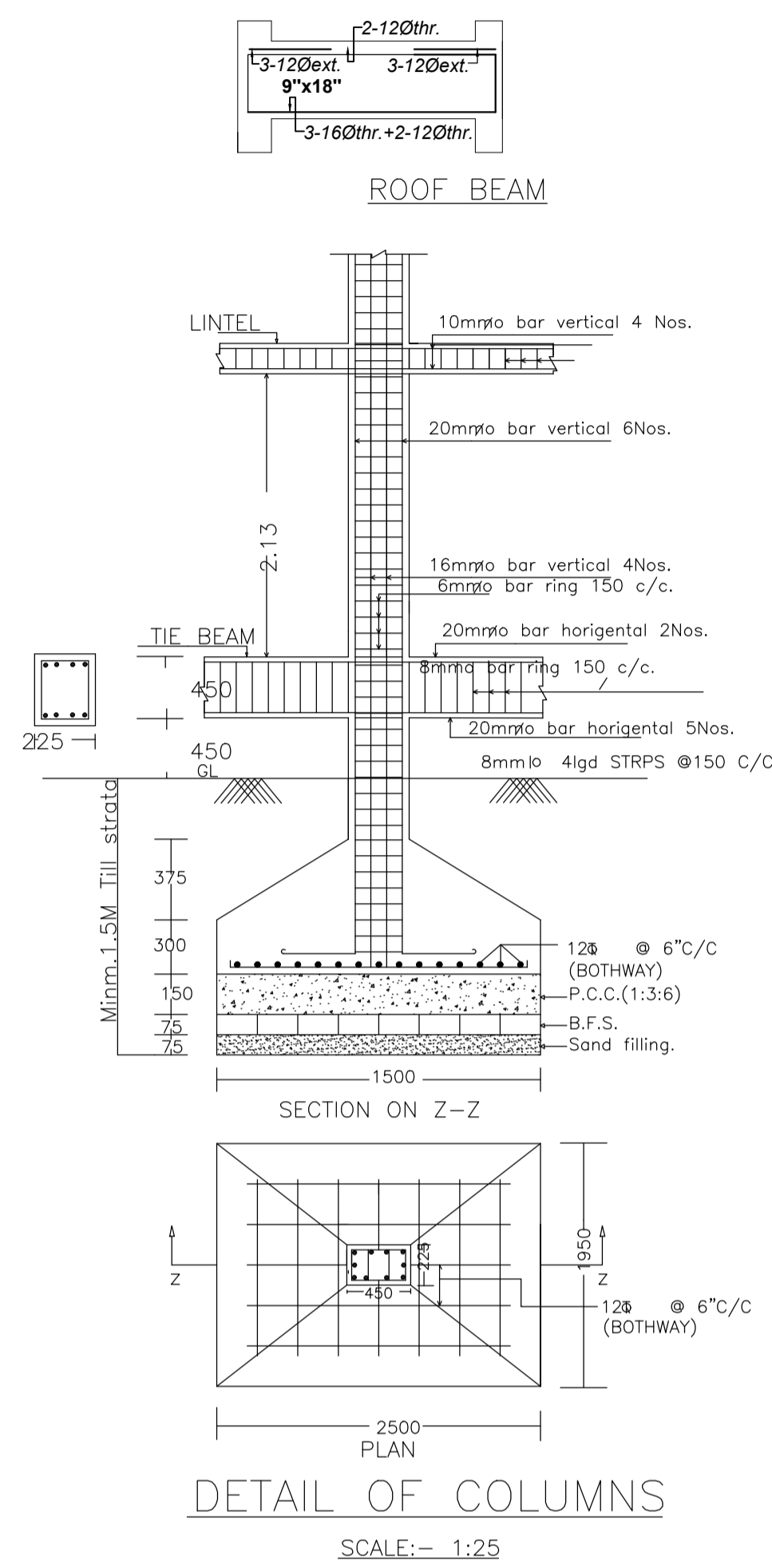
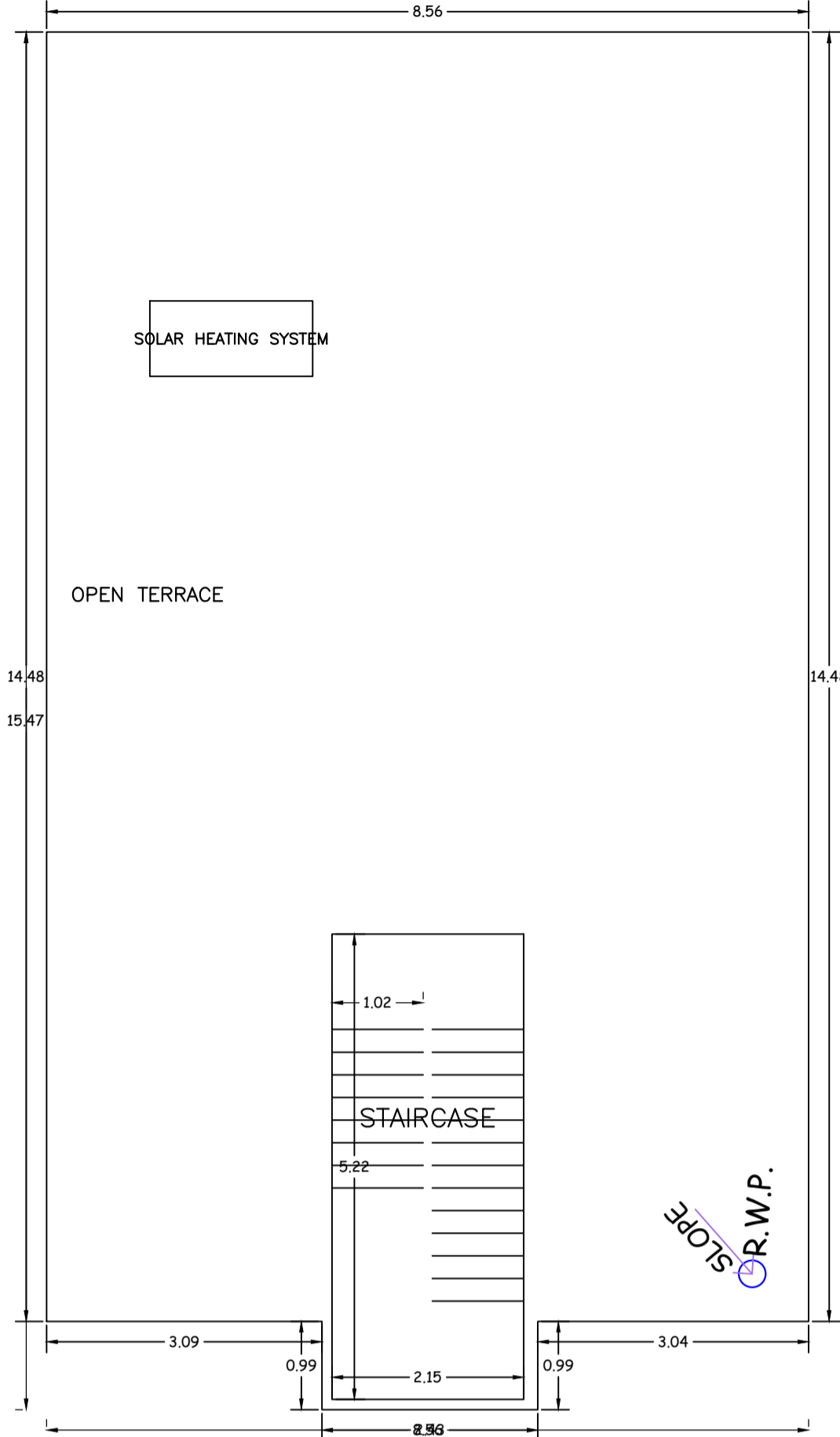
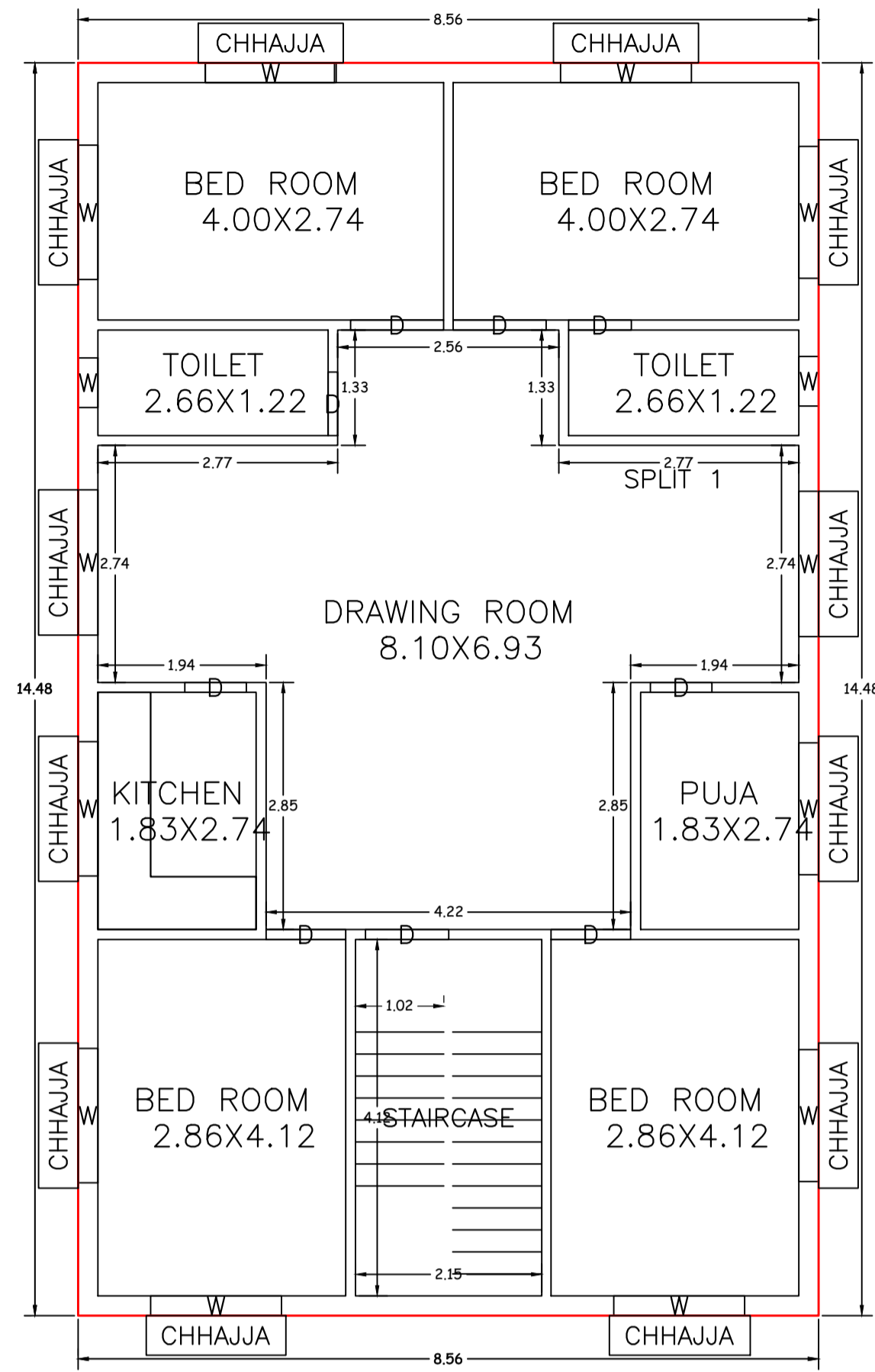
Building Name	Building Use	Building SubUse	Building Structure
RESI (GOBINDA)	Residential	Bungalow/ Dwelling / Non Apartment	Non-Highrise

FAR & Tenement Details (Table 4c-1)

Building	No. of Same Bldg	Total Built Up Area (Sq.mt.)	Proposed FAR Area (Sq.mt.)	Total FAR Area (Sq.mt.)	Total Consumed Additional FAR Area (Sq.mt.)	Tnmt (No.)
RESI (GOBINDA)	1	123.93	123.93	123.93	123.93	01
Grand Total :	1	123.93	123.93	123.93	123.93	01

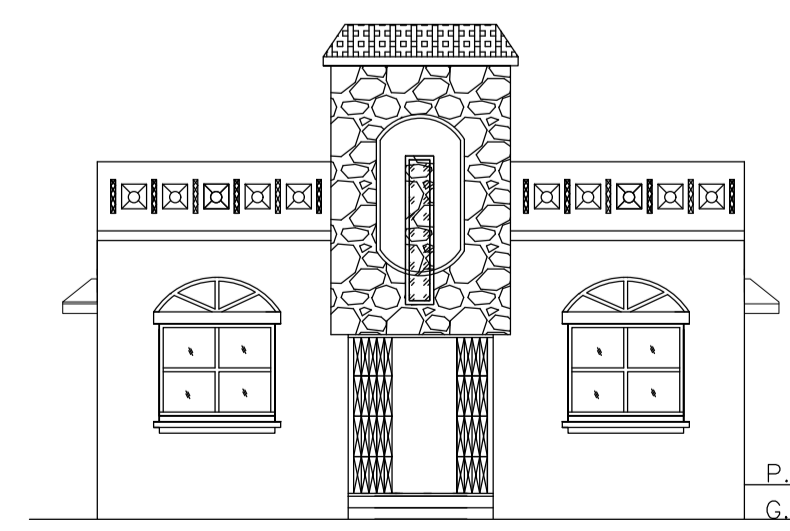
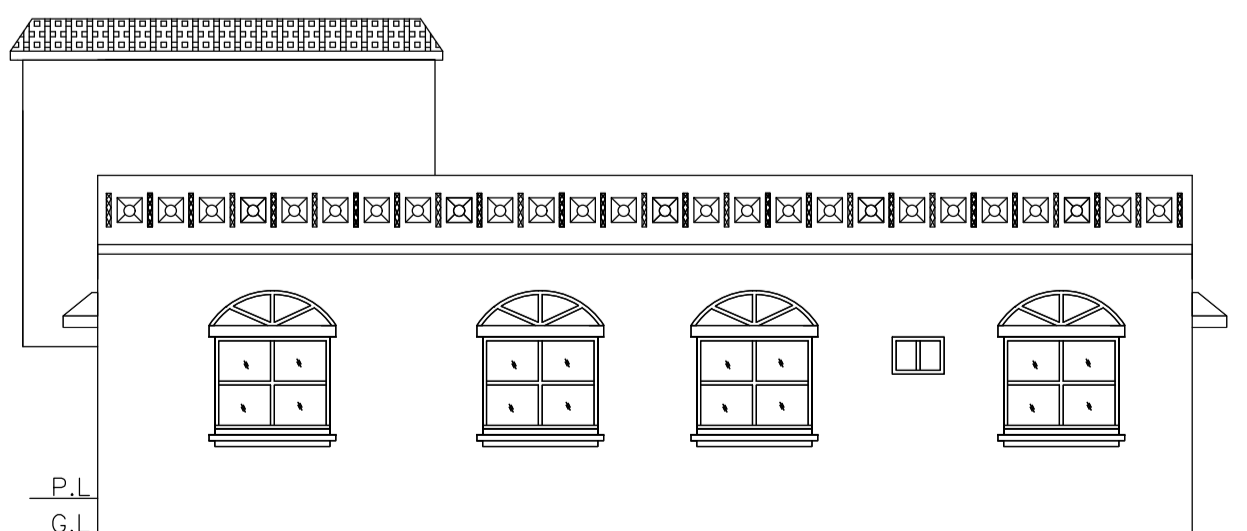
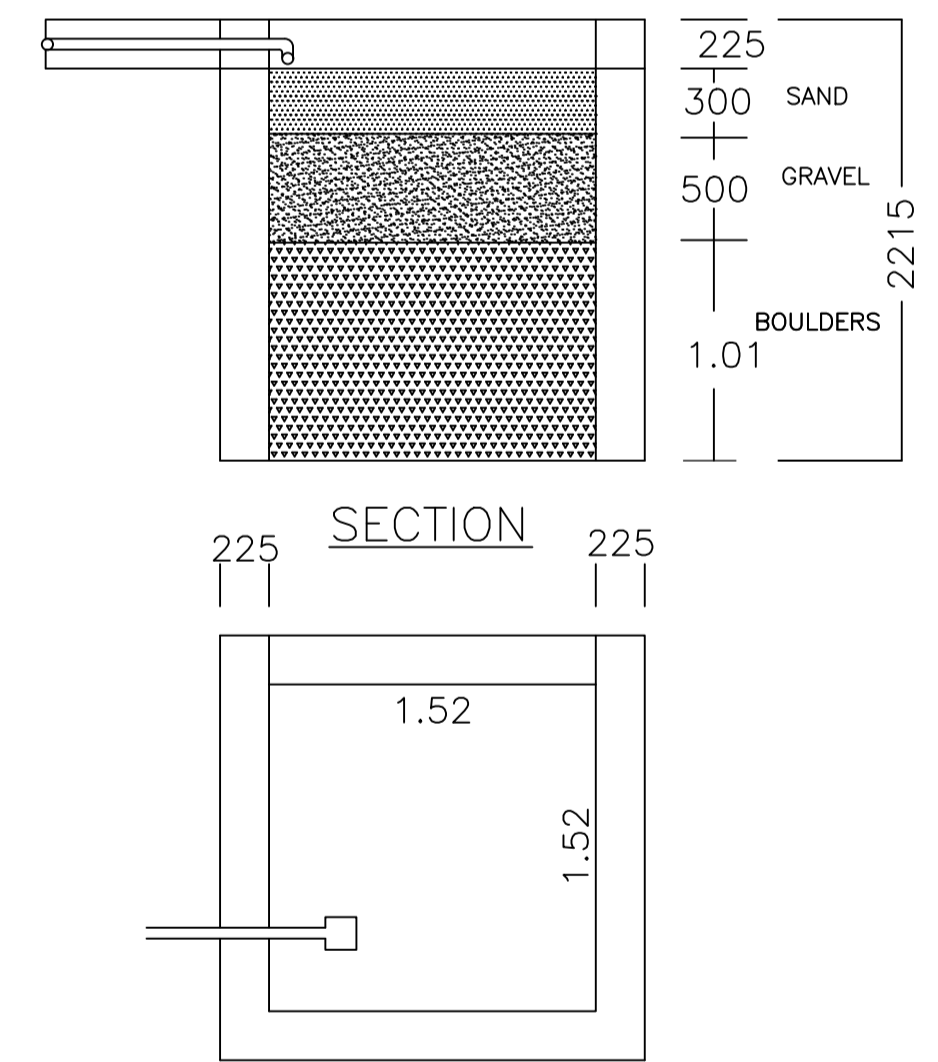
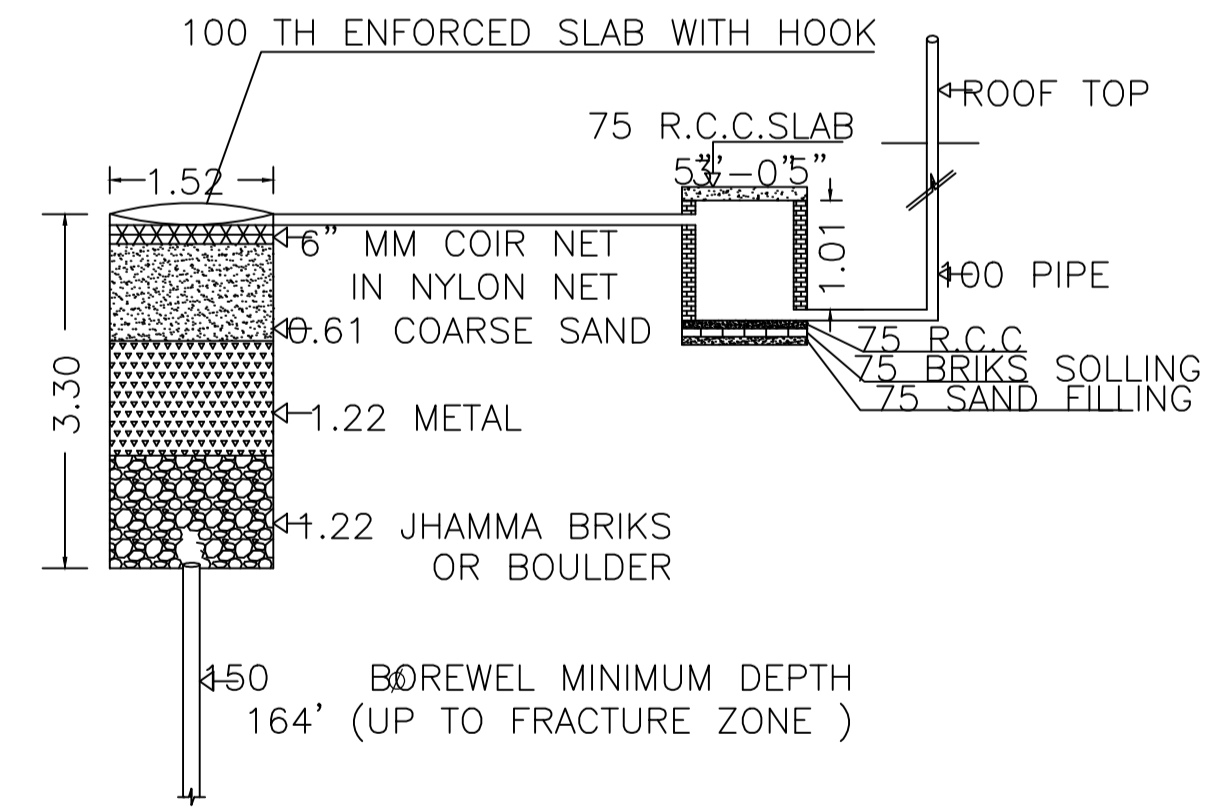
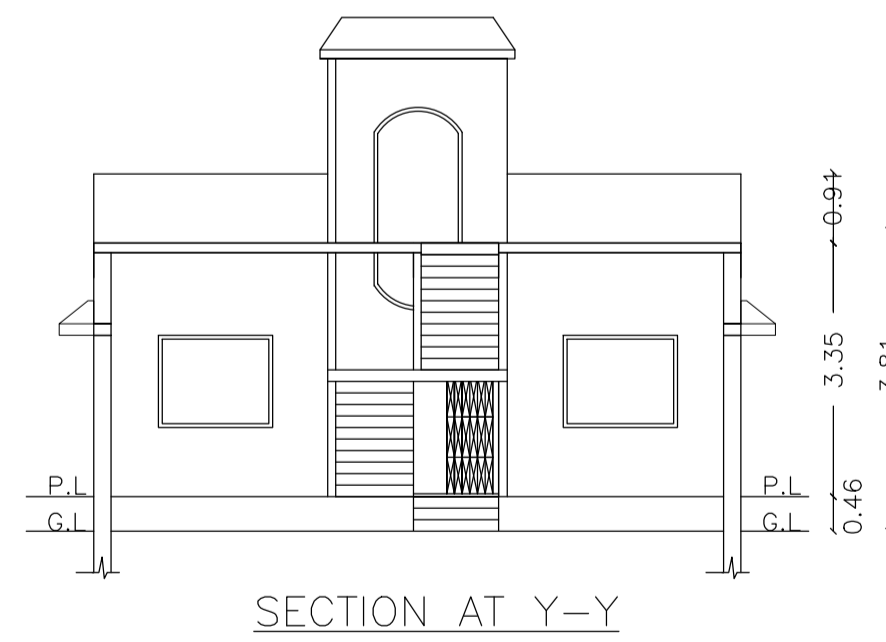
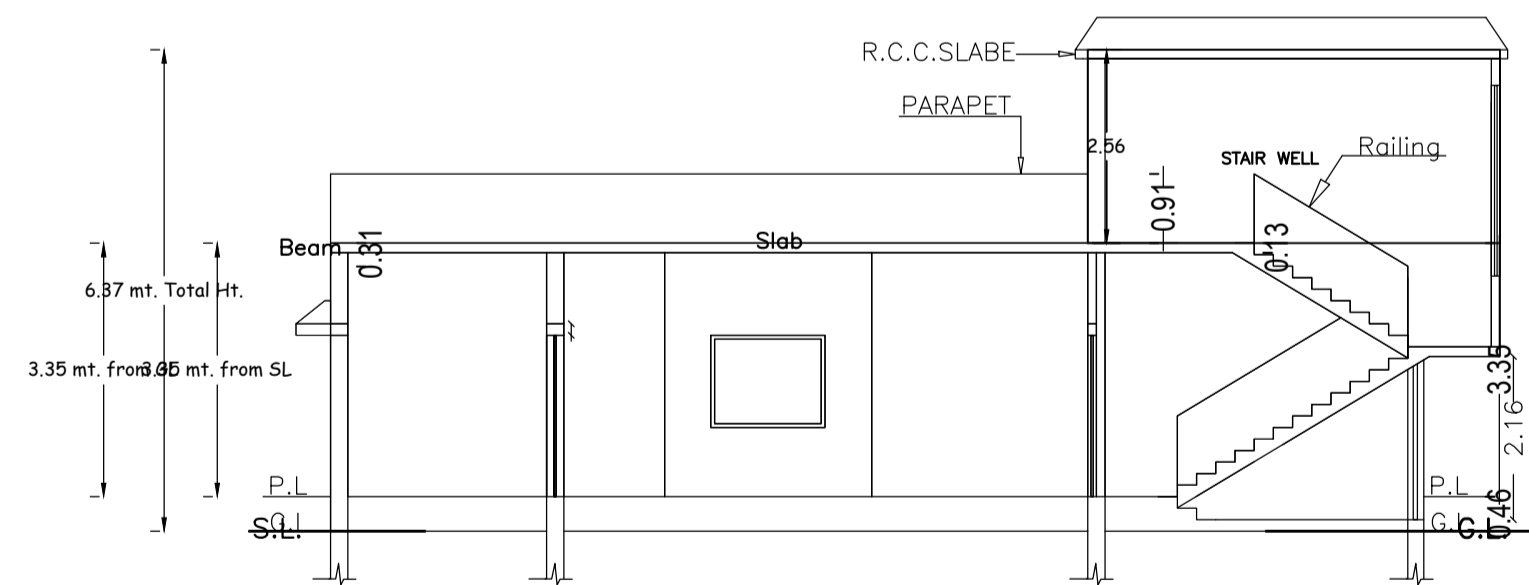
LTP NAME AND SIGNATURE ANIL KUMAR CHAUDHARY MADA/ENG/0005/2019	STRUCTURAL ENG'S NAME AND SIGNATURE	BUILDER NAME AND SIGNATURE	DIGITAL SIGNATURE
--	-------------------------------------	----------------------------	-------------------

Proposal Basic Information	
Proposal File No.	MADA/BP/0207/2024
Owner Name	SRI.GOBINDA GHANTI
Khata No	47 (OLD), 58 (NEW)
Plot No	277 (OLD), 694 (NEW)
Village Name	Lowadih
Use	Residential
SubUse	Bungalow/ Dwelling / Non Apartment



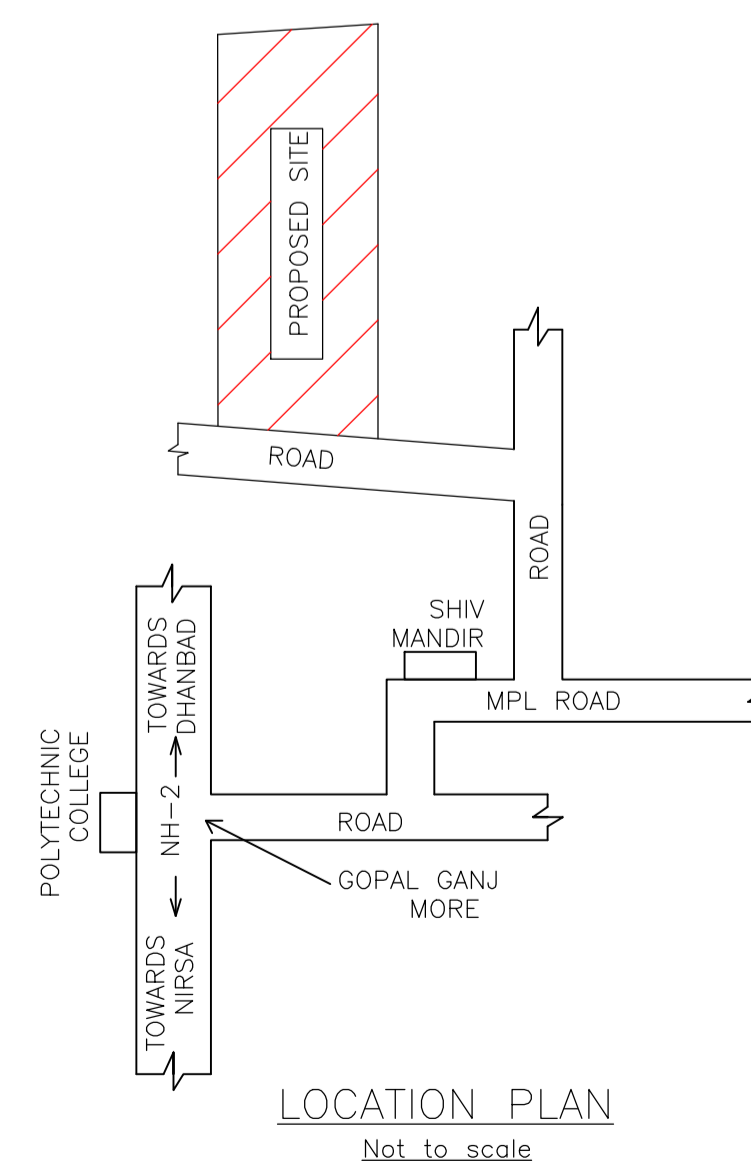
GROUND FLOOR PLAN (Proposed) (SCALE 1:100)

TERRACE FLOOR PLAN (SCALE 1:100)



DETAIL OF GROUND WATER RECHARGING PIT WITH SILT TANK NOT TO SCALE

PLAN OF RAIN WATER HARVESTING (SCALE:-1:25)



LTP NAME AND SIGNATURE	STRUCTURAL ENG'S NAME AND SIGNATURE	BUILDER NAME AND SIGNATURE	DIGITAL SIGNATURE
ANIL KUMAR CHAUDHARY MADA/ENG/0005/2019			