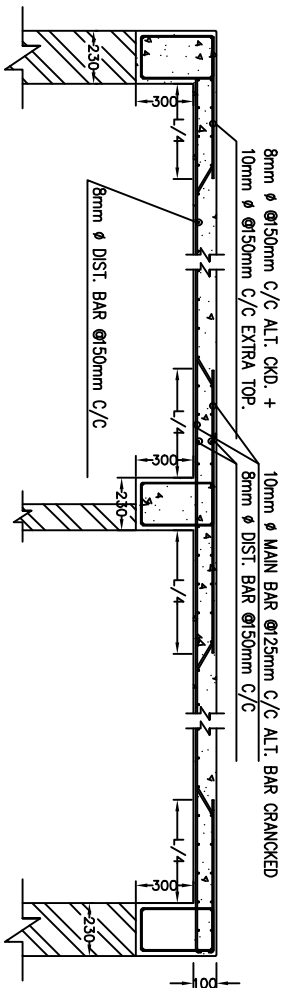
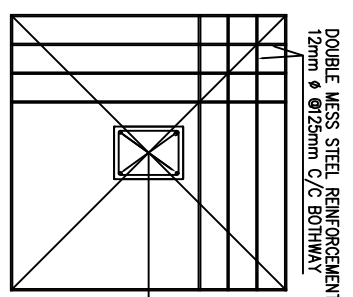
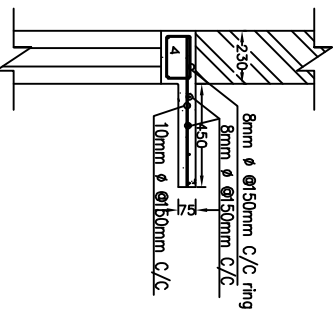


TYPICAL SECTION OF FOUNDATION



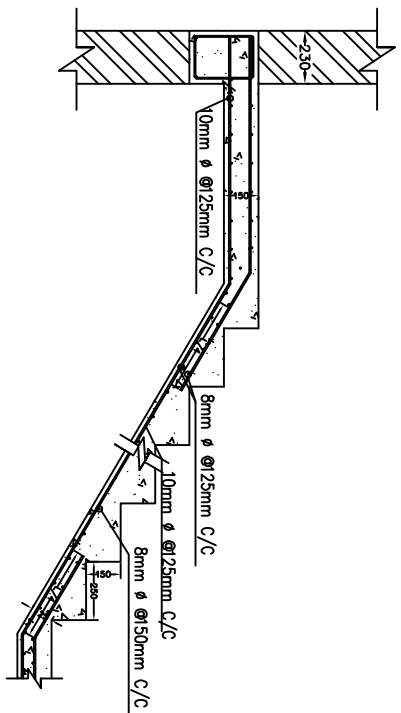
TYPICAL DETAIL OF RCC ROOF SLAB

DET. OF R.C.C. CHAJJA



DOUBLE MESS STEEL REINFORCEMENT
12mm φ @125mm C/C BOTHWAY

VERTICAL : AS PER COLUMN TABLE
RING : 8φ @ 150 C/C
1/2/3 SETS AS REQD.



TYPICAL DETAIL OF RCC STAIR