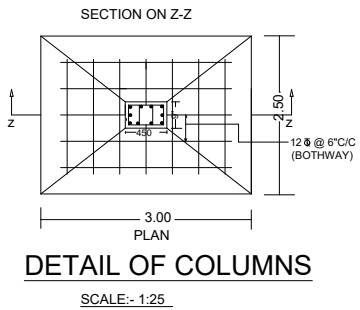
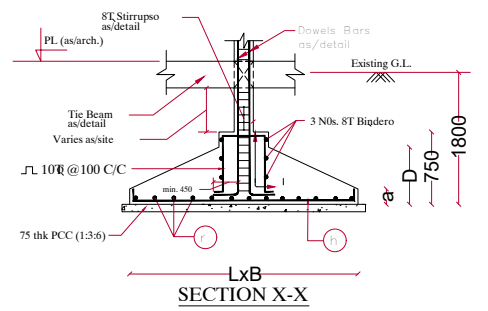


Typical arrangement of Links  
(8R @ 200 C/C if 16 T & above is used as column Reinforcement)  
(8R @ 175 C/C if 12 T is used as column Reinforcement)

REINFORCEMENT DETAIL OF COLUMNS			
Column Nos.	C1	C2	C3
Floor			
SIZE (MMS)			
FOUNDATION TO ROOF			
	<ul style="list-style-type: none"> <li>4- 16<math>\phi</math></li> <li>4- 12<math>\phi</math></li> </ul>	<ul style="list-style-type: none"> <li>10- 16<math>\phi</math></li> </ul>	<ul style="list-style-type: none"> <li>12- 16<math>\phi</math></li> <li>4- 16<math>\phi</math></li> </ul>
SIZE (MMS)	(450x250)	(500x250)	(500x500)

DETAIL OF FOOTINGS					
FOOTING MARKS	L x B	D a	REINFORCEMENT DETAILS		
			h	r	
F1	1800 x 1800	400	175	10T @ 125 C/Co	10T @ 125 C/Co
F2	2100 x 2100	450	200	10T @ 125 C/Co	10T @ 125 C/Co
F3	2400 x 2400	500	225	10T @ 125 C/Co	10T @ 125 C/Co
COMBINED FOOTING					
F4	2100 x 4200	600	275	10T @ 125 C/Co	10T @ 125 C/Co



PROJECT:-	Proposed Building	
TITLE:-	PLAN & STRUCTURAL RCC DETAILS FOR FOUNDATION	
CLIENT:-		
SCALE - 1:100	DRG NO: GR/BS-SA/B'	
DRAWN BY:	DATE:	