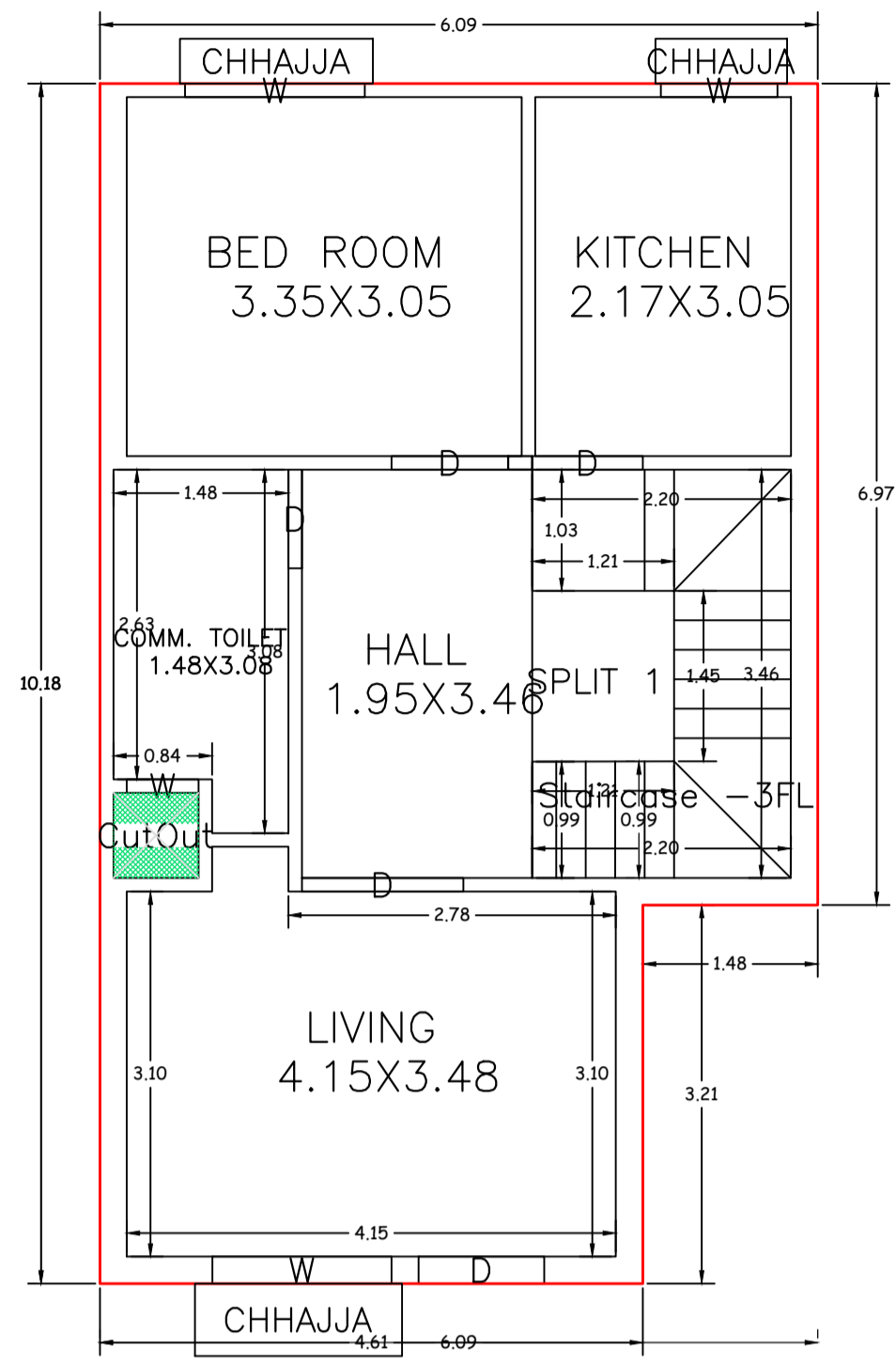
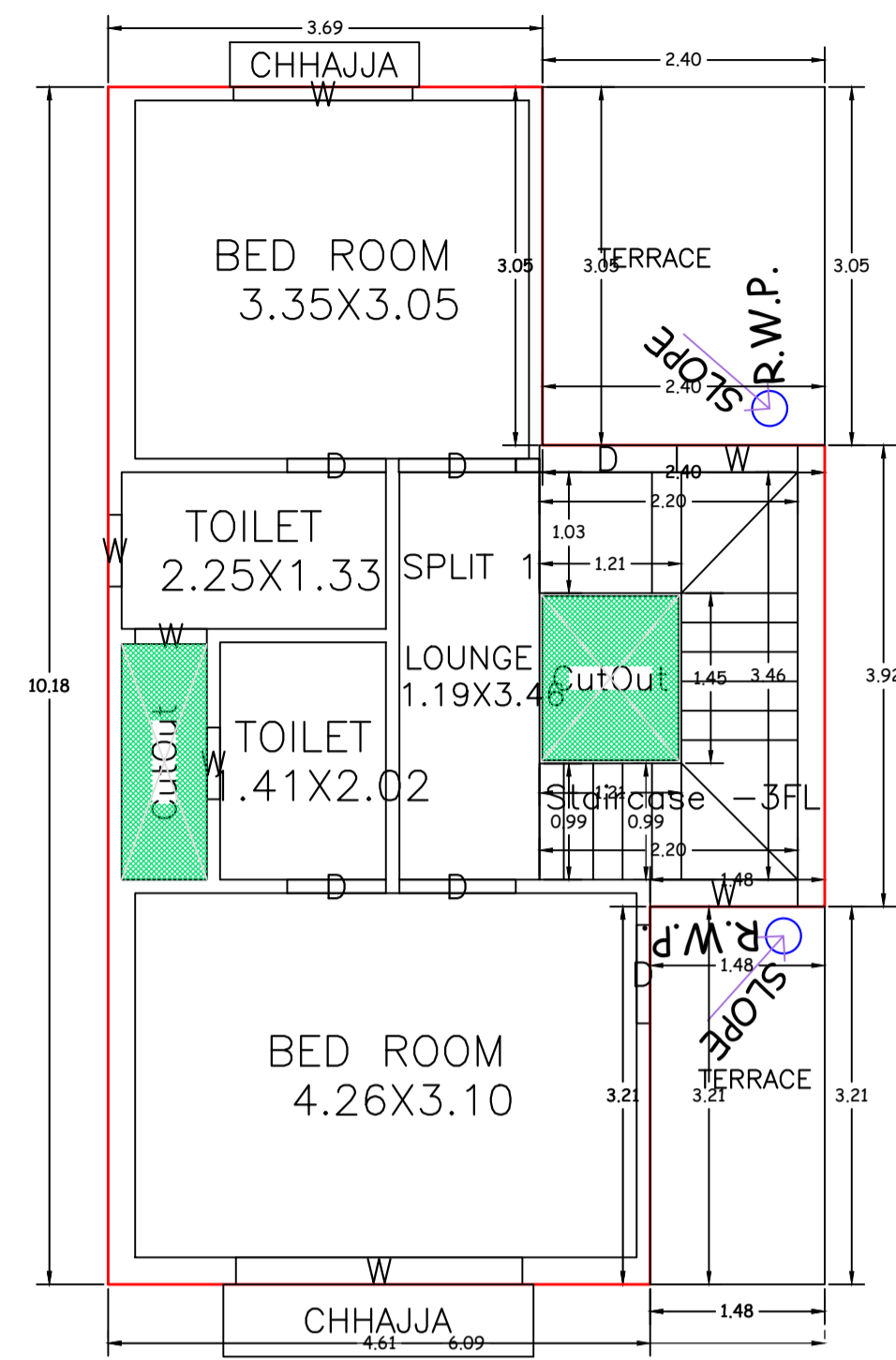


Proposal Basic Information

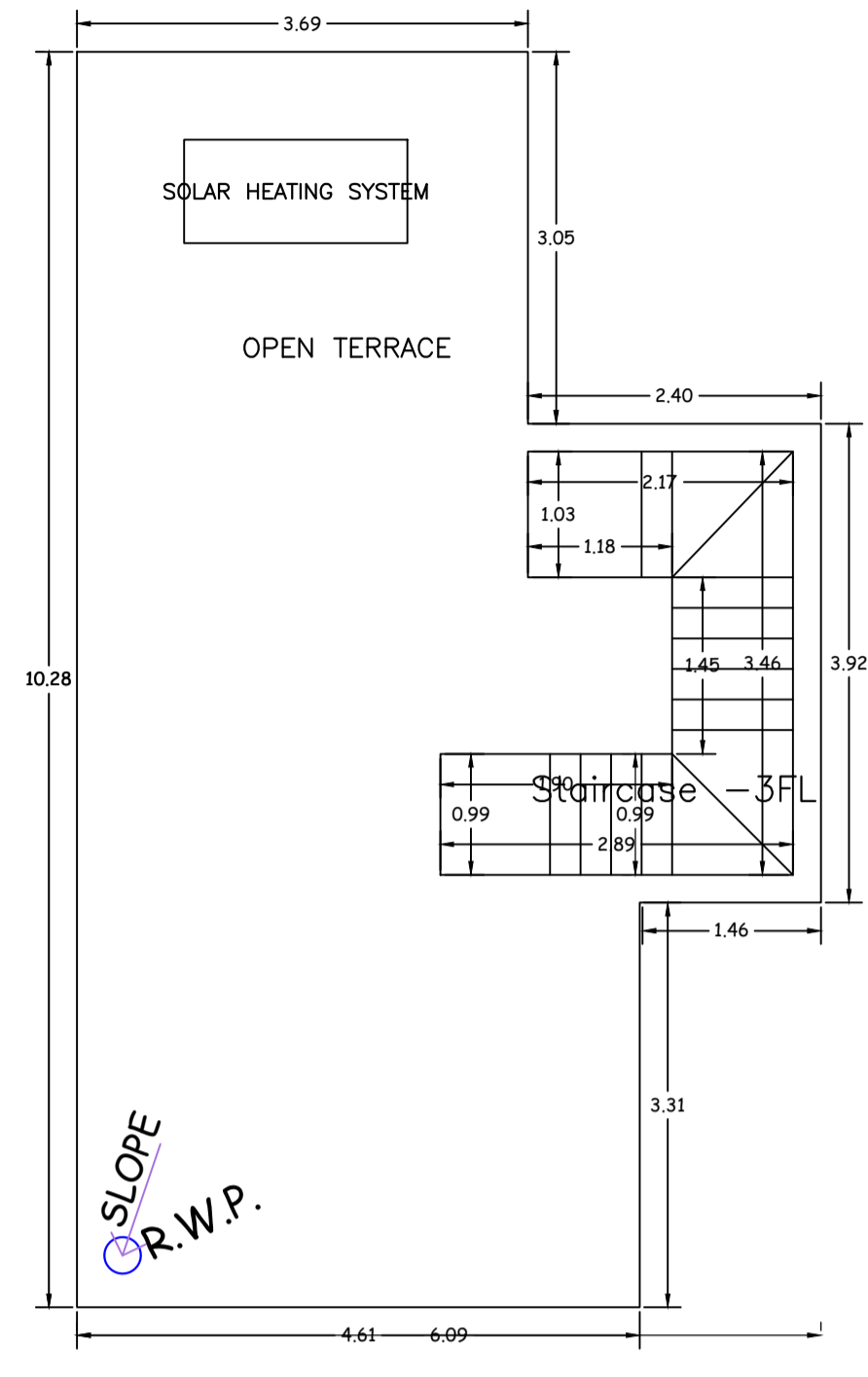
Proposal File No.	MADA/BP/0337/2024
Owner Name	SMT.SANGITA AGARWAL
Khata No	11 (OLD), 220 (NEW)
Plot No	725 (OLD), 516 (NEW)
Village Name	Amaghata
Use	Residential
SubUse	Bungalow/ Dwelling / Non Apartment



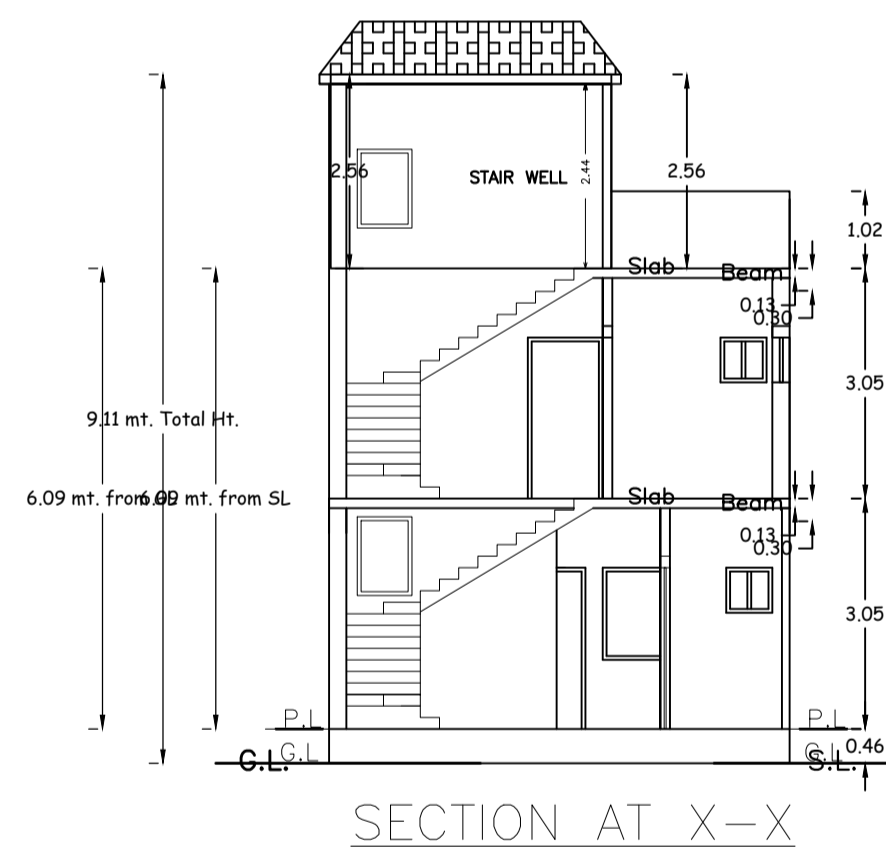
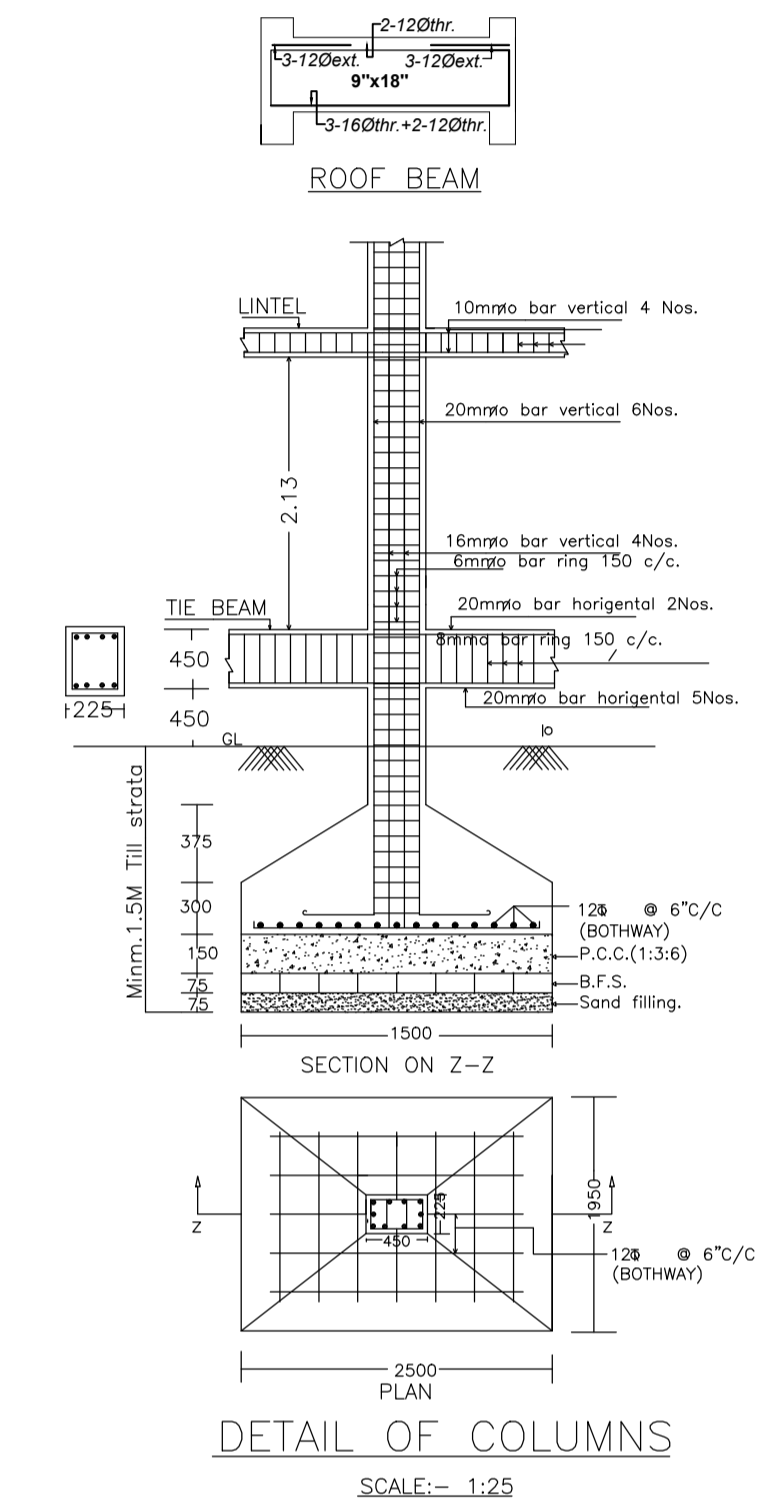
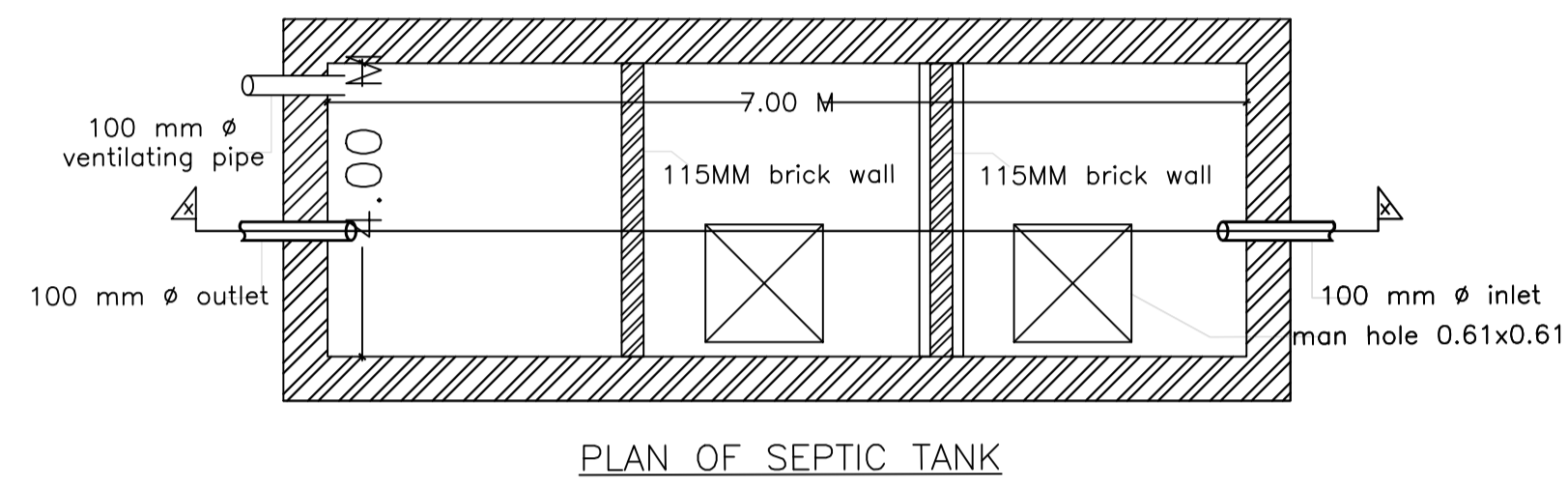
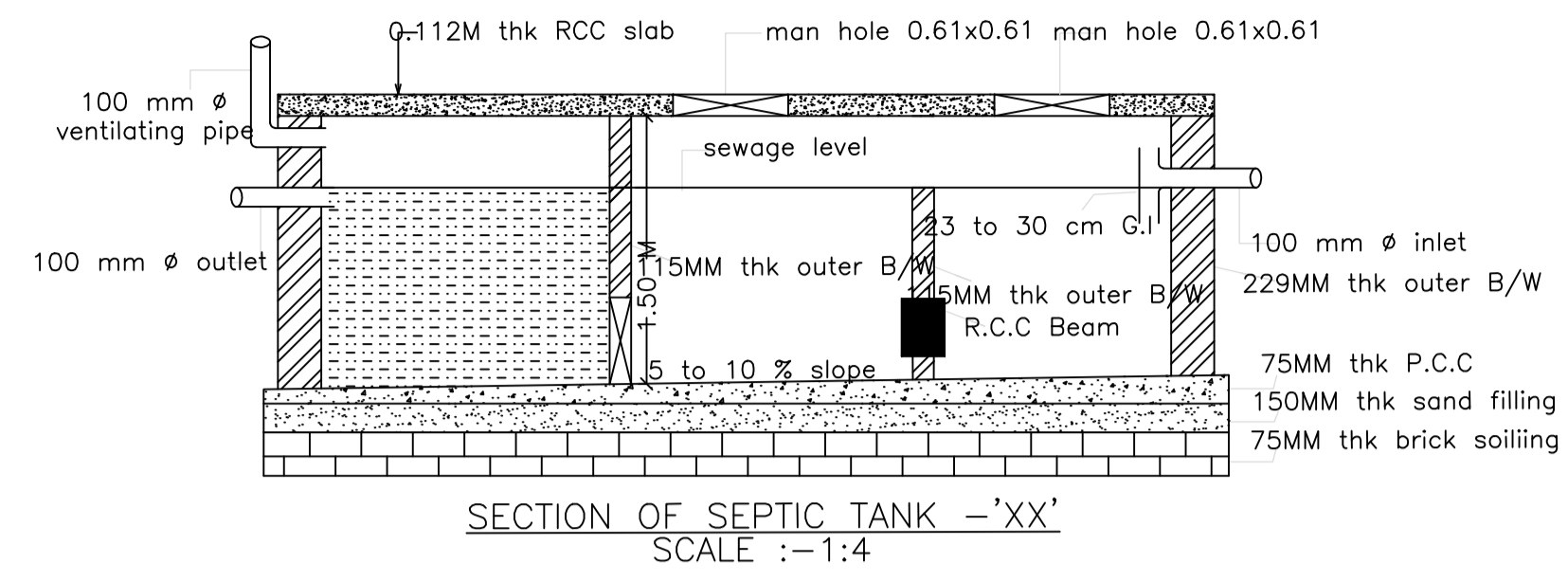
GROUND FLOOR PLAN
(Proposed)
(SCALE 1:100)



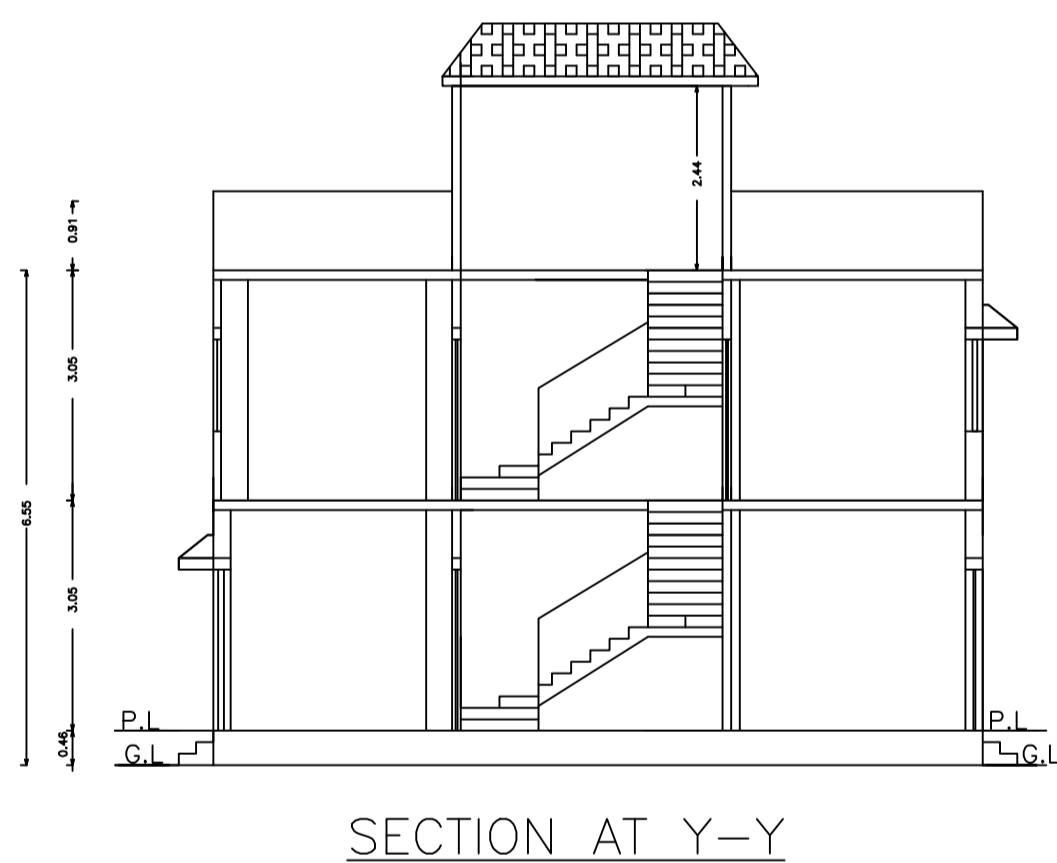
FIRST FLOOR PLAN
(Proposed)
(SCALE 1:100)



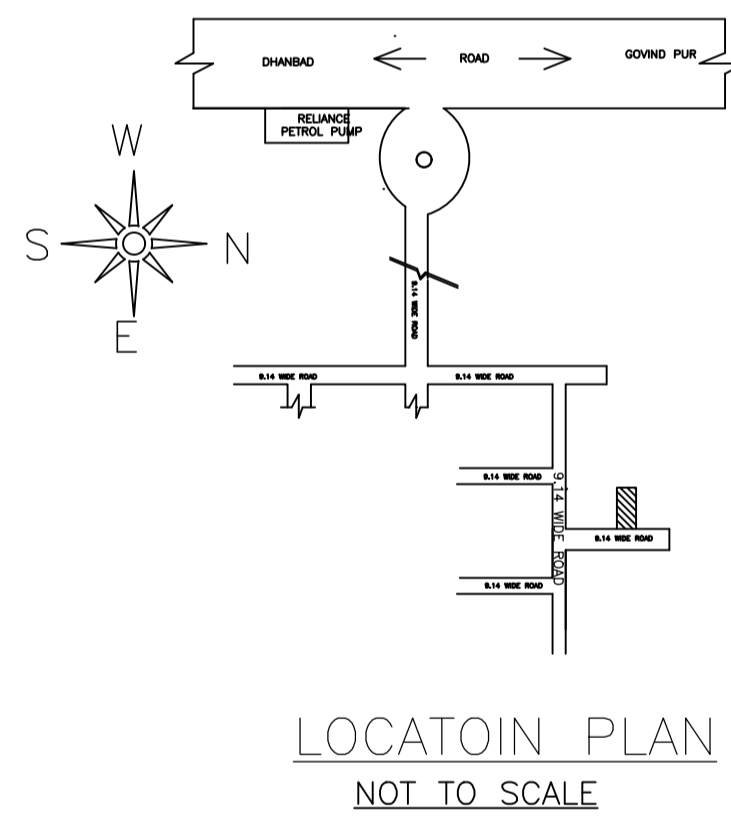
TERRACE FLOOR PLAN
(SCALE 1:100)



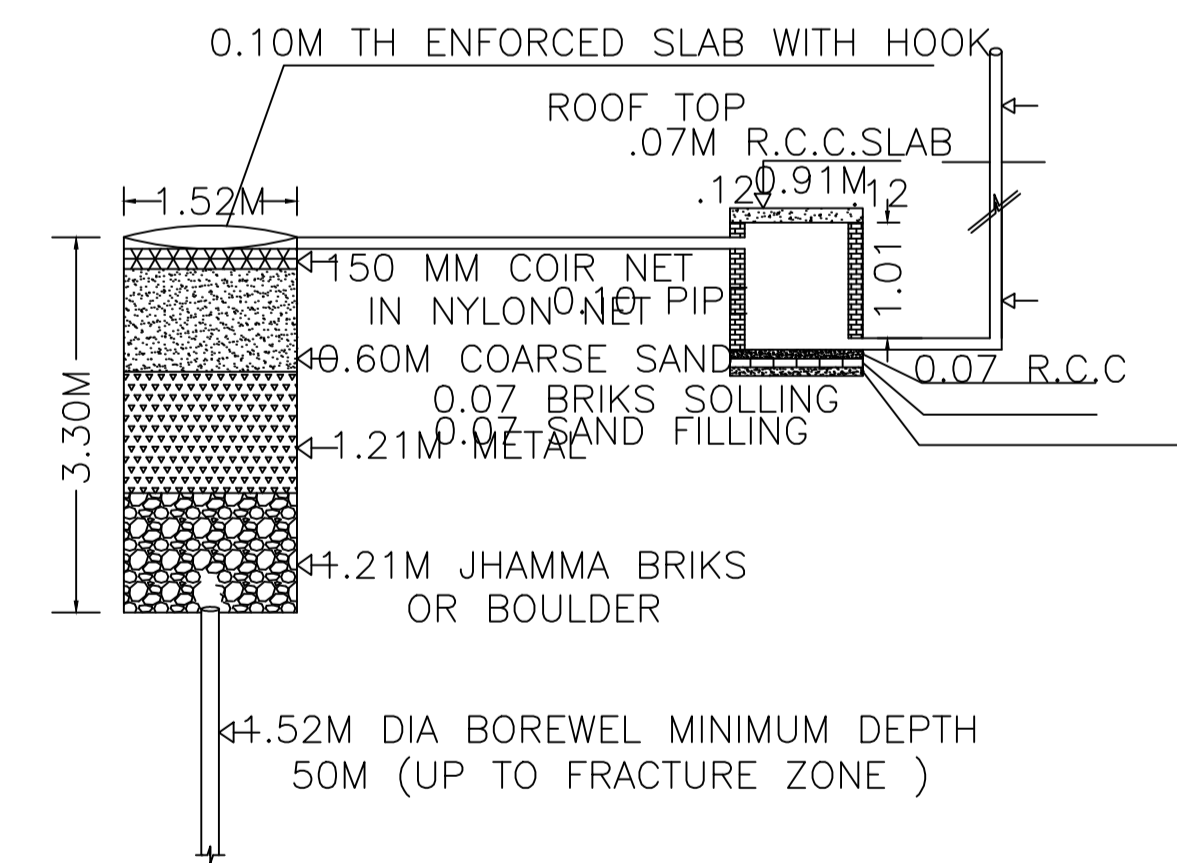
SECTION AT X-X



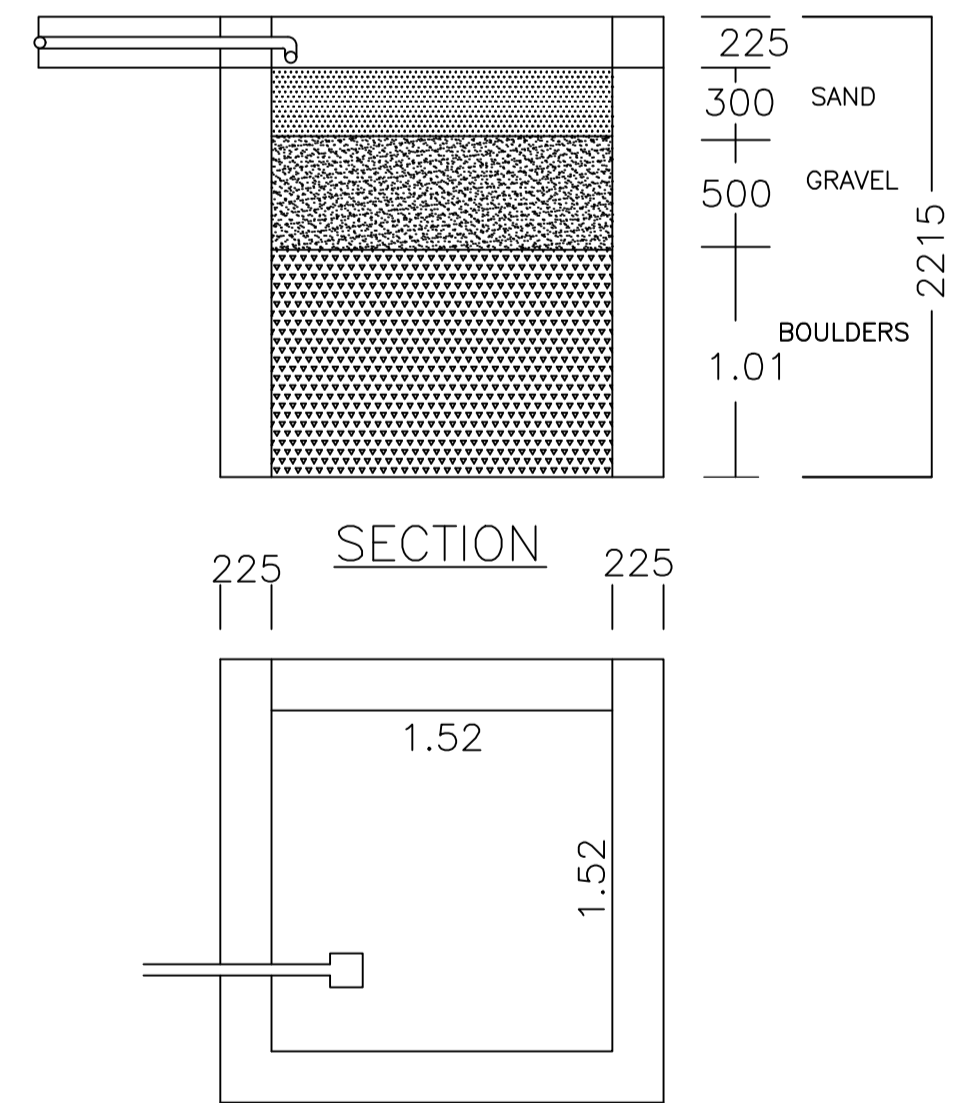
SECTION AT Y-Y



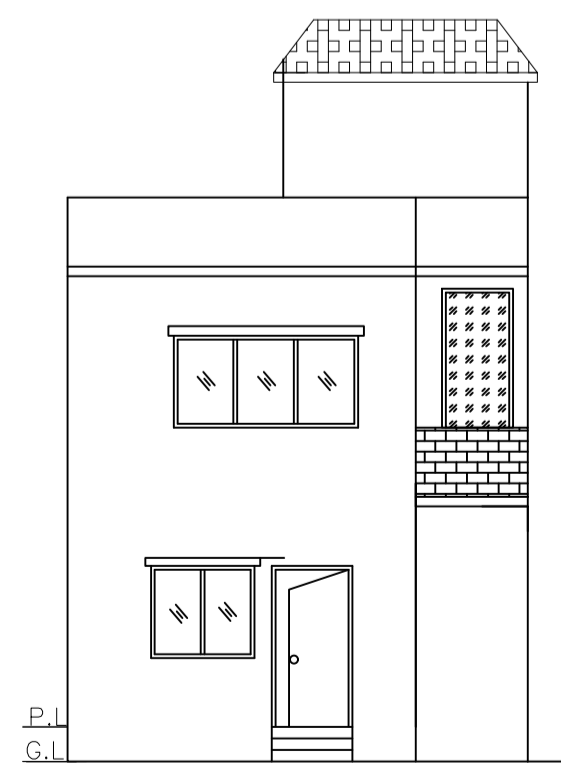
LOCATION PLAN
NOT TO SCALE



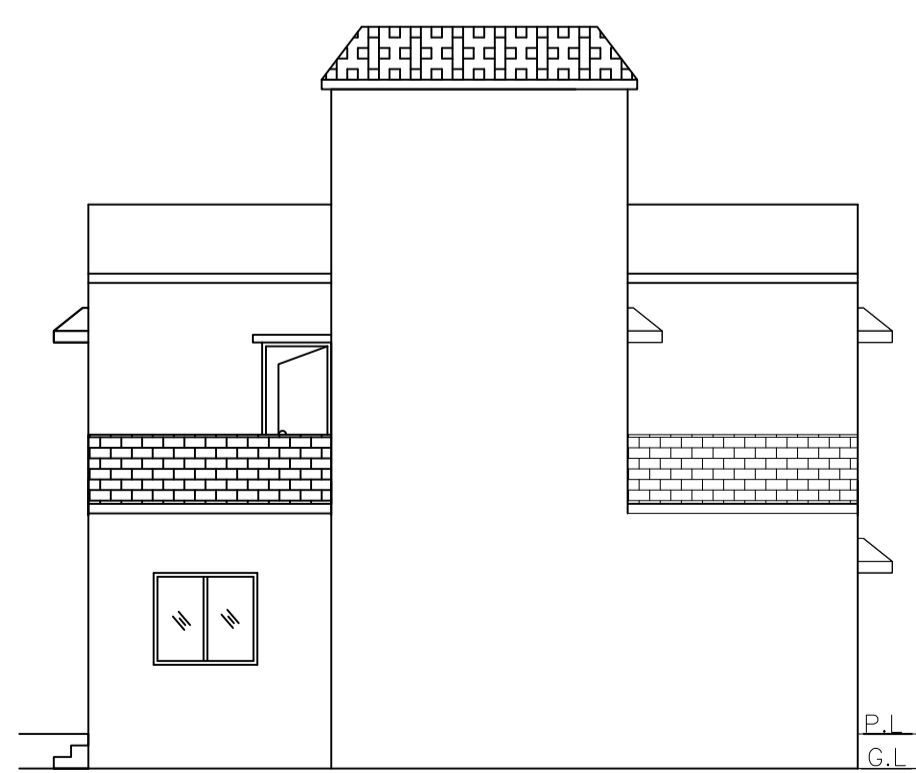
DETAIL OF GROUND WATER RECHARGING PIT WITH SILT TANK
NOT TO SCALE



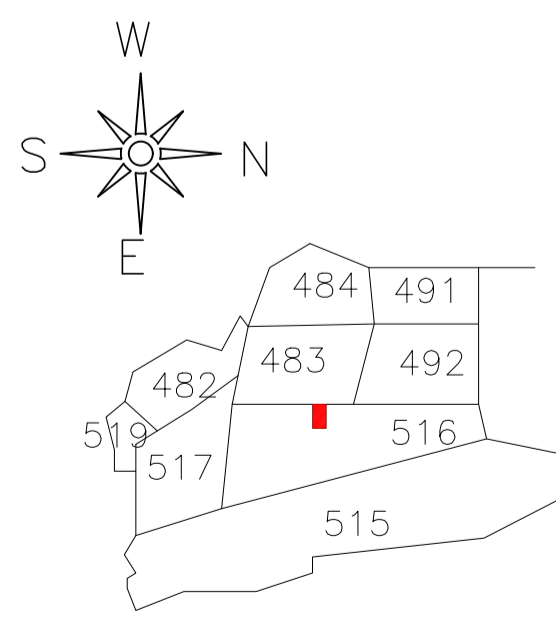
PLAN OF RAIN WATER HARVESTING
(SCALE: 1:25)



FRONT ELEVATION



RIGHT SIDE ELEVATION



KEY PLAN
NOT TO SCALE

LTP NAME AND SIGNATURE	STRUCTURAL ENG'S NAME AND SIGNATURE	BUILDER NAME AND SIGNATURE	DIGITAL SIGNATURE
ANIL KUMAR CHAUDHARY MADA/ENG/0005/2019			